

AN5612, AN5613

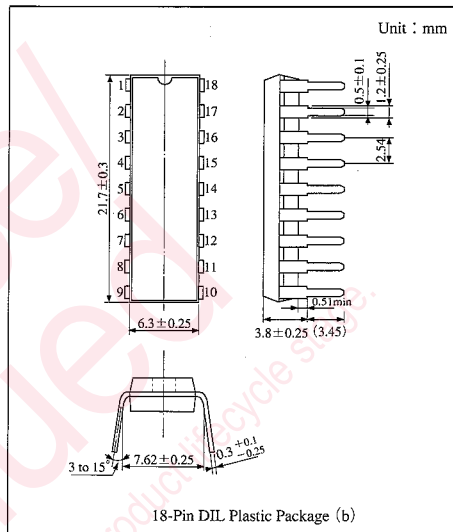
Video Signal, Chrominance Signal Processing ICs for Color TV

Overview

The AN5612 and the AN5613 are integrated circuits designed for color TV video signal and chrominance signal processing circuits.

Features

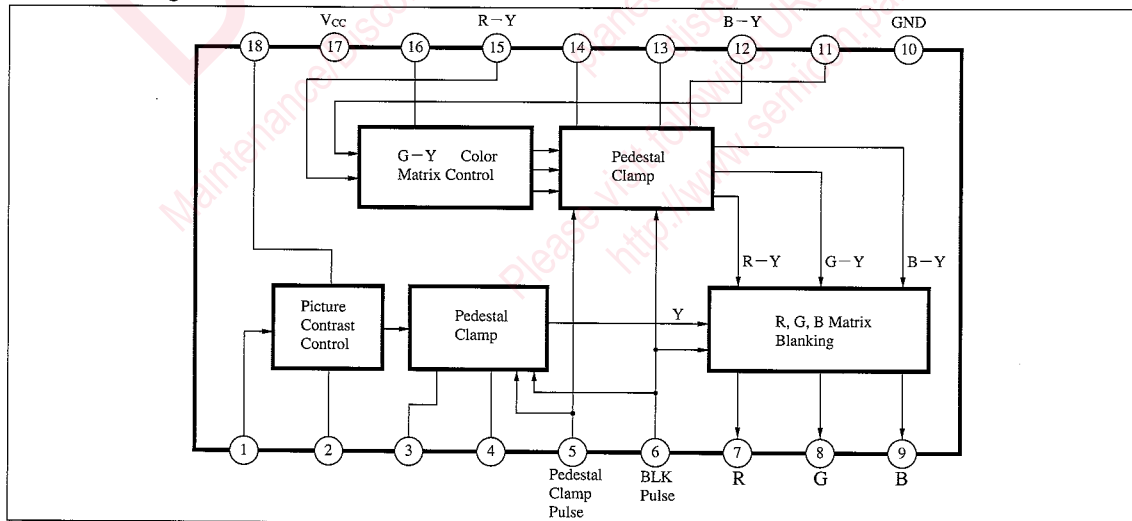
- Chrominance signal processing circuit for either PAL or SECAM system color TV receivers, which can be made by using the AN5612 or the AN5613 in combination with the AN5622 and the AN5630N
- PAL system : AN5612/AN5613, AN5622
- SECAM system : AN5612/AN5613, AN5622, AN5630N
- Incorporating luminance signal mixer circuit, they provide R.G.B. primary color output
- DC regeneration
AN5612...60% AN5613...100%



Pin Descriptions

Pin No.	Pin name	Pin No.	Pin name
1	Y signal input	10	GND
2	Picture control	11	B-Y clamp capacitor
3	Y clamp capacitor	12	B-Y signal input
4	Brightness control	13	G-Y clamp capacitor
5	Pedestal clamp pulse input	14	R-Y clamp capacitor
6	Blanking pulse input	15	R-Y signal input
7	R output	16	Color control
8	G output	17	V _{CC}
9	B output	18	Contrast control

Block Diagram



■ Absolute Maximum Ratings (Ta=25°C)

Parameter		Symbol	Rating		Unit
Voltage	Supply voltage	V _{CC}	14.4		V
	Circuit voltage	V ₄₋₁₀ , V ₁₆₋₁₀ , V ₁₈₋₁₀	V ₁₇₋₁₀	0	V
		V ₅₋₁₀ , V ₆₋₁₀	+6	-4	V
Current	Circuit current	I ₇ , I ₈ , I ₉	+7	-15	mA
		I ₁₁ , I ₁₃ , I ₁₄	+3	-3	mA
		Power dissipation (Ta=70°C)		P _D	800
Temperature	Operating ambient temperature	T _{opr}	-20 to +70		°C
	Storage temperature	T _{stg}	-55 to +155		°C

■ Electrical Characteristics (Ta=25°C)

Parameter		Symbol	Condition	min	typ	max	Unit
Total circuit current	I _{tot}	V _{CC} =12V	AN5612	28	38	48	mA
			AN5613	27	37	47	
Voltage gain (max. Video)	A _v	Sine wave 10kHz, 100mV _{rms} input, contrast max., picture min.		3.1	4.0	4.9	times
Contrast attenuation ratio (min.)	A _{Vmax} /A _{Vmin}	Sine wave 10kHz, 100mV _{rms} input, frequency when output/input is -3dB, picture min. (10kHz level assumed as 0dB)		0.15	0.19	0.26	times
Frequency characteristics (Video)	f _c	Sine wave 100mV _{rms} input, frequency when output/input is -3dB, picture min. (10kHz level assumed as 0dB)		6	—	—	MHz
DC transfer quantity	T _{DC}	Video input 1V _{P-P} (stair step), APL10 to 90%, B output	AN5612	46	—	60	%
			AN5613	90	96	100	
Color difference voltage amplification	B-Y	A _{V(B-Y)}	Sine wave 10kHz, 240mV _{P-P} , Pin ^⑩ output voltage gain for Pin ^⑫ input	5.1	6.6	7.9	times
	R-Y	A _{V(R-Y)}	Cosine wave 10kHz, 200mV _{P-P} , Pin ^⑦ for Pin ^⑮ input	5.1	6.6	7.9	times
G-Y color difference ratio	G-Y / B-Y	Sine wave 10kHz, 240mV _{P-P} , Pin ^⑫ input cosine wave 10kHz, 200mV _{P-P} , Pin ^⑧ output ratio to Pin ^⑨ output for Pin ^⑮ input		0.28	0.34	0.40	times
Demodulated color (G-Y)	∠(G-Y)	In G-Y/B-Y, phase difference between Pin ^⑧ output and Pin ^⑨ output		234	236	239	deg.
Color difference output voltage (max.)	e _o	Sine/cosine wave 10kHz, Pin ^⑦ or Pin ^⑨ output voltage at input 1.5V _{P-P}		5.5	6.5	7.6	V _{P-P}
Differential gain (Video Amp.)	DG	Superimpose 3.58MHz components at 10mV _{P-P} on the video part of stair step 1V _{P-P} for measurement with a vector-scope		—	—	6	%
Demodulation output DC voltage	E _{O(DC)}	V ₄ =8V, at non-input signal : RGB each outputs		1.3	1.9	2.4	V
E _{O(DC)} supply voltage dependency	ΔE _{O(DC)} / V _{CC}	V _{CC} =12V±20%, V ₇ =2.0V (V _{CC} =12V) R.G.B outputs		0.16	0.24	0.32	V/V
E _{O(DC)} ambient temperature dependency	ΔE _{O(DC)} / Ta	V ₇ =2.0V (Ta=25°C) Ta=-20 to +70°C, R.G.B outputs		-4	-2	+0.5	mV/°C
DC voltage difference between demodulation outputs	ΔE _{X-Y}	V ₇ =2.0V, output differential voltage for each of R.G.B		—	0	±300	mV
ΔE _{X-Y} supply voltage dependency	ΔE _{X-Y} / V _{CC}	V _{CC} =12V±20%, V ₇ =2.0V (V _{CC} =12V) for V _{CC} =12V		—	0	±100	mV
ΔE _{X-Y} ambient temperature dependency	ΔE _{X-Y} / Ta	V ₇ =2.0V (Ta=25°C), Ta=-20 to +70°C, for Ta=25°C		—	0	±100	mV
Pedestal clamp voltage	V _(clamp)	Pulse voltage for pedestal clamp operation		0.65	0.85	1.05	V
Blanking voltage	V _(BLK)	Pulse voltage for blanking operation		0.65	0.85	1.05	V



Request for your special attention and precautions in using the technical information and semiconductors described in this book

- (1) If any of the products or technical information described in this book is to be exported or provided to non-residents, the laws and regulations of the exporting country, especially, those with regard to security export control, must be observed.
- (2) The technical information described in this book is intended only to show the main characteristics and application circuit examples of the products. No license is granted in and to any intellectual property right or other right owned by Panasonic Corporation or any other company. Therefore, no responsibility is assumed by our company as to the infringement upon any such right owned by any other company which may arise as a result of the use of technical information described in this book.
- (3) The products described in this book are intended to be used for standard applications or general electronic equipment (such as office equipment, communications equipment, measuring instruments and household appliances).
Consult our sales staff in advance for information on the following applications:
 - Special applications (such as for airplanes, aerospace, automobiles, traffic control equipment, combustion equipment, life support systems and safety devices) in which exceptional quality and reliability are required, or if the failure or malfunction of the products may directly jeopardize life or harm the human body.
 - Any applications other than the standard applications intended.
- (4) The products and product specifications described in this book are subject to change without notice for modification and/or improvement. At the final stage of your design, purchasing, or use of the products, therefore, ask for the most up-to-date Product Standards in advance to make sure that the latest specifications satisfy your requirements.
- (5) When designing your equipment, comply with the range of absolute maximum rating and the guaranteed operating conditions (operating power supply voltage and operating environment etc.). Especially, please be careful not to exceed the range of absolute maximum rating on the transient state, such as power-on, power-off and mode-switching. Otherwise, we will not be liable for any defect which may arise later in your equipment.
 - Even when the products are used within the guaranteed values, take into the consideration of incidence of break down and failure mode, possible to occur to semiconductor products. Measures on the systems such as redundant design, arresting the spread of fire or preventing glitch are recommended in order to prevent physical injury, fire, social damages, for example, by using the products.
- (6) Comply with the instructions for use in order to prevent breakdown and characteristics change due to external factors (ESD, EOS, thermal stress and mechanical stress) at the time of handling, mounting or at customer's process. When using products for which damp-proof packing is required, satisfy the conditions, such as shelf life and the elapsed time since first opening the packages.
- (7) This book may be not reprinted or reproduced whether wholly or partially, without the prior written permission of our company.



LittleDiode supplies new, hard to find or obsolete electronic components and semiconductors all over the world.

With over two million different components listed you are sure to find the part you need.

Feel free to visit us today at our online store:

LittleDiode.com

Looking forward to providing you with the best possible service.