

AN6357N, AN6359N

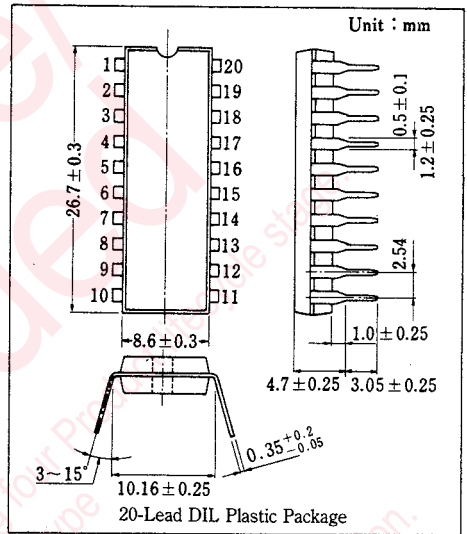
VTR Capstan Interface Circuits

Outline

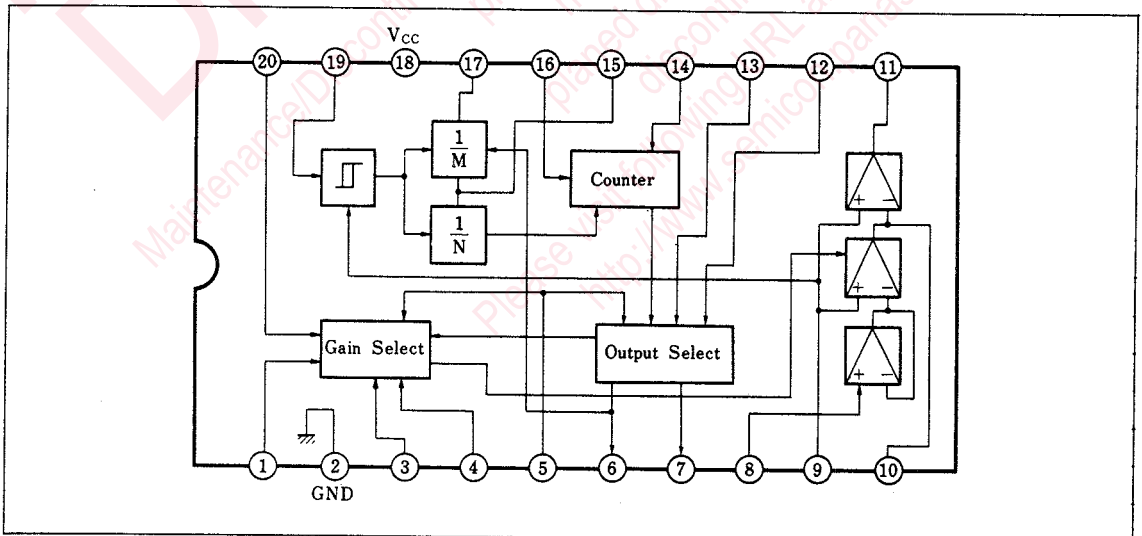
The AN6357N and AN6359N are integrated circuits designed for VTR capstan interface.

Features

- The functions consist of :
 - FG Amplifier
 - 2H/4H/6H automatic detector
 - FG divider
 - Gain automatic change circuit
- Supply voltage : 5V



Block Diagram



■ Pin

Pin No.	Pin Name	Pin No.	Pin Name
1	Mode Select B	11	Cap. Error Output
2	GND	12	REC./P.B. Select
3	Mode Select C	13	Rec.2/4/6 Select
4	Mode Select $\times \frac{1}{2}$	14	Memory
5	PAL/NTSC Select	15	FG Divide Select
6	B Output	16	P.B. CTL Input
7	A Output	17	Cap. FG Output
8	Cap. Error Input	18	V _{CC}
9	Reference Input	19	Cap. FG Input
10	OP Amp. Input	20	Mode Select A

■ Absolute Maximum Ratings (Ta=25°C)

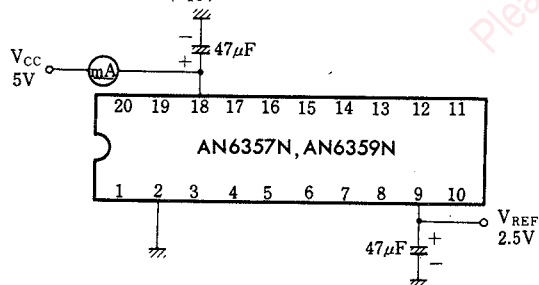
Item	Symbol	Rating	Unit
Supply voltage	V _{CC}	6.0	V
Power dissipation (Ta=70°C)	P _d	100	mW
Operating ambient temperature	T _{opr}	-20~+70	°C
Storage temperature	T _{stg}	-55~+150	°C

■ Electrical Characteristics (Ta=25°C±2°C)

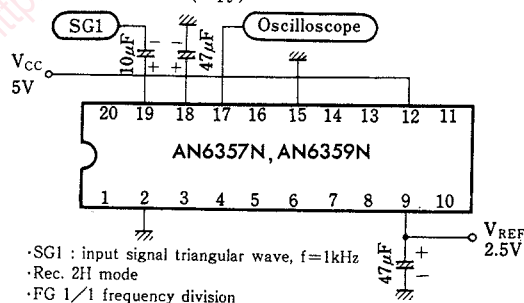
Item	Symbol	Test Circuit	Condition	min.	typ.	max.	Unit
Circuit current	I ₁₈	1	V _{CC} =5V V _{REF} =2.5V	7		14	mA
FG Amp. input sensitivity	S ₁₉	2	V _{CC} =5V	30			mV
FG high-level freq. dividing output	V _{OH17}	3	V _{CC} =5V	4.6			V
FG low-level freq. dividing output	V _{OL17}	3	V _{CC} =5V			0.4	V
A/B high-level output	V _{OHA, B}	4	V _{CC} =5V, -I=2mA	3.3			V
A/B low-level output	V _{OLA, B}	4	V _{CC} =5V			0.4	V
P.B. CTL input sensitivity	S ₁₆	5	V _{CC} =5V	3.0			V
Mode select sensitivity Rec./P.B. PAL/ MTSC. $\times \frac{1}{2}$, C, A, B	S _(Mode)	6	V _{CC} =5V	3.0			V
OP. Amp. 3 high-level output	V _{OH11}	7	V _{CC} =5V	3.8			V
OP. Amp. 3 low-level output	V _{OL11}	7	V _{CC} =5V			1.1	V
Total offset OP. Amp. NTSC 2H	V _{O(offset)2}	8	V _{CC} =5V			30	mV
Total offset OP. Amp. NTSC 6H	V _{O(offset)6}	8	V _{CC} =5V			30	mV
OP. Amp. 2 gain	G _{V2}	9	V _{CC} =5V	-4		+2	dB

Note) Operating supply range V_{CC(opr)}=4.5~5.5V

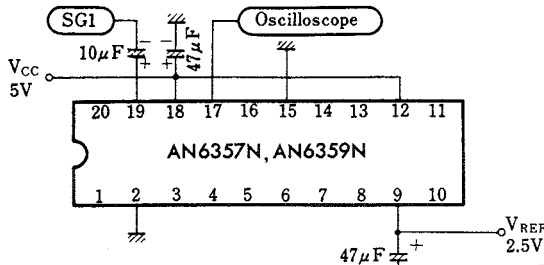
Test Circuit 1 (I₁₈)



Test Circuit 2 (S₁₉)

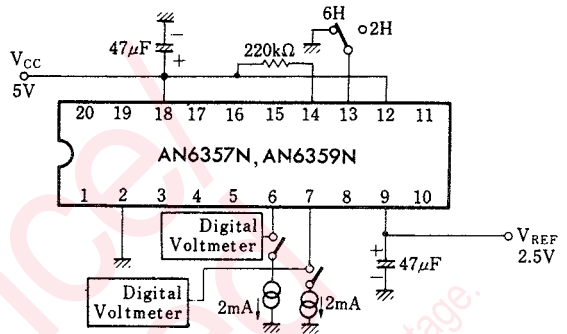


Test Circuit 3 (V_{OH17} , V_{OL17})



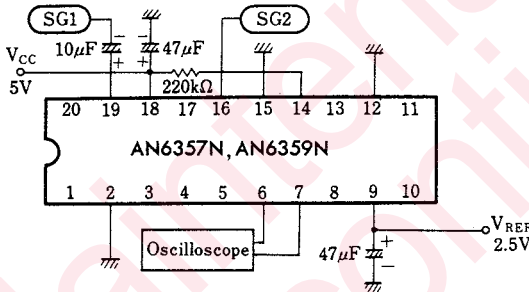
- SG1 input signal rectangular wave
- Rec. 2H mode
- FG 1/1 frequency division

Test Circuit 4 (V_{OHA} , V_{OHB} , V_{OLA} , V_{OLB})



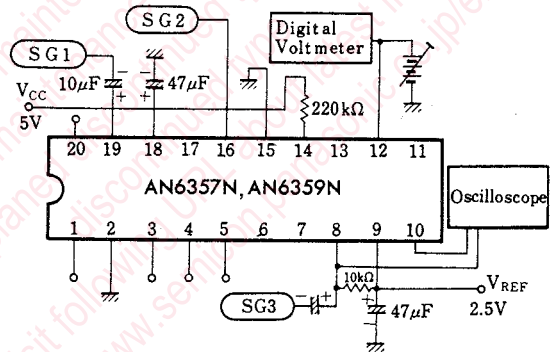
- V_{OHA} , V_{OLA} , Pin ⑦ output
- V_{OHB} , V_{OLB} , Pin ⑥ output
- ※Draw out a 2mA current from the Pins ⑦ and ⑥ in the Rec. 6H mode (Pin ⑬ GND), and measure high-level voltages (V_{OHA} , V_{OHB}) with a digital voltmeter.
- ※Measure the low levels (V_{OLA} , V_{OLB}) of the Pins ⑦ and ⑥ in the Rec. 2H mode (Pin ⑬ Open).

Test Circuit 5 (S_{16})



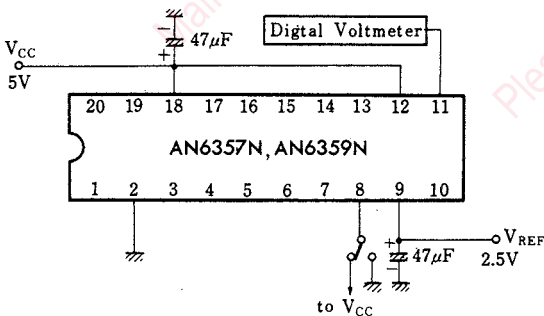
- SG1 input signal rectangular wave
f=2.4kHz, 100mV_{P-P}
- SG2 input signal rectangular wave
f=300Hz
- ※6H mode (Pins ⑥ and ⑦ at "H") when a sufficient large CTL signal is input, but forced 2H mode (Pins ⑥ and ⑦ at "L") when the CTL signal comes to below input sensitivity

Test Circuit 6 ($S_{(Mode)}$)

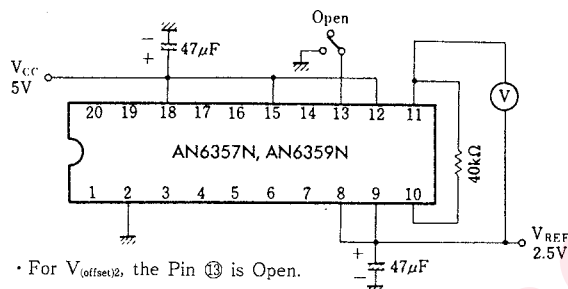


- SG1 input signal rectangular wave
f=250Hz, 100mV_{P-P}
- SG2 input signal rectangular wave
f=30Hz, 5V_{O-P}
- SG3 input signal sine wave
f=500Hz, 3V_{P-P}
- Use the oscilloscope in the X-Y mode.
- ※The left figure shows a Rec./PB select sensitivity test circuit. In the same manner as the Pin ⑩, measure the voltage, at which gain is switched, as to the other Pins.

Test Circuit 7 (V_{OH11} , V_{OL11})



Test Circuit 8 ($V_{O(\text{offset})2}$, $V_{O(\text{offset})6}$)



- For $V_{O(\text{offset})2}$, the Pin ⑬ is Open.
- For $V_{O(\text{offset})6}$, the Pin ⑬ is GND.

Function Description

1. Capstan FG Frequency Dividing Function

By setting the frequency division selector Pin ⑬, an input FG signal can be frequency-divided as shown in the table below:

Mode	Pin ⑬	Vcc	Open	GND
NTSC	2 H	1/2	1/2	1/4
	4 H	1/2	1/2	1/4
	6 H	1/4	1/2	1/4
PAL	3 H	1/2	1/2	1/4
	6 H	1/4	1/2	1/4

2. Recording Mode Automatic Detecting Function

In playing back a recorded tape, this function can automatically detect the tape recording mode and play back the tape in the same mode as when recording. The top of the table below shows input FG frequencies in the regular state of each mode, and the bottom shows threshold values for automatic selection.

(1) AN6357N

Pin ⑬	NTSC			PAL	
	2 H	4 H	6 H	3 H	6 H
Vcc	2160	1080	720	1515	757.5
Open	1440	720	480	1010	505
GND	720	360	240	505	252.5
	490	310		410	

The detection output above is made from output in accordance with the table below:

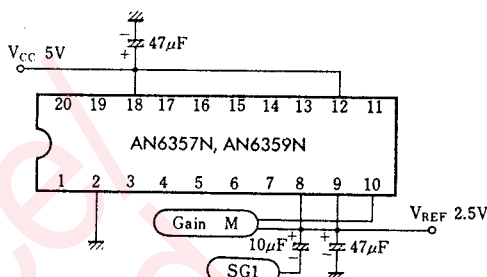
Output	NTSC			PAL	
	2 H	4 H	6 H	3 H	6 H
A ₀ (Pin ⑦)	L	H	H	H	H
B ₀ (Pin ⑥)	L	L	H	L	H

The detection output above is made from Output in accordance with the table below:

Time	Special Mode	× 1/2		Normal		C		B		A	
		Multipliei	dB	Multipliei	dB	Multipliei	dB	Multipliei	dB	Multipliei	dB
NTSC	2H	0.4	-7.76	1.0	0	2.45	7.78	5.3	14.5	11.0	20.8
	4H	0.2	-14.0	0.5	-6.02	1.23	1.76	2.65	8.46	5.5	14.8
	6H*1	0.072	-22.8	0.182	14.8	0.445	-7.02	0.964	-0.322	2.0	6.02
	6H*2	0.267	-11.5	0.667	-3.52	1.63	4.26	3.53	11.0	7.33	17.3
PAL	3H	0.4	-7.96	1.0	0	2.45	7.78	5.3	14.5	11.0	20.8
	6H	0.2	-14.0	0.5	-6.02	1.23	1.76	2.65	8.46	5.5	14.8

- * 1 Pin ⑬ as either GND or Open
- * 2 Pin ⑬ as Vcc
- * The left table shows design specifications.

Test Circuit 9 (G_{V2})



- For V_{OFF2} , the Pin ⑬ is Open.
- For V_{OFF6} , the Pin ⑬ is GND.

• SGI input signal sine wave $f=500\text{Hz}$, $1V_{P-P}$

(2) AN6359N

Pin ⑬	NTSC			PAL	
	2 H	4 H	6 H	3 H	6 H
Vcc	1080	540	360	758	379
Open	720	360	240	505	252.5
GND	360	180	120	253	126.5
	245	155		205	

NTSC 30 Hz, PAL 25 Hz for a PB CTL signal

3. Memory Function

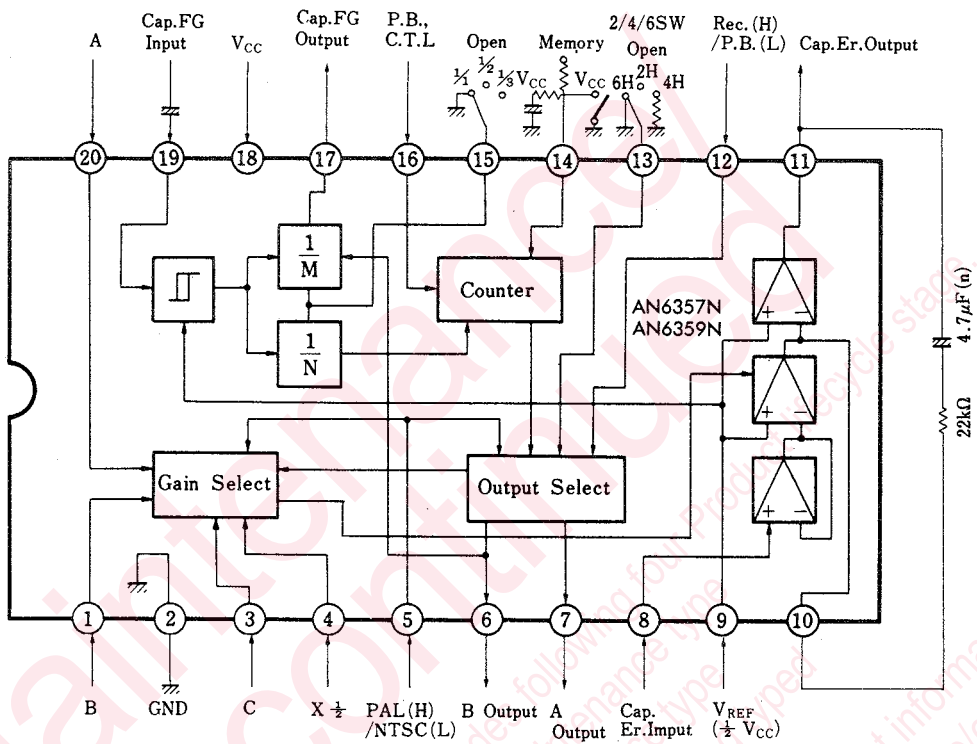
The playback mode when the Pin ⑬ is set can be stored by setting the Pin ⑬ to Low at playback time. This can be used for special playback such as still, slow, etc.

4. Capstan Loop Gain Correcting Function

A capstan speed control loop gain correction circuit is incorporated. By externally setting PAL or NTSC, this function automatically corrects a gain in accordance with the recording or playback time mode. For special playback, 4 kinds of gains other than Normal can be set. The table below shows how to set for a special mode selection.

Mode	Pin No.	4 (× 1/2)	3 (C)	1 (B)	20 (A)
1/2 (Slow)		H	×	×	×
Normal		L	L	L	L
C (X2-X3)		L	H	L	L
B (X4-X7)		L	×	H	L
A (X8-X15)		L	×	×	H

■ Application Circuit



Request for your special attention and precautions in using the technical information and semiconductors described in this book

- (1) If any of the products or technical information described in this book is to be exported or provided to non-residents, the laws and regulations of the exporting country, especially, those with regard to security export control, must be observed.
- (2) The technical information described in this book is intended only to show the main characteristics and application circuit examples of the products. No license is granted in and to any intellectual property right or other right owned by Panasonic Corporation or any other company. Therefore, no responsibility is assumed by our company as to the infringement upon any such right owned by any other company which may arise as a result of the use of technical information described in this book.
- (3) The products described in this book are intended to be used for standard applications or general electronic equipment (such as office equipment, communications equipment, measuring instruments and household appliances).
Consult our sales staff in advance for information on the following applications:
 - Special applications (such as for airplanes, aerospace, automobiles, traffic control equipment, combustion equipment, life support systems and safety devices) in which exceptional quality and reliability are required, or if the failure or malfunction of the products may directly jeopardize life or harm the human body.
 - Any applications other than the standard applications intended.
- (4) The products and product specifications described in this book are subject to change without notice for modification and/or improvement. At the final stage of your design, purchasing, or use of the products, therefore, ask for the most up-to-date Product Standards in advance to make sure that the latest specifications satisfy your requirements.
- (5) When designing your equipment, comply with the range of absolute maximum rating and the guaranteed operating conditions (operating power supply voltage and operating environment etc.). Especially, please be careful not to exceed the range of absolute maximum rating on the transient state, such as power-on, power-off and mode-switching. Otherwise, we will not be liable for any defect which may arise later in your equipment.
 - Even when the products are used within the guaranteed values, take into the consideration of incidence of break down and failure mode, possible to occur to semiconductor products. Measures on the systems such as redundant design, arresting the spread of fire or preventing glitch are recommended in order to prevent physical injury, fire, social damages, for example, by using the products.
- (6) Comply with the instructions for use in order to prevent breakdown and characteristics change due to external factors (ESD, EOS, thermal stress and mechanical stress) at the time of handling, mounting or at customer's process. When using products for which damp-proof packing is required, satisfy the conditions, such as shelf life and the elapsed time since first opening the packages.
- (7) This book may be not reprinted or reproduced whether wholly or partially, without the prior written permission of our company.



LittleDiode supplies new, hard to find or obsolete electronic components and semiconductors all over the world.

With over two million different components listed you are sure to find the part you need.

Feel free to visit us today at our online store:

LittleDiode.com

Looking forward to providing you with the best possible service.