

AN6368, AN6368S

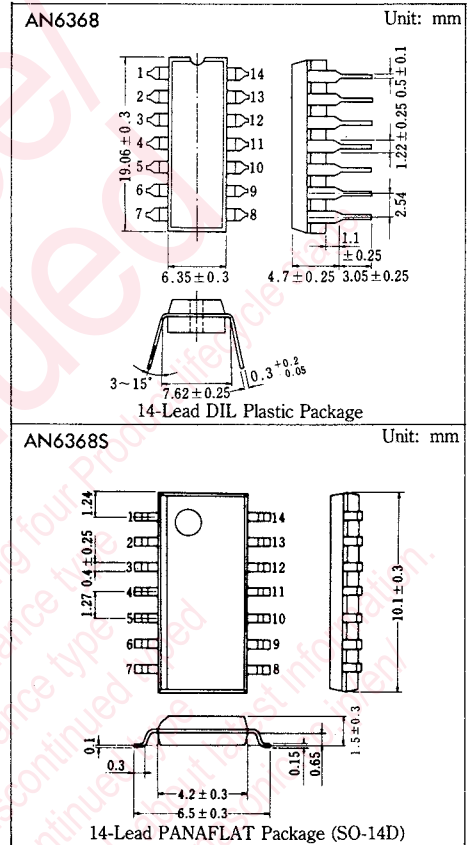
VTR PAL/SECAM Signal Detector Circuits

Outline

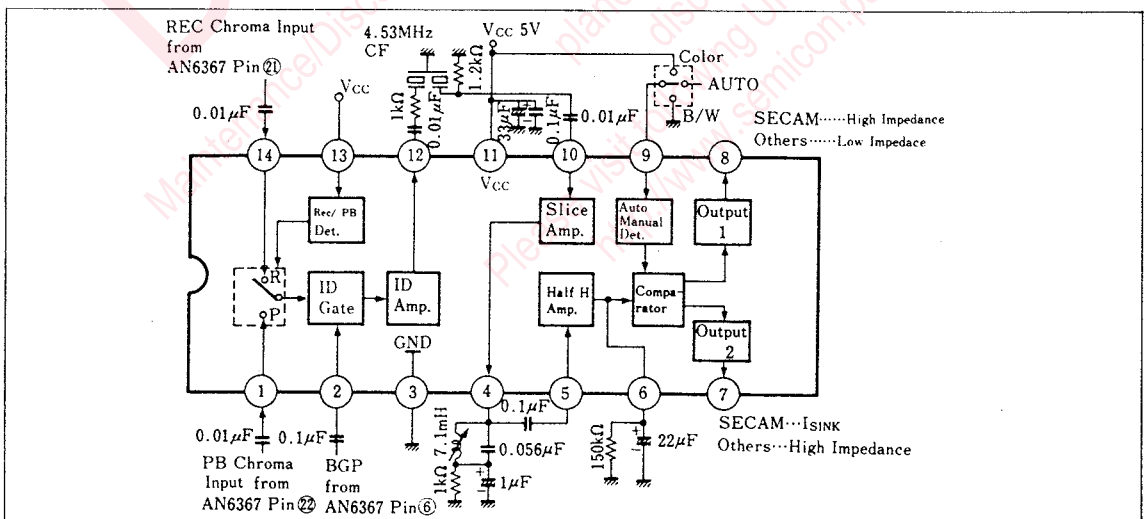
The AN6368 and The AN6368S are integrated circuits provided with the function which discriminates PAL/ SECAM and generates a control signal when constituting a VTR color signal processing circuit with the AN6367 or the MN6163A.

Features

- Built-in REC/PB input selection switch
- Burst gate pulse can be directly connected from the MN6163A
- Output the control signals for the AN6367 and the MN6136A
- Built-in automatic/manual switch



Block Diagram



■ Pin

Pin No.	Pin Name	Pin No.	Pin Name
1	PB Chroma Input	8	SECAM/Others Det. Output(1)
2	Burst Gate Pulse Input	9	Auto/Manual Switch
3	GND	10	Slice Amp. Input
4	0.5f _H Tuning Output	11	V _{CC}
5	0.5f _H Amp. Input	12	ID Gate Signal Input
6	Sample & Hold Terminal	13	Rec./PB Switching Signal Input
7	SECAM/Others Det. Output(2)	14	Rec. Chroma Input

■ Absolute Maximum Ratings (T_a=25°C) T_a=25°C

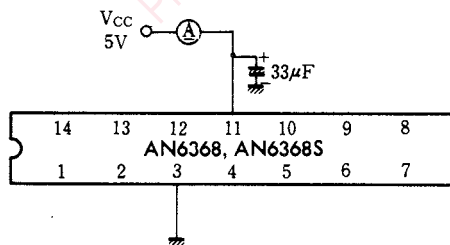
Item	Symbol	Rating	Unit
Supply voltage	V _{CC}	6	V
Power dissipation	P _D	70	mW
Operating ambient temperature	T _{opr}	-20~+70	°C
Storage temperature	T _{stg}	-40~+150	°C

■ Electrical Characteristics (T_a=25°C)

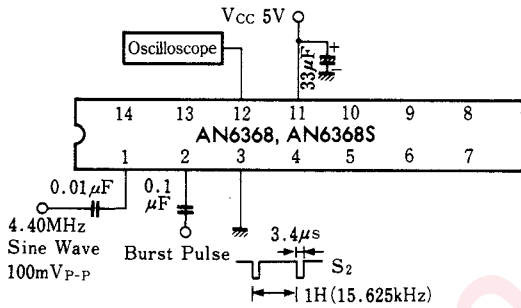
Item	Symbol	Test Circuit	Condition	min.	typ.	max.	Unit
Circuit current	I _{CC}	1	V _{CC} =5V	4.3	6.3	8.3	mA
Burst gate pulse input sensitivity	S ₂	2	V _{CC} =5V	0.6		2.2	V _{P-P}
ID amp. gain	G _{V-12}	2	V _{CC} =5V, Input 4.4MHz 100mV _{P-P}	17		22	dB
REC select voltage	V _{REC}	3	V _{CC} =5V	3.5		5	V
PB select voltage	V _{PB}	3	V _{CC} =5V	0		1.5	V
ID amp. cross talk	CT ₁₂	3	V _{CC} =5V, Input 4.4MHz 100mV _{P-P}			-40	dB
Forced color input voltage	V _{H-9}	4	V _{CC} =5V	4.6		5	V
Forced monochrome input voltage	V _{L-9}	5	V _{CC} =5V	0		0.5	V
Discrimination output 1 SECAM output voltage	V _{H-8}	4	V _{CC} =5V, 1mA	3.5		5	V
Discrimination output 1 monochrome output voltage	V _{L-8}	5	V _{CC} =5V, 1mA	0		1.5	V
Discrimination output 2 SECAM lead-in current	I _{S-7}	4	V _{CC} =5V, V ₇ =2V	0.2	0.5	0.8	mA
Discrimination output 2 monochrome leak current	I _{L-7}	5	V _{CC} =5V, V ₇ =2V		0	5	μA
Comparator SECAM discrimination voltage	V _{H-6}	6	V _{CC} =5V	3.1		5	V
Comparator monochrome discrimination voltage	V _{L-6}	6	V _{CC} =5V	1		2.5	V

Note) Operating supply voltage range: V_{CC(oper)}=4.5~5.5V

Test Circuit 1 (I_{CC})



Test Circuit 2 (S_2 , G_{V-12})



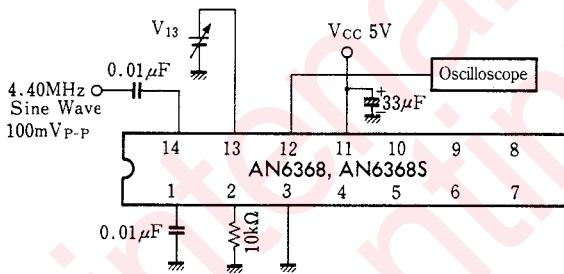
- S_2 : Pin ⑫ input amplitude for a signal of about 900 mVp-p to be output to the Pin ⑬ as shown below



- G_{V-12}

$$G_{V-12} = \frac{\text{Pin ⑬ Burst Amplitude}}{\text{Pin ⑫ Input Amplitude}} \quad (100\text{mV}_{pp})$$

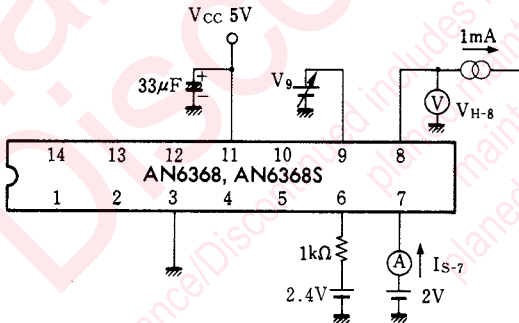
Test Circuit 3 (V_{REC} , V_{PB} , CT_{12})



- V_{REC} : V_{13} voltage when V_{13} is changed and a signal of about 900 mVp-p is output to the Pin ⑬
- V_{PB} : V_{13} voltage when V_{13} is changed and nothing is output to the Pin ⑬
- CT_{12} : Output amplitude ratio of the Pin ⑬ when V_{13} is changed

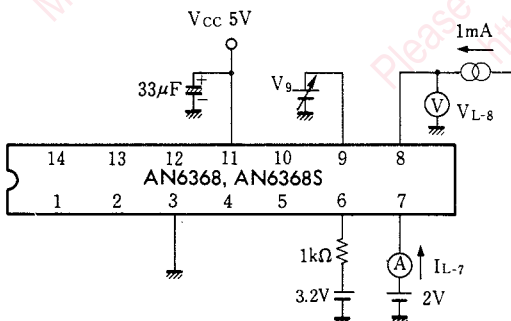
$$CT_{12} = \frac{V_{12}(\text{at } V_{PB})}{V_{12}(\text{at } V_{REC})}$$

Test Circuit 4 (V_{H-9} , V_{H-8} , I_{S-7})



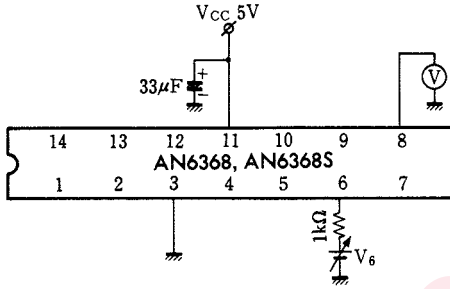
- V_{H-9} : V_9 value when V_9 is changed and a Pin ⑧ voltage becomes 3.5 V or higher
- V_{H-8} , V_{S-7} : Value when a Pin ⑧ voltage V_9 is 4 V

Test Circuit 5 (V_{L-9} , V_{L-8} , I_{L-7})



- V_{L-9} : V_9 value when V_9 is changed and a Pin ⑧ voltage becomes 1.5 V or less
- V_{L-8} , V_{L-7} : Value when the Pin ⑧ voltage V_9 is 1 V

Test Circuit 6 (V_{H-6} , V_{L-6})



- V_{H-6} : V_6 value when V_6 is changed and a Pin ⑥ voltage becomes 3.5 V or higher
- V_{L-6} : V_6 value when V_6 is changed and the Pin ⑥ voltage becomes 1.5 V or lower

■ Precautions for Use

- 1) Allowable supply voltage : $V_{CC}=4.5$ to 5.5 V
 - 2) This is a SECAM signal discriminating IC when using the AN6367 and the MN6163 in a VTR for PAL/ pseudo SECAM.
 - 3) Burst gate pulses are input from the Pin ②. However, since an input circuit's discrimination point is $1/2 V_{CC}$, input an amplitude which makes a pulse width $1/V_{CC}$.
- Note) Do not directly connect the Pin ⑬ of the MN6163.

5) Half H frequency adjustment

For Pin ⑥ external LC, select an LC value which allows $\frac{f_H}{2} = \frac{1}{2\pi\sqrt{LC}}$.

6) AUTO/MANUAL selection

SECAM discrimination is selected with Pin ⑨. This IC determination is output in Pin ⑨ Open state.

7) For an input chroma signal ;

- Input an AN6367 Pin ② signal to the Pin ⑭ of this IC when recording.
- Input an AN6367 Pin ② signal to the Pin ① of this IC when playing back.

8) Connect Pin ⑦ discrimination output 2 to the AN6367 Pin ⑩.

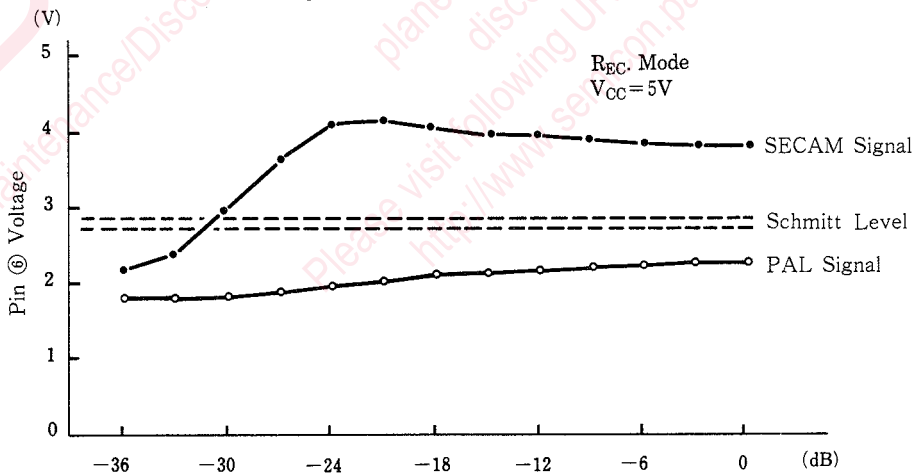
This turns off the AN6367 Killer in case of SECAM.

9) Pin ⑧ discrimination output 1 is push-pull output. Use as a SECAM discrimination signal.



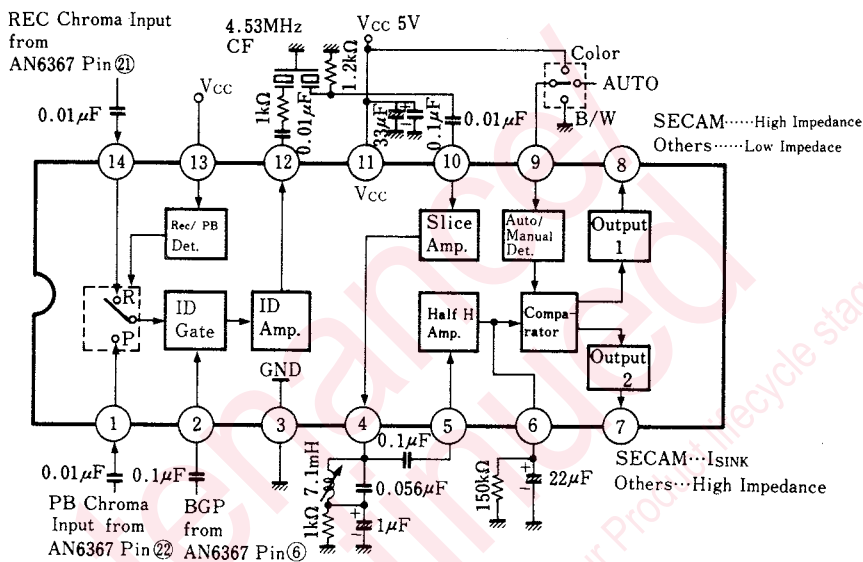
- 4) A Pin ⑫ output discriminating filter should have the following specifications :
 - ①Center : 4.53 MHz
 - ②Insertion loss : 8 dB or less
 - ③Attenuation : 20 dB or less (output difference between 4.40 MHz and 4.25 MHz)

Example of Discrimination Characteristic



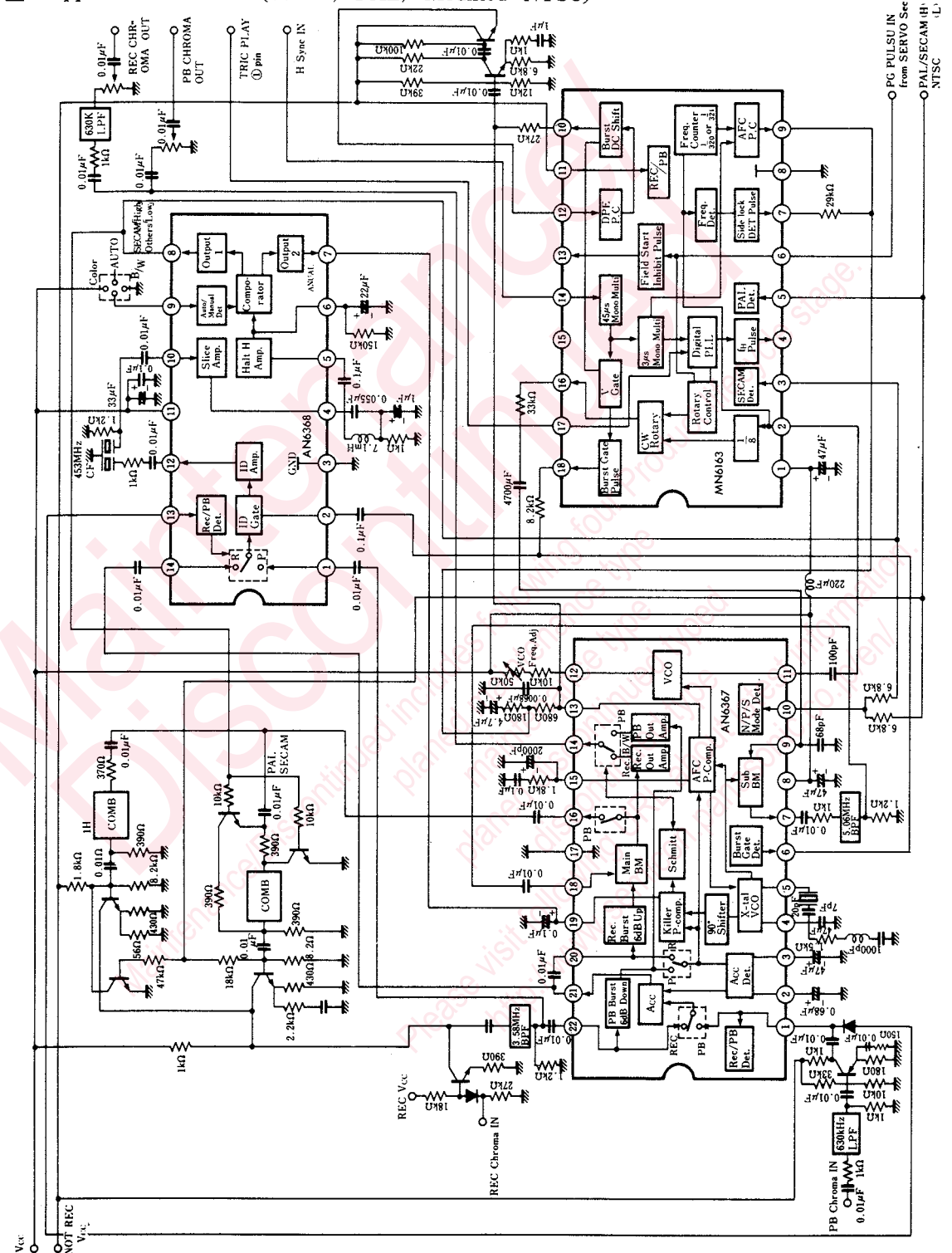
AN6367 Pin ② Input Amplitude (0 dB=Burst, 100 mVp-p)

■ Application Circuit



Main Discontinued
 Maintenance/Discontinued includes following four Product lifecycle stage.
 planned maintenance type
 maintenance type
 planned discontinued type
 discontinued type
 Please visit following URL about latest information.
<http://www.semicon.panasonic.co.jp/en/>

Application Circuit (NTSC, PAL, Modified NTSC)



Request for your special attention and precautions in using the technical information and semiconductors described in this book

- (1) If any of the products or technical information described in this book is to be exported or provided to non-residents, the laws and regulations of the exporting country, especially, those with regard to security export control, must be observed.
- (2) The technical information described in this book is intended only to show the main characteristics and application circuit examples of the products. No license is granted in and to any intellectual property right or other right owned by Panasonic Corporation or any other company. Therefore, no responsibility is assumed by our company as to the infringement upon any such right owned by any other company which may arise as a result of the use of technical information described in this book.
- (3) The products described in this book are intended to be used for standard applications or general electronic equipment (such as office equipment, communications equipment, measuring instruments and household appliances).
Consult our sales staff in advance for information on the following applications:
 - Special applications (such as for airplanes, aerospace, automobiles, traffic control equipment, combustion equipment, life support systems and safety devices) in which exceptional quality and reliability are required, or if the failure or malfunction of the products may directly jeopardize life or harm the human body.
 - Any applications other than the standard applications intended.
- (4) The products and product specifications described in this book are subject to change without notice for modification and/or improvement. At the final stage of your design, purchasing, or use of the products, therefore, ask for the most up-to-date Product Standards in advance to make sure that the latest specifications satisfy your requirements.
- (5) When designing your equipment, comply with the range of absolute maximum rating and the guaranteed operating conditions (operating power supply voltage and operating environment etc.). Especially, please be careful not to exceed the range of absolute maximum rating on the transient state, such as power-on, power-off and mode-switching. Otherwise, we will not be liable for any defect which may arise later in your equipment.
 - Even when the products are used within the guaranteed values, take into the consideration of incidence of break down and failure mode, possible to occur to semiconductor products. Measures on the systems such as redundant design, arresting the spread of fire or preventing glitch are recommended in order to prevent physical injury, fire, social damages, for example, by using the products.
- (6) Comply with the instructions for use in order to prevent breakdown and characteristics change due to external factors (ESD, EOS, thermal stress and mechanical stress) at the time of handling, mounting or at customer's process. When using products for which damp-proof packing is required, satisfy the conditions, such as shelf life and the elapsed time since first opening the packages.
- (7) This book may be not reprinted or reproduced whether wholly or partially, without the prior written permission of our company.



LittleDiode supplies new, hard to find or obsolete electronic components and semiconductors all over the world.

With over two million different components listed you are sure to find the part you need.

Feel free to visit us today at our online store:

LittleDiode.com

Looking forward to providing you with the best possible service.