



■ Absolute Maximum Ratings (Ta=25°C)

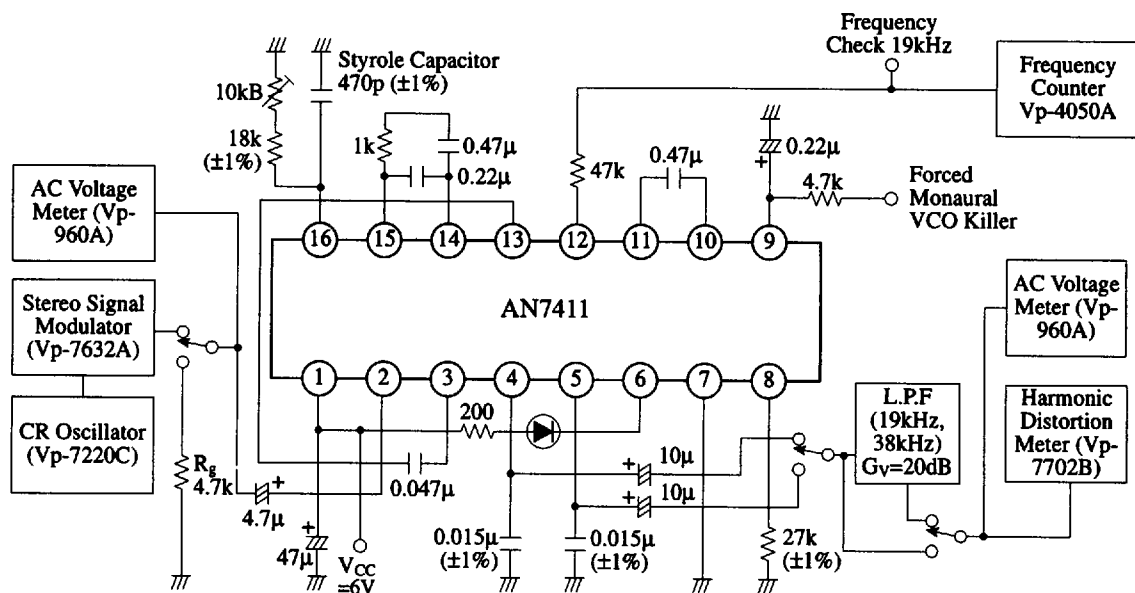
Item	Symbol	Rating	Unit
Supply Voltage	V <sub>CC</sub>	14.4	V
Terminal Voltage	V <sub>6-7</sub>	14.4	V
Circuit Current	I <sub>G</sub>	75	mA
Power Dissipation	P <sub>D</sub>	360	mW
Operating Ambient Temperature	Topr	-20 ~ +75	°C
Storage Temperature	Tstg	-55 ~ +125	°C

Operating Supply Voltage Range: V<sub>CC</sub> = 3.6V ~ 14.4V

■ Electrical Characteristics (V<sub>CC</sub>=6V, Ta=25°C)

Item	Symbol	Condition	min.	typ.	max.	Unit
Total Current	I <sub>tot</sub>	V <sub>in</sub> = 0mV	9	13	17	mA
Separation	Sep	V <sub>(L+R)</sub> = 135mV, f <sub>m</sub> = 1kHz, V <sub>p</sub> = 15mV	30	45		dB
Total Harmonic Distortion (Stereo)	THD			0.07	0.3	%
Total Harmonic Distortion (Monaural)	THD			0.07	0.3	%
Output Voltage(Monaural)	V <sub>O</sub>	V <sub>in</sub> = 150mV, f <sub>m</sub> = 1kHz	135	155	180	mV
Channel Balance(Monaural)	CB		-1	0	+1	dB
Stereo Lamp ON Level	V <sub>p(ON)</sub>	Pilot signal (19kHz)	3.5	5.5	7.5	mV

Test Circuit (De-emphasis: approximately 75µs)



Note 1) VCO free-run frequency is adjusted to 19kHz (±10Hz) with frequency check terminal.

Note 2) Outer component should be in less than (±5%) unless otherwise specified.

L.P.F. (3L-13) is a filter amplifier with gain 20dB manufactured by Koringiken.





LittleDiode supplies new, hard to find or obsolete electronic components and semiconductors all over the world.

With over two million different components listed you are sure to find the part you need.

Feel free to visit us today at our online store:

[LittleDiode.com](http://LittleDiode.com)

Looking forward to providing you with the best possible service.