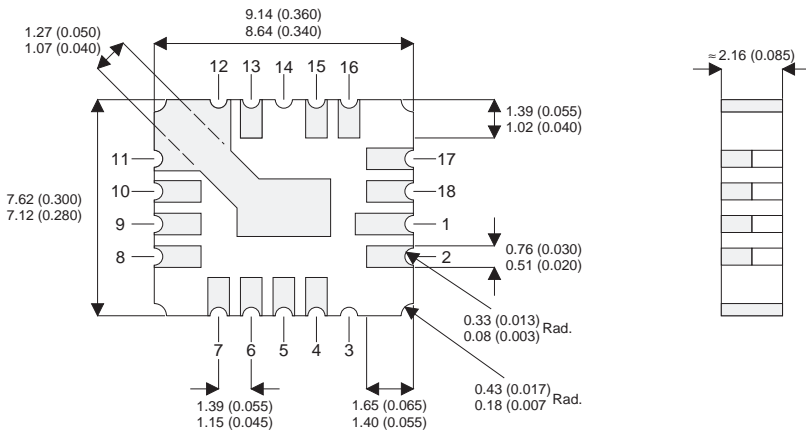


MECHANICAL DATA

Dimensions in mm (inches)



**N-CHANNEL
POWER MOSFET**

$V_{DSS} = 100V$
 $I_D = 7.4A$
 $R_{DS(ON)} = 0.18\Omega$

FEATURES

- Hermetically sealed ceramic surface mount package
- Small footprint
- Simple drive requirements

LCC4 CERAMIC SURFACE MOUNT PACKAGE

Underside View

Pads 6, 7, 8, 9, 10, 11, 12, 13. **Source**
 Pads 4,5 **Gate**
 Pads 1,2,15,16,17,18 **Drain**
 Pads 3,14 **Not Connected**

ABSOLUTE MAXIMUM RATINGS ($T_{case} = 25^\circ C$ unless otherwise stated)

V_{DS}	Drain-Source Voltage	100V
V_{DGR}	Drain-Gate Voltage ($V_{GS} = 1.0m\Omega$)	100V
V_{GS}	Gate-Source Voltage	$\pm 20V$
I_D	Drain Current Continuous	7.4A
I_{DM}	Drain Current Pulsed	30A
P_D	Total Device Dissipation @ $T_C = 25^\circ C$	22W
	Derate above $25^\circ C$	0.17°C/W
T_J, T_{STG}	Operating and Storage Junction Temperature Range	-55 to +150°C

THERMAL CHARACTERISTICS

$R_{\theta JC}$	Thermal Resistance Junction to Case	5.0°CW
$R_{\theta JA}$	Thermal Resistance Junction to Ambient	175°CW
T_L	Maximum Lead Temperature 1.5mm from Case for 10 secs.	300°C

Parameter	Test Conditions	Min.	Typ.	Max.	Unit
OFF CHARACTERISTICS					
$V_{(BR)DSS}$ Drain–Source Breakdown Voltage	$V_{GS} = 0$ $I_D = 0.25mA$	100			V
I_{DSS} Zero Gate Voltage Drain Current	$V_{DS} = \text{Rated } V_{DS}$ $V_{GS} = 0$			250	μA
	$V_{DS} = 80V$ $V_{GS} = 0A$ $T_J = 125^\circ C$			1000	
I_{GSSF} Gate–Body Leakage, Forward	$V_{DS} = 0$ $V_{GS} = 20V$			100	nA
I_{GSSR} Gate–Body Leakage, Reverse	$V_{DS} = 0$ $V_{GS} = -20V$			-100	
ON CHARACTERISTICS					
$V_{GS(th)}$ Gate Threshold Voltage	$V_{DS} = V_{GS}$ $I_D = 0.5mA$	2		4	V
$R_{DS(on)}$ Static Drain–Source On–Resistance	$V_{GS} = 10V$ $I_D = 4.7A$ $T_A = 125^\circ C$			0.18	Ω
				0.35	
$V_{DS(on)}$ Drain–Source On–Voltage	$V_{GS} = 15V$ $I_D = 7.4A$			1.56	V
g_{fS} Forward Transconductance	$V_{GS} = 15V$ $I_D = 4.7A$	3		9	mhos
DYNAMIC CHARACTERISTICS					
C_{iss} Input Capacitance	$V_{DS} = 25V$ $V_{GS} = 0$ $f = 1.0MHz$	350		900	μF
C_{oss} Output capacitance		150		500	
C_{rss} Reverse Transfer Capacitance		50		150	



LittleDiode supplies new, hard to find or obsolete electronic components and semiconductors all over the world.

With over two million different components listed you are sure to find the part you need.

Feel free to visit us today at our online store:

LittleDiode.com

Looking forward to providing you with the best possible service.