

HA17324/A Series

Quad Operational Amplifier

HITACHI

ADE-204-031A (Z)

Rev.1

Mar. 2001

Description

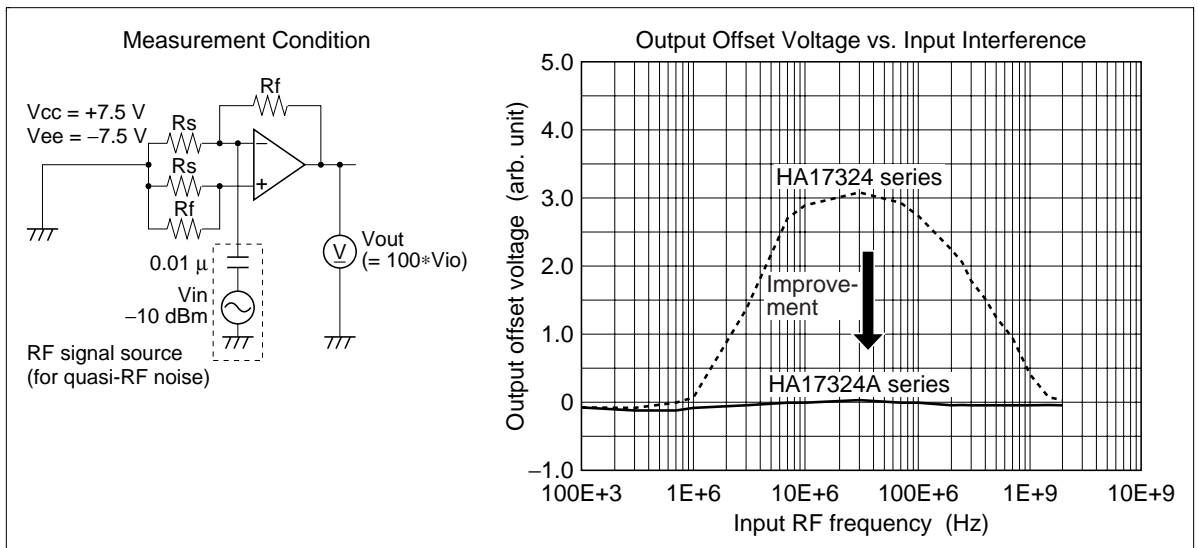
HA17324 series and HA17324A series are quad operational amplifier that provide high gain and internal phase compensation, with single power supply. They can be widely used to control equipments.

Features

- Wide range of supply voltage, and single power supply used
- Internal phase compensation
- Wide range of common mode voltage, and possible to operate with an input about 0 V

Features only for "A" series

- Low electro-magnetic susceptibility level

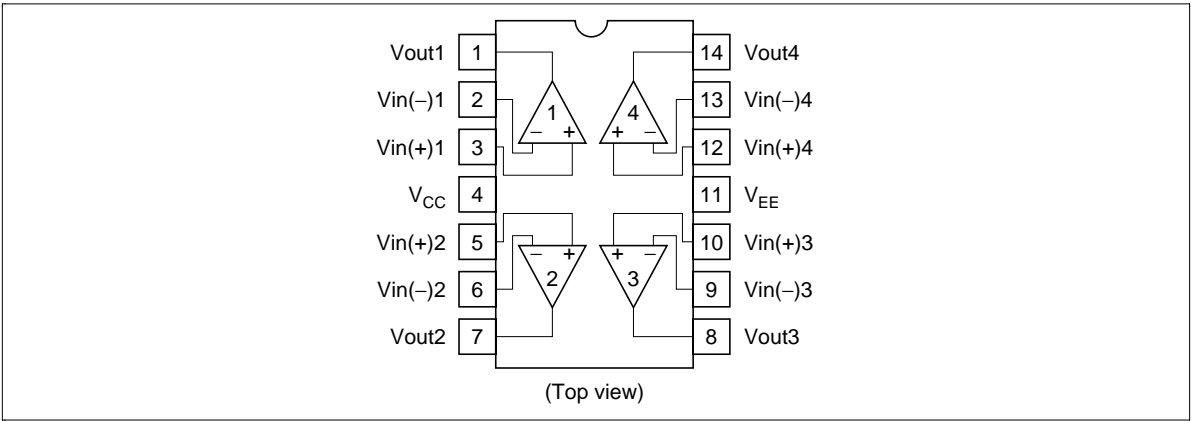


HA17324/A Series

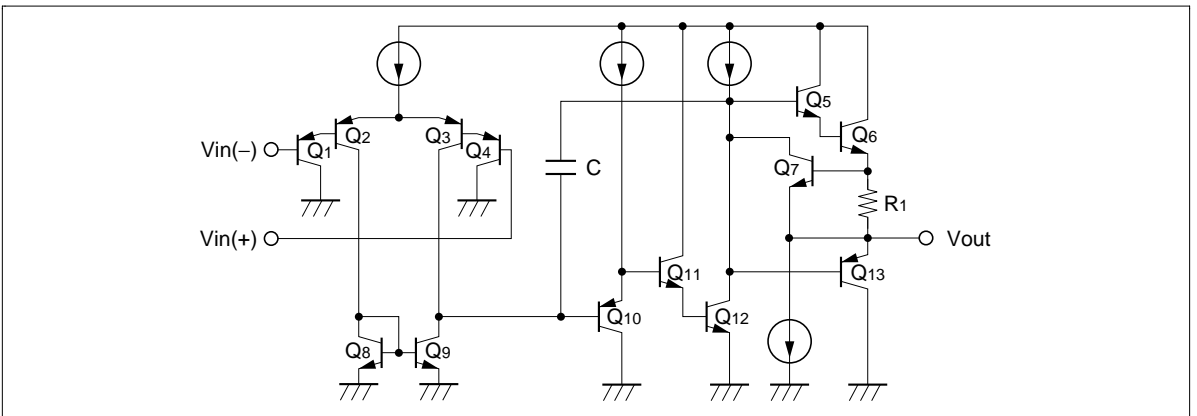
Ordering Information

Type No.	Application	Package
HA17324	Commercial use	DP-14
HA17324F		FP-14DA
HA17324P	Industrial use	DP-14
HA17324FP		FP-14DA
HA17324AP	Industrial use	DP-14
HA17324ARP	Commercial use	FP-14DN
HA17324AFP		FP-14DA

Pin Arrangement



Circuit Schematic (1/4)



HITACHI

Absolute Maximum Ratings (Ta = 25°C)

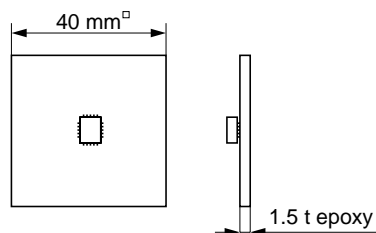
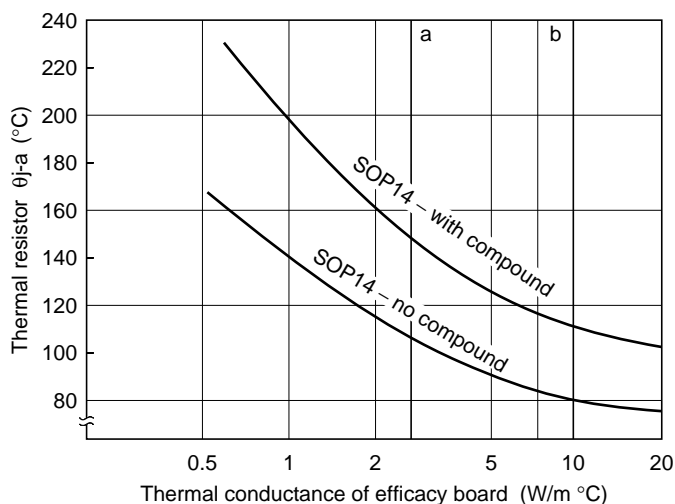
Item	Symbol	Ratings		Unit
		HA17324/P/F/FP	HA17324AP/ARP/AFP	
Supply voltage	V _{CC}	32	32	V
Sink current	I _{sink}	50	50	mA
Power dissipation	P _T	625 *1	625 *2	mW
Common mode input voltage	V _{CM}	-0.3 to V _{CC}	-0.3 to V _{CC}	V
Differential input voltage	V _{in (diff)}	±V _{CC}	±V _{CC}	V
Operating temperature	T _{opr}	-20 to +75	-40 to +85	°C
Storage temperature	T _{stg}	-55 to +125	-55 to +125	°C

Notes: 1. This is the allowable values up to Ta = 50°C. Derate by 8.3 mW/°C.

2. $T_{jmax} = \theta_{j-a} \cdot P_{Cmax} + T_a$ (θ_{j-a} ; Thermal resistor between junction and ambient at set board use).

The wiring density and the material of the set board must be chosen for thermal conductance of efficacy board.

And P_{Cmax} cannot be over the value of P_T.



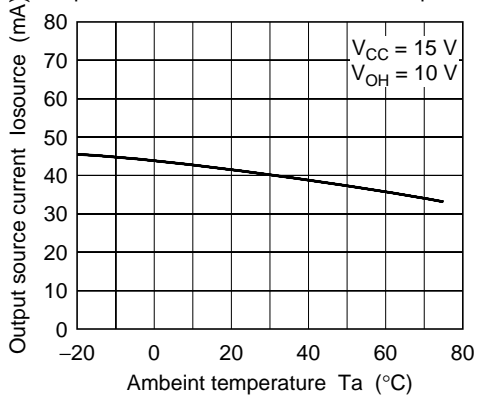
- a. Class epoxy board of 10% wiring density
 b. Class epoxy board of 30% wiring density

Electrical Characteristics ($V_{CC} = +15\text{ V}$, $T_a = 25^\circ\text{C}$)

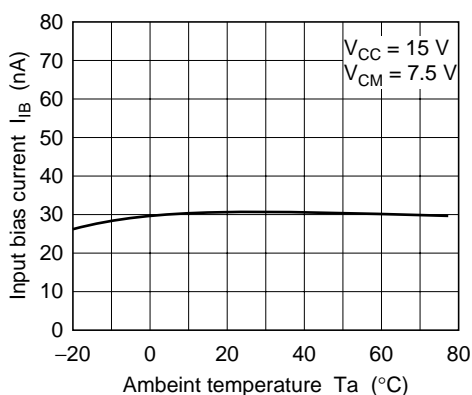
Item	Symbol	Min	Typ	Max	Unit	Test Conditions
Input offset voltage	V_{IO}	—	2	7	mV	$V_{CM} = 7.5\text{ V}$, $R_S = 50\ \Omega$, $R_f = 50\ \text{k}\Omega$
Input offset current	I_{IO}	—	5	50	nA	$V_{CM} = 7.5\text{ V}$, $I_{IO} = I_{I(-)} - I_{I(+)} $
Input bias current	I_{IB}	—	30	500	nA	$V_{CM} = 7.5\text{ V}$
Power source rejection ratio	PSRR	—	93	—	dB	$f = 100\text{ Hz}$, $R_S = 1\ \text{k}\Omega$, $R_j = 100\ \text{k}\Omega$
Voltage gain	A_{VD}	75	90	—	dB	$R_S = 1\ \text{k}\Omega$, $R_f = 100\ \text{k}\Omega$, $R_L = \infty$
Common mode rejection ratio	CMR	—	80	—	dB	$R_S = 50\ \Omega$, $R_f = 5\ \text{k}\Omega$
Common mode input voltage range	V_{CM}	-0.3	—	13.5	V	$R_S = 1\ \text{k}\Omega$, $R_f = 100\ \text{k}\Omega$, $f = 100\text{ Hz}$
Maximum output voltage	V_{op-p}	—	13.6	—	V	$f = 100\text{ Hz}$, $R_S = 1\ \text{k}\Omega$, $R_f = 100\ \text{k}\Omega$, $R_L = 20\ \text{k}\Omega$
Output source current	$I_{osource}$	20	40	—	mA	$V_{IN}^+ = 1\text{ V}$, $V_{IN}^- = 0\text{ V}$, $V_{OH} = 10\text{ V}$
Output sink current	I_{osink}	10	20	—	mA	$V_{IN} = 0\text{ V}$, $V_{IN} = 1\text{ V}$, $V_{OL} = 2.5\text{ V}$
Supply current	I_{CC}	—	0.8	2	mA	$V_{IN} = \text{GND}$, $R_L = \infty$
Slew rate	SR	—	0.19	—	V/ μs	$f = 1.5\text{ kHz}$, $V_{CM} = 7.5\text{ V}$, $R_L = \infty$
Channel separation	CS	—	120	—	dB	$f = 1\text{ kHz}$
Output sink current	I_{osink}	15	50	—	μA	$V_{IN}^+ = 0\text{ V}$, $V_{IN}^- = 1\text{ V}$, $V_{OL} = 200\text{ mV}$
	I_{osink}	3	9	—	mA	$V_{IN}^+ = 0\text{ V}$, $V_{IN}^- = 1\text{ V}$, $V_{OL} = 1\text{ V}$
Output voltage	V_{OH}	13.2	13.6	—	V	$I_{OH} = -1\text{ mA}$
	V_{OH}	12.0	13.3	—	V	$I_{OH} = -10\text{ mA}$
Output voltage	V_{OL}	—	0.8	1.0	V	$I_{OL} = 1\text{ mA}$
	V_{OL}	—	1.1	1.8	V	$I_{OL} = 10\text{ mA}$

Characteristic Curves

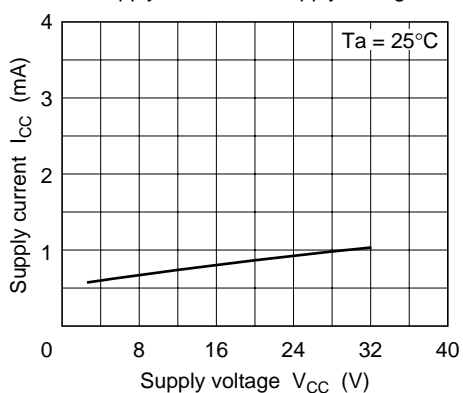
Output Source Current vs. Ambient Temperature



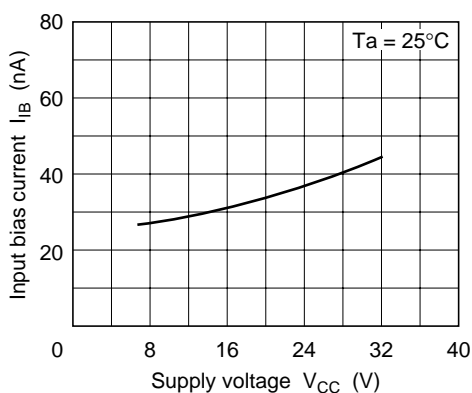
Input Bias Current vs. Ambient Temperature



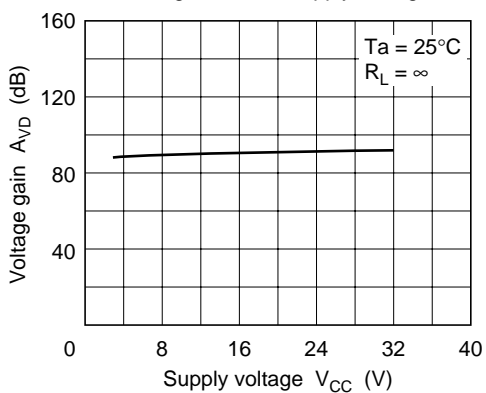
Supply Current vs. Supply Voltage



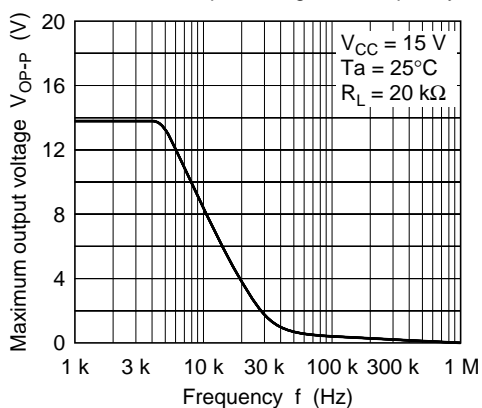
Input Bias Current vs. Supply Voltage

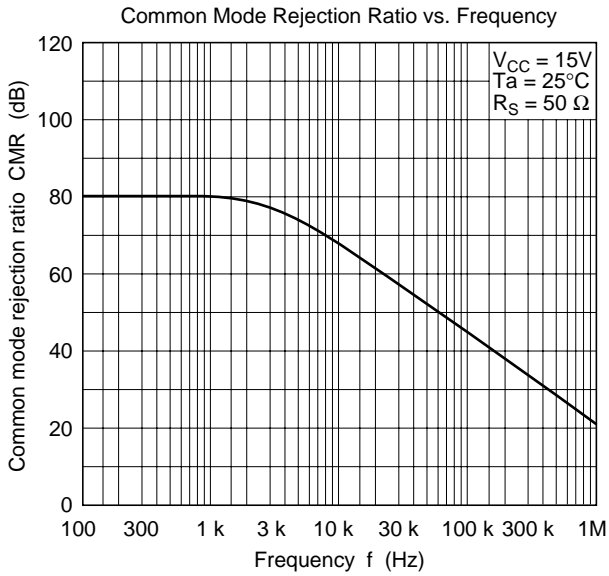
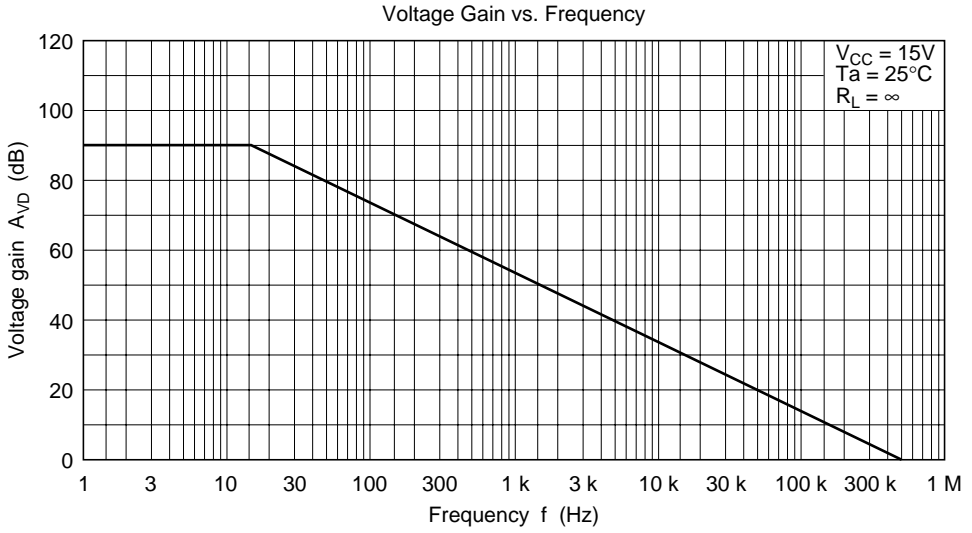


Voltage Gain vs. Supply Voltage



Maximum Output Voltage vs. Frequency





Solder Mounting Method

- 1. Small and light surface-mount packages require special attentions on solder mounting. On solder mounting, pre-heating before soldering is needed. The following figure show an example of infrared rays reflow.
- 2. The difference of thermal expansion coefficient between mounted substrates and IC leads may cause a failure like solder peeling or solder wet, and electrical characteristics may change by thermal stress. Therefore, mounting should be done after sufficient confirmation for especially in case of ceramic substrates.

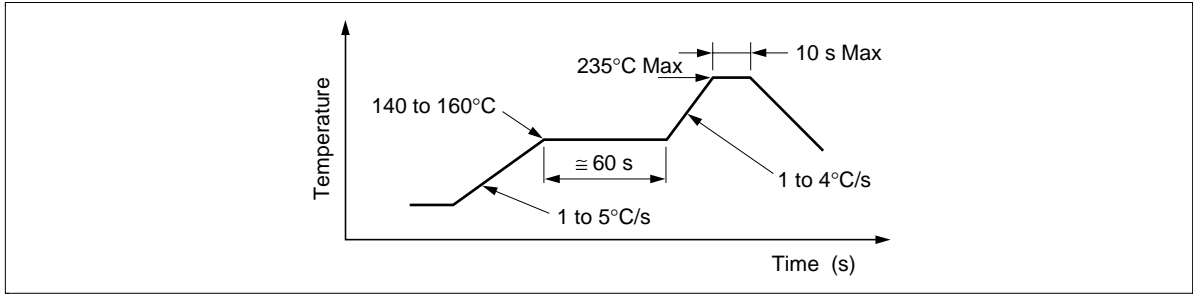
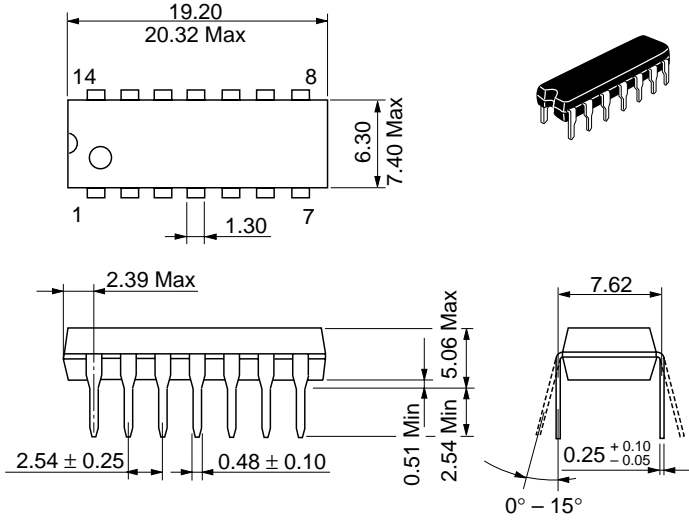


Figure 1 An Example of Infrared Rays Reflow Conditions

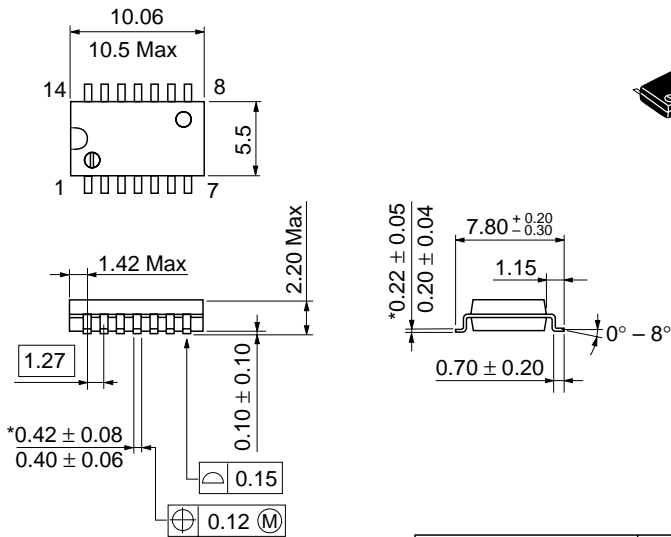
Package Dimensions

Unit: mm



Hitachi Code	DP-14
JEDEC	Conforms
EIAJ	Conforms
Mass (reference value)	0.97 g

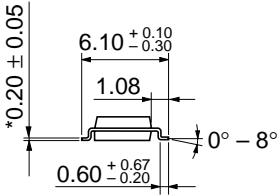
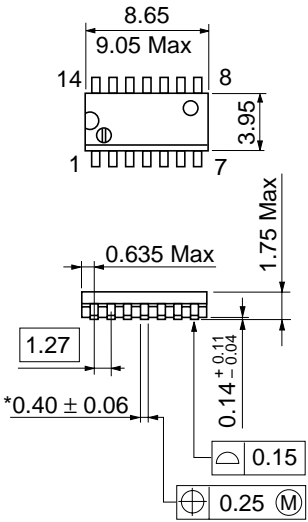
Unit: mm



*Dimension including the plating thickness
Base material dimension

Hitachi Code	FP-14DA
JEDEC	—
EIAJ	Conforms
Mass (reference value)	0.23 g

Unit: mm



*Pd plating

Hitachi Code	FP-14DN
JEDEC	Conforms
EIAJ	Conforms
Mass (reference value)	0.13 g

Cautions

1. Hitachi neither warrants nor grants licenses of any rights of Hitachi's or any third party's patent, copyright, trademark, or other intellectual property rights for information contained in this document. Hitachi bears no responsibility for problems that may arise with third party's rights, including intellectual property rights, in connection with use of the information contained in this document.
2. Products and product specifications may be subject to change without notice. Confirm that you have received the latest product standards or specifications before final design, purchase or use.
3. Hitachi makes every attempt to ensure that its products are of high quality and reliability. However, contact Hitachi's sales office before using the product in an application that demands especially high quality and reliability or where its failure or malfunction may directly threaten human life or cause risk of bodily injury, such as aerospace, aeronautics, nuclear power, combustion control, transportation, traffic, safety equipment or medical equipment for life support.
4. Design your application so that the product is used within the ranges guaranteed by Hitachi particularly for maximum rating, operating supply voltage range, heat radiation characteristics, installation conditions and other characteristics. Hitachi bears no responsibility for failure or damage when used beyond the guaranteed ranges. Even within the guaranteed ranges, consider normally foreseeable failure rates or failure modes in semiconductor devices and employ systemic measures such as fail-safes, so that the equipment incorporating Hitachi product does not cause bodily injury, fire or other consequential damage due to operation of the Hitachi product.
5. This product is not designed to be radiation resistant.
6. No one is permitted to reproduce or duplicate, in any form, the whole or part of this document without written approval from Hitachi.
7. Contact Hitachi's sales office for any questions regarding this document or Hitachi semiconductor products.

HITACHI

Hitachi, Ltd.

Semiconductor & Integrated Circuits.
Nippon Bldg., 2-6-2, Ohte-machi, Chiyoda-ku, Tokyo 100-0004, Japan
Tel: Tokyo (03) 3270-2111 Fax: (03) 3270-5109

URL NorthAmerica : <http://semiconductor.hitachi.com/>
Europe : <http://www.hitachi-eu.com/hel/ecg>
Asia : <http://sicapac.hitachi-asia.com>
Japan : <http://www.hitachi.co.jp/Sicd/indx.htm>

For further information write to:

Hitachi Semiconductor (America) Inc.
179 East Tasman Drive,
San Jose, CA 95134
Tel: <1> (408) 433-1990
Fax: <1> (408) 433-0223

Hitachi Europe Ltd.
Electronic Components Group.
Whitebrook Park
Lower Cookham Road
Maidenhead
Berkshire SL6 8YA, United Kingdom
Tel: <44> (1628) 585000
Fax: <44> (1628) 585200

Hitachi Europe GmbH
Electronic Components Group
Dornacher Straße 3
D-85622 Feldkirchen, Munich
Germany
Tel: <49> (89) 9 9180-0
Fax: <49> (89) 9 29 30 00

Hitachi Asia Ltd.
Hitachi Tower
16 Collyer Quay #20-00,
Singapore 049318
Tel: <65>-538-6533/538-8577
Fax: <65>-538-6933/538-3877
URL : <http://www.hitachi.com.sg>

Hitachi Asia Ltd.
(Taipei Branch Office)
4/F, No. 167, Tun Hwa North Road,
Hung-Kuo Building,
Taipei (105), Taiwan
Tel: <886>-(2)-2718-3666
Fax: <886>-(2)-2718-8180
Telex: 23222 HAS-TP
URL : <http://www.hitachi.com.tw>

Hitachi Asia (Hong Kong) Ltd.
Group III (Electronic Components)
7/F., North Tower,
World Finance Centre,
Harbour City, Canton Road
Tsim Sha Tsui, Kowloon,
Hong Kong
Tel: <852>-(2)-735-9218
Fax: <852>-(2)-730-0281
URL : <http://semiconductor.hitachi.com.hk>

Copyright © Hitachi, Ltd., 2001. All rights reserved. Printed in Japan.

Colophon 3.0

HITACHI



LittleDiode supplies new, hard to find or obsolete electronic components and semiconductors all over the world.

With over two million different components listed you are sure to find the part you need.

Feel free to visit us today at our online store:

LittleDiode.com

Looking forward to providing you with the best possible service.