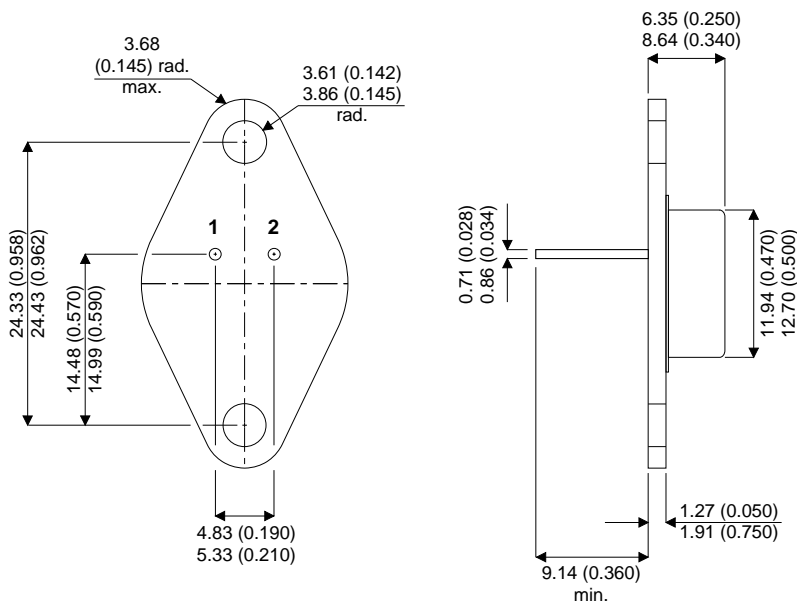


MECHANICAL DATA

Dimensions in mm (inches)



**NPN EPITAXIAL
POWER TRANSISTOR
IN TO66
HERMETIC PACKAGE**

APPLICATIONS

- SCREENING OPTIONS AVAILABE
- TO66 PACKAGE

TO-66 Metal Package.

PIN 1 = BASE PIN 2 = EMITTER CASE = COLLECTOR

ABSOLUTE MAXIMUM RATINGS

($T_{case} = 25^{\circ}C$ unless otherwise stated)

		2N4910X	2N4911X	2N4912X
$V_{(BR)CBO}$	Collector – Base Breakdown Voltage	40V	60V	80V
$V_{(BR)CEO}$	Collector – Emitter Breakdown Voltage	40V	60V	80V
$V_{(BR)EBO}$	Emitter – Base Breakdown Voltage		5V	
I_C	Continuous Collector Current		4A	
I_B	Base Current		1A	
P_D	Total Power Dissipation		25W	
T_C	Operating Case Temperature Range		-65 to +200°C	
T_{stg}	Storage Temperature Range		-65 to +200°C	
$R_{\theta JC}$	Thermal Resistance , Junction To Case		7.0°C/W	

Electrical Characteristics ($T_C = 25^\circ\text{C}$ unless otherwise stated.)

Parameter	Test Conditions	Min.	Typ.	Max.	Units
I_{CEO} Collector – Emitter Cut-off Current	$V_{CE} = 30V$ $I_B = 0$			0.50	mA
I_{CEX} Collector – Emitter Cut-off Current	$V_{CE} = V_{(BR)CEO}$ $V_{BE} = 1.5V$			100	μA
	$T_C = 150^\circ\text{C}$			1.0	mA
I_{CBO} Collector – Base Cut-off Current	$V_{CB} = V_{(BR)CBO}$ $I_E = 0$			0.1	mA
I_{CES} Collector – Emitter Leakage Current	$V_{CE} = V_{(BR)CEO}$ $V_{BE} = 0$			100	μA
$V_{CE(sat)}^*$ Collector – Emitter Saturation Voltage	$I_C = 1A$ $I_B = 0.1A$			0.60	V
$V_{BE(sat)}^*$ Base – Emitter Saturation Voltage	$I_C = 1A$ $I_B = 0.1A$			1.3V	V
V_{BE}^* Base – Emitter Voltage	$I_C = 1A$ $V_{CE} = 1V$			1.3V	V
h_{FE}^* DC Current Gain	$V_{CE} = 1V$ $I_C = .5mA$	20		175	—
	$V_{CE} = 1V$ $I_C = 1mA$	10			
	$V_{CE} = 1V$ $I_C = .05A$	40			

* Pulse Test: $t_p = 300\mu\text{s}$, $\delta = 2\%$.



LittleDiode supplies new, hard to find or obsolete electronic components and semiconductors all over the world.

With over two million different components listed you are sure to find the part you need.

Feel free to visit us today at our online store:

LittleDiode.com

Looking forward to providing you with the best possible service.