

# ELECTRONIC TUNING SYSTEMS (monolithic integrated circuit)

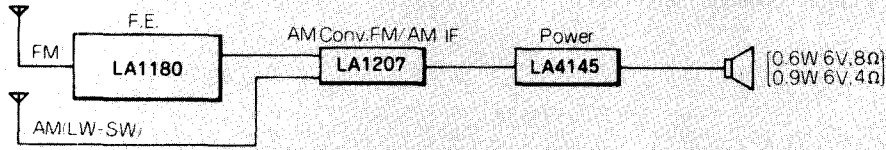
Type Number	Page	Case			Circuit Drawing No.	Circuit Functions & Applications	Main Specifications
		Package	Pins	Package No.			
LC7210	222	DIP	28	3012A	4053	PSL <sup>2</sup> Electronic Tuning System	Kit available with controller microcomputer, preset memory
LC7220	222	DIP	42S	3025B	4054	PLL Electronic Tuning System for FM/AM Radio	(U.S.A. version) FM/MW, 18-dot analog display, VDD=5V, fref=7.2MHz, used with LB3500 (1/8 prescaler)
LC7221	222	DIP	42S	3025B	4054	PLL Electronic Tuning System for FM/AM Radio	(Japan version) FM/MW, 18-dot analog display, VDD=5V, fref=7.2MHz, used with LB3500 (1/8 prescaler)
LC7222	222	DIP	42S	3025B	4054	PLL Electronic Tuning System for FM/AM Radio	(Europe version) FM/MW, 18-dot analog display, VDD=5V, fref=7.2MHz, used with LB3500 (1/8 prescaler)
LC7223	222	DIP	42S	3025B	4054	PLL Electronic Tuning System for FM/AM Radio	(Japan version) Same as LC7221, AM1629kHz use
LC7225	222	QIP	64	3026B	4054	PLL Electronic Tuning System for FM/AM Radio	(U.S.A. version) FM/MW, 18-dot analog display, VDD=5V, fref=7.2MHz, used with LB3500 (1/8 prescaler)
LC7226	222	QIP	64	3026B	4054	PLL Electronic Tuning System for FM/AM Radio	(Japan version) FM/MW, 18-dot analog display, VDD=5V, fref=7.2MHz, used with LB3500 (1/8 prescaler)
LC7227	222	QIP	64	3026B	4054	PLL Electronic Tuning System for FM/AM Radio	(Europe version) FM/MW, 18-dot analog display, VDD=5V, fref=7.2MHz, used with LB3500 (1/8 prescaler)
©LM7000	248	DIP	20S	3021B	5003	Direct PLL Electronic Tuning System	IF counter, high-speed programmable divider capable of direct dividing FM band VCO
©LC7010	219	DIP	42S	3025B	4045	LM7000-Used Car Stereo Controller	(US, Europe version) 6 channel each of FM/(MW+LW), with clock, LED dynamic display
©LC7030	220	DIP	42S	3025B	4046	LM7000-Used Home Stereo Controller	(Japan, US, Europe version) 8 channels each of FM/(MW+LW), with remote control, LED or FLI dynamic display
©LC7570	235	DIP	42S	3025B	4093	Frequency Display FLI Static Driver	34-segment output, 5 steps, A/D converter, serial data input
©LC7572	236	DIP	18	3007A	4094	Electronic Tuning Preset Address Display LED Driver	16-dot display, 0 to 19 decimal display, 0 to F hexadecimal display, latch function
©LC7580	236	QIP	64	3026B	4095	Frequency Display LCD Driver	Static 1/1duty 53 segments, 1/2duty 104 segments, 5-level AD converter 2 pins
LB3500	197	SEP	9	3017B	3071	1/8 Prescaler	PLL electronic tuning system available with LC7220 series, with INH pin
LA5700	144	DIP	14T	3005A	2110	Voltage Regulator for SL <sup>2</sup> Tuning System	V <sub>ref</sub> =8V, V <sub>DD</sub> =9V for LC7200, LC7250 of SL <sup>2</sup> system, with backup controller



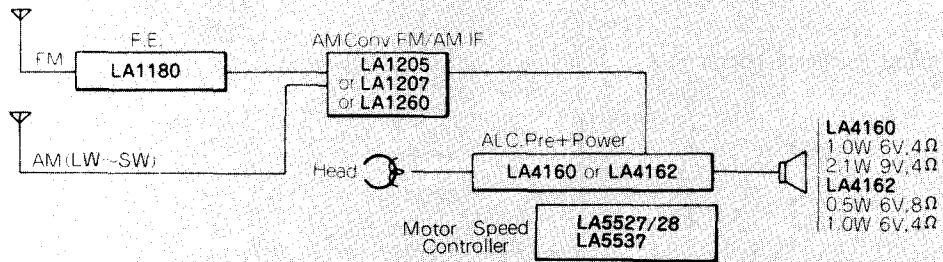
## 4. RADIO CASSETTES

\* Under development

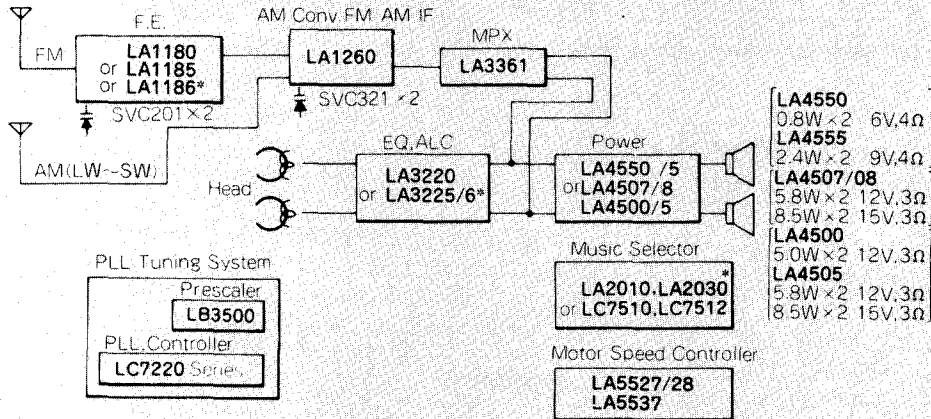
(a) Popular Type Monaural Radio



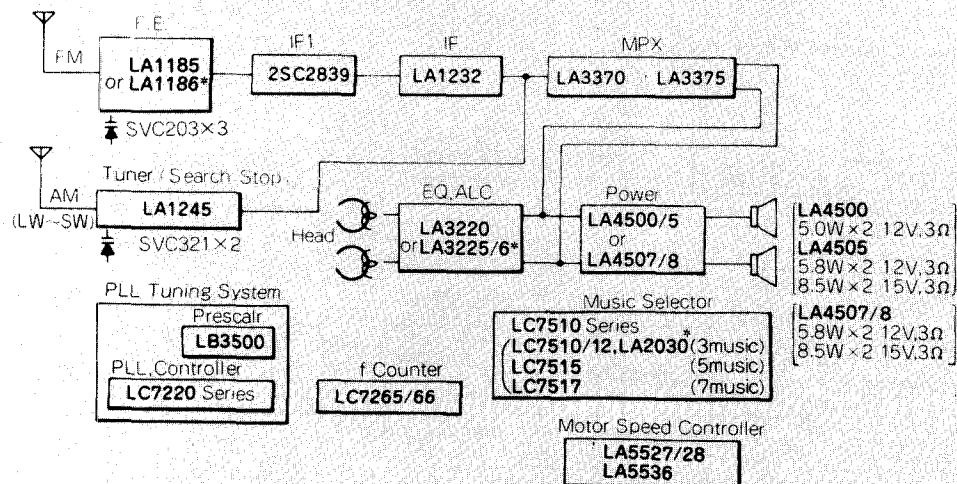
(b) Popular Type Monaural Cassette



(c) Middle-Grade Stereo Cassette



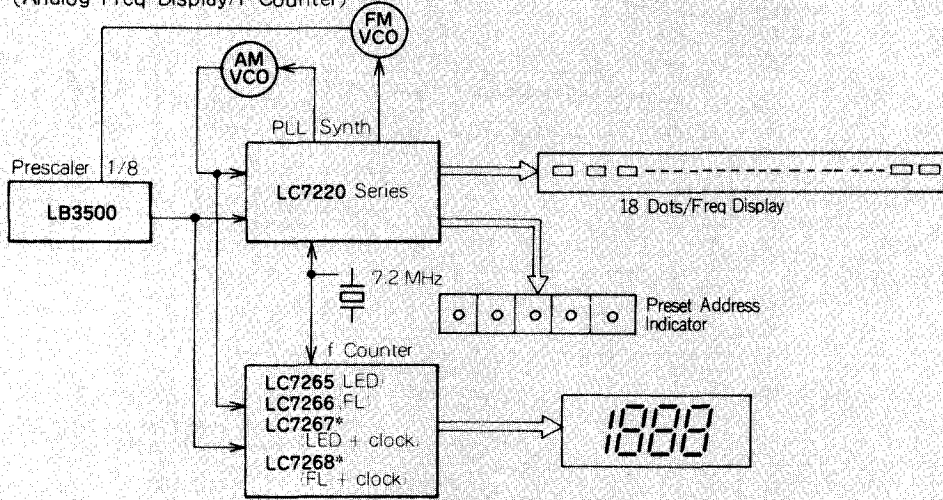
(d) High-Grade Stereo Radio Cassette



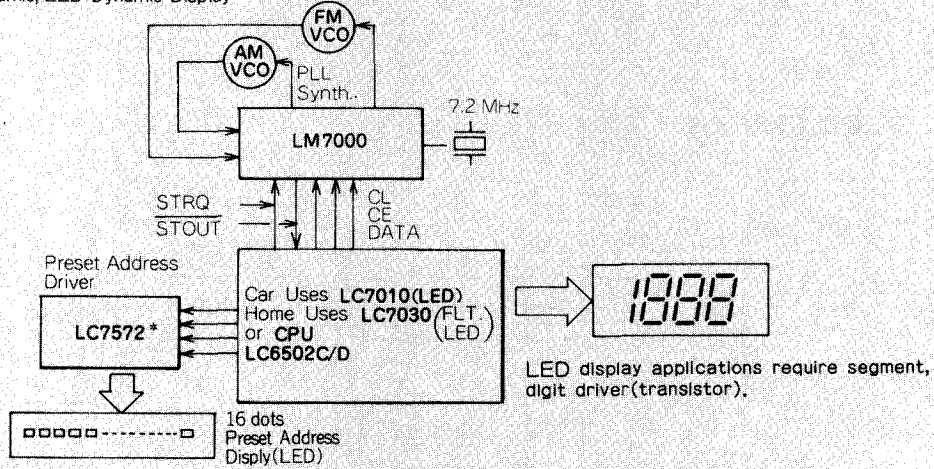
# 10. PLL ELECTRIC TUNING SYSTEM

(a) LC7220 Series  
(Analog Freq Display/f Counter)

\*Under development



(b) LM7000 Series (Direct Divid.)  
•FL Dynamic, LED Dynamic Display



•FL Static, LCD display

