

LC7523, 7523M

SANYO SEMICONDUCTOR CORP



3029A



3073A

CMOS LSI

Electronic Volume Control for Graphic Equalizer

©1813C

Functions

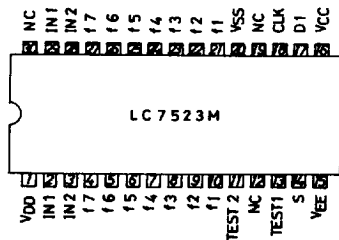
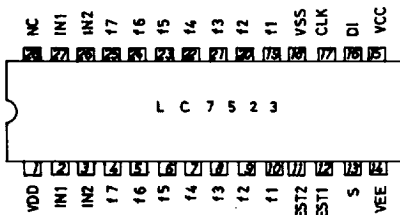
- On-chip electronic volume control for graphic equalizer with 7 bands each of right/left.
- 2dB/step variable in each band.
- Max. boost of +12dB, max. cut of -12dB, and 13 positions in each band.
- Simultaneous drive of right/left band.
- Band setting by serial data input. 2 control lines
- CMOS LSI of 12V breakdown voltage.

Features

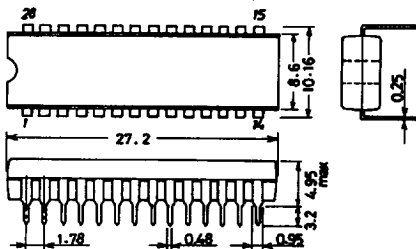
By using 3 chips of the LC7523 (or LC7523M), a controller (LC7060 or general-purpose microcomputer LC6502C), and a display LSI (LC7560→LCD, LC7565→FLT, LED), an electronic graphic equalizer system with the following features can be formed.

- The gain in each band can be increased/decreased with one touch.
- Since the preset memory contents can be called with one touch, your desired frequency characteristic to the music can be selected.
- (Example) User option 2 modes + maker option 3 modes + last channel memory
- '0dB in each band (flat function)', 'The frequency characteristic in each band is reversed with respect to 0dB (reverse function)'. — These functions can be software-controlled with one touch.
- Spectrum analyzing display can be used to provide recording equalization easily.
- Since 2 control lines can be also used for a display LSI, wiring between microcomputer and LSI is facilitated.
- The package is available in two types : shrink package DIP28 and miniflat package MFP30.

Pin Assignment

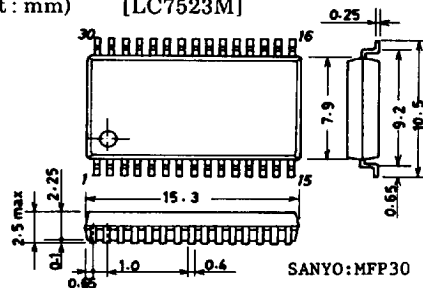


Case Outline 3029A
(unit : mm) [LC7523]



SANYO: DIP28S

Case Outline 3073A
(unit : mm) [LC7523M]



SANYO:MFP30

7128TA/6096KI/2225KI,TS No.1813-1/4

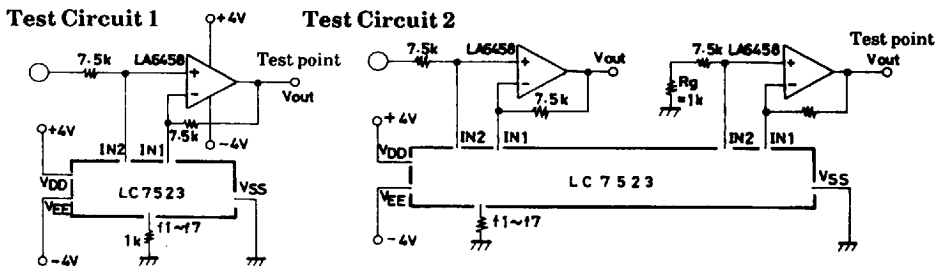
LC7523,7523M

Absolute Maximum Ratings at Ta = 25°C, VSS = 0V				unit
Maximum Supply Voltage	VDD-V _{EE} max	VDD, V _{EE} , *1	12	V
	V _{CC} max	V _{CC} , *1		V
Maximum Input Voltage	V _{I1} 1	CLK, DI	V _{SS} - 0.3 to V _{CC} + 7	V
	V _{I2}	f1 to f7, IN1, IN2, S, TEST1	V _{EE} - 0.3 to V _{DD} + 0.3	V
Allowable Power Dissipation	Pd max	Ta ≤ 75°C	200	mW
Operating Temperature	T _{opg}		-30 to +75	°C
Storage Temperature	T _{stg}	*2	-40 to +125	°C

Recommended Operating Conditions at Ta = 25°C, VSS = V _{EE} = 0V				unit
Supply Voltage	VDD	VDD	8.0	V
	V _{EE}	V _{EE}	0	V
	V _{CC}	V _{CC}	5.0	V

Allowable Operating Conditions at Ta = 25°C, VSS = 0V				unit
Supply Voltage	VDD-V _{EE}	VDD, V _{EE} ,	4.5 to 11.0	V
	V _{CC}	V _{CC}	4.0 to 5.5	V
Input 'H'-Level Voltage	V _{IH1} 1	CLK, DI, *3	0.8V _{CC} to V _{CC}	V
	V _{IH2}	S	0.9(V _{DD} - V _{EE}) + V _{EE} to V _{DD}	V
	V _{IH3}	IN1, IN2, f1 to f7	up to V _{DD}	Vp
Input 'L'-Level Voltage	V _{IL1} 1	CLK, DI	0.2V _{CC}	V
	V _{IL2}	S, TEST1	V _{EE} to 0.1(V _{DD} - V _{EE}) + V _{EE}	V
	V _{IL3}	IN1, IN2, f1 to f7	V _{EE} or more	Vp
Input Pulse Width	t _{pw}	CLK	1 or more	µs
Setup Time	t _{setup}	DI	1 or more	µs
Hold Time	t _{hold}	DI	1 or more	µs
Operating Frequency	f _{opg}	CLK	up to 330	kHz

Electrical Characteristics at Ta = 25°C				min	typ	max	unit
Total Harmonic Distortion	THD1	Test Circuit 1, V _{out} = 1V, flat mode, f = 20kHz		0.005	0.010	%	
	THD2	Test Circuit 1, V _{out} = 1V, flat mode, f = 1kHz		0.0015	0.003	%	
	THD3	Test Circuit 1, V _{out} = 1V, boost mode, f = 20kHz		0.04	0.10	%	
	THD4	Test Circuit 1, V _{out} = 1V, boost mode, f = 1kHz		0.04	0.10	%	
Crosstalk	CT	Test Circuit 2, f = 20kHz, V _{out} = 1V		55		dB	
Current Dissipation	I _{DD}	V _{DD} - V _{EE} = 10V			1	mA	
	I _{CC}	V _{CC} = 5V			1	mA	
Analog SW OFF Leak Current	I _{off}	f1 to f7			10	µA	

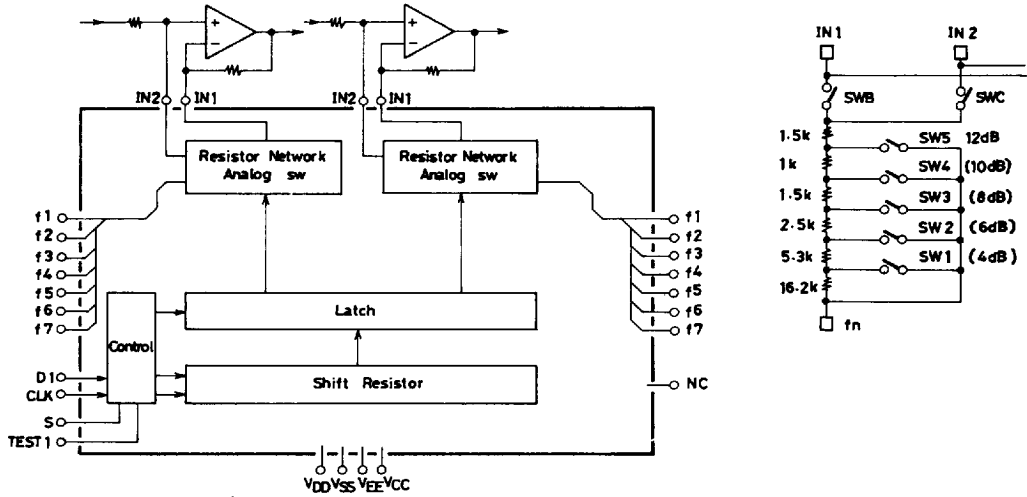


- *1: Connect a capacitor of 1000pF or greater across each power supply pin and V_{SS} pin.
- *2: When mounting the MFP package on the board, do not dip it in solder.
- *3: When the control signal on the microcomputer side rises earlier than V_{DD} on the LC7523, connect a resistor of 2kΩ or greater halfway through DI, CLK lines.

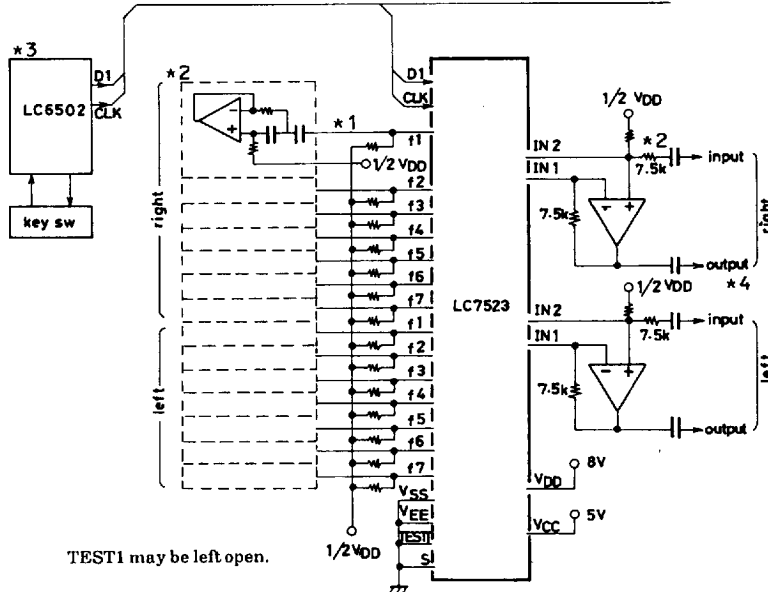
LC7523,7523M

Equivalent Circuit Block Diagram

Resistance Equivalent Circuit (for one band)



Sample Application Circuit (Single-supply operation)



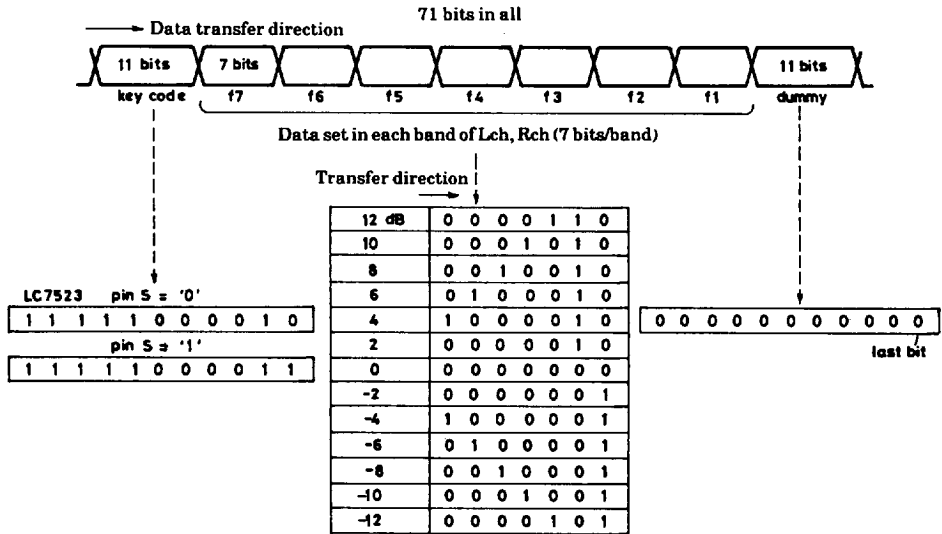
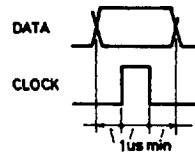
- *1 : It is recommended that $1/2V_{DD}$ is applied to pins f1 to f7 through resistors of $1M\Omega$ so that noise is minimized at the select mode.
- *2 : The optimum conditions for 2dB/step are as follows :
 $V_{DD} = 8V$, feedback resistance of OP amp : $7.5k\Omega$, equivalent LC resonance impedance : $1k\Omega$
 (For $V_{DD} = 14V$, the LC7522 is recommended.)
- *3 : The LC7060 is available as a standard controller.
- *4 : The LC7560 (LCD driver), LC7565 (FLT, LED driver) are available as spectrum analyzing display drivers for graphic equalizer output signal.

SANYO SEMICONDUCTOR CORP

LC7523,7523M

Data Code

- Note 1. When power is applied, data '0' must be first transferred for 60 clocks (initial clock) or more. If data transfer is stopped halfway, the transfer of the remaining data must be completed or data transfer must be started after the initial clocks have been transferred.
- Note 2. When the DI, CLK pins are shared with the LC7560, etc., the maximum initial clocks for such device must be transferred.



Pin Description

SANYO SEMICONDUCTOR CORP

Pin Name	Pin Configuration	Description
V _{DD}		Power supply pin. Power supply for audio signal.
V _{SS}		Power supply pin. 0V.
V _{EE}		Power supply pin. Power supply for audio signal, connected to V _{SS} at single-supply operation.
V _{CC}		Power supply pin. +5V typ. Must not rise earlier than V _{DD} .
DI		Used to input data from CPU. Schmitt inverter type.
CLK		Used to input clock from CPU. Schmitt inverter type.
IN1		Audio signal input pin. Normally, IN1 is connected to inverting input of OP amp.
IN2		Normally, IN2 is connected to noninverting input of OP amp. Provided in Lch/Rch.
f1 to f7		Band filter connecting pin. f1 to f7 × 2(right/left) = 14 (total) pins.
S		Select pin at 2-chip used mode. To accept data under key code 7C3, S must be set to '1'. →Connected to V _{DD} . To accept data under key code 7C2, S must be set to '0'. →Connected to V _{EE} .
TEST1		IC test pin. Left open or connected to V _{EE} .
TEST2		May be left open during operation or connected to V _{SS} through a resistor of 1MΩ.
NC		No connection pin. Nothing must be connected to this pin.