

GERMANIUM POWER TRANSISTORS

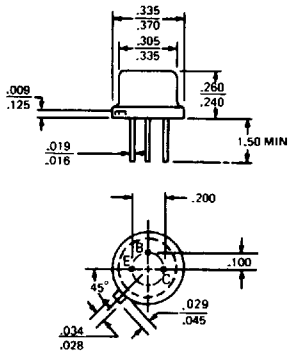
Type Number	Min. Derate J to C W/°C	I _C A	ABSOLUTE MAX. RATINGS				Max. I _{CEO} @ Max. V _{CE} @ 25°C A	Bias V _{CB} V	h _{FE}		f _{sw} (Hz)	Max. Sat. Res. Ω	Max. P _c Free Air @ 25°C W	
			I _B A	BV _{CBO} V	BV _{ESB} V	BV _{CEO} V			I _C A	Min.				Max.
GERMANIUM PNP DAP TRANSISTORS														
TO-3														
MP1612	1	20		70	2	50			10	25	100		.03	85
MP1612A	1	20		110	2	75			10	25	100		.03	85
MP1612B	1	20		13	2	100			10	25	100		.03	85
MP1613	1	7	2	100	50	75	5.0m	2	1	40	70			85
2N2147	660m	5	1	75	1.5	50	10m	2	1	100	300	3.0m	250m	12
2N2148	660m	5	1	60	1.0	40	10m	2	1	40	160	2.0m	250m	12
40612	167m	5	1		5.0		3.0μ	2	1	30	150			12
40623	167m	5	1		5.0		500μ	2	1	50	170			12
40626	167m	5	1		5.0		500μ	2	1	50	170			12
2N1905	667m	6	1	100	1.5	50	10m	2	1	50	150	2.0m	200m	12
2N1906	667m	6	1	130	1.5	60	10m	2	1	75	250	3.0m	100m	30
2N3730	303m	3	500m	200	.5	200	200μ	4	50m	10	200	1.0m	880m	30
2N3731	167m	10	4	320	2.0	320	200μ	3	6	15			250m	10
2N3732	100m	3	500m	100	.5	100	200μ	4	700m	35	500	1.0m	350m	3
40439	666m	10	4	320	2.0	320	200μ						250m	5
40440	666m	10	4	200	2.0	200	200μ						120m	5
40442	666m	10	4		2.0	60							130m	5
2N4346	167m	5	1	75	1.5	50	1.0m	2	1	62	175	4.0m	200m	12
40421	660m	5	1	40	5.0	40	500μ	2	1	50	90	600k		12
40462	666m	5	1	40	5.0	40	500μ	2	1	50	90	600k		12
2N2526	1	10		80	2.0	80	3m	2	3	20	50			85
2N2527	1	10		120	2.0	120	3m	2	3	20	50			85
2N2528	1	10		160	2.0	160	3m	2	3	20	50			85
2N2832	1	20	5	80	2.0	50	10m	2	10	25	100			85
2N2833	1	20	5	120	2.0	75	10m	2	10	25	100			85
2N2834	1	20	5	140	2.0	100	10m	2	10	25	100			85
2N5155	1.25	25	5	140	1.5	120	10m	2	8	25	100			106
2N5324	0.67	10	3	250	2.0	150	7m	2	5	20	60			56
2N5325	0.67	10	3	325	2.0	200	7m	2	5	20	60			56
2N5435	1.43	60	12	80	2.5	60	10m	2	25	20	60	350k		120
2N5436	1.43	60	12	110	2.5	90	10m	2	25	20	60	350k		120
2N5437	1.43	60	12	140	2.5	120	10m	2	25	20	60	350k		120
2N5438	1.43	60	12	80	2.5	60	10m	2	25	40	120	350k		120
2N5439	1.43	60	12	110	2.5	90	10m	2	25	40	120	350k		120
2N5440	1.43	60	12	140	2.5	120	10m	2	25	40	120	350k		120
1N4785 (Diode)	PRV 320V max.; Peak Forward Current 10A. max; Average Forward Current 7A.													

t_r
 1 750 nano sec
 2 1.2 μsec

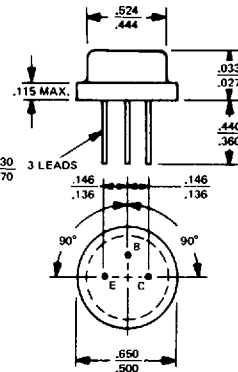
GERMANIUM POWER TRANSISTORS

CASE OUTLINE DRAWINGS & DIMENSIONS

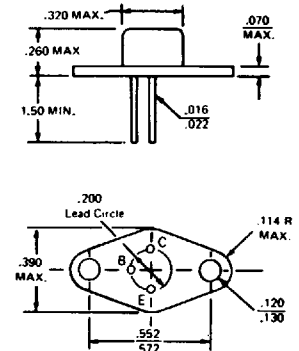
TO-5



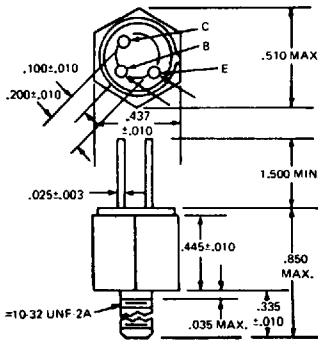
TO-8



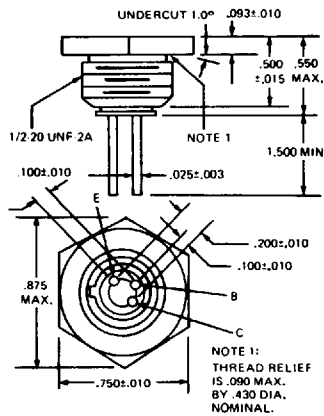
TO-37



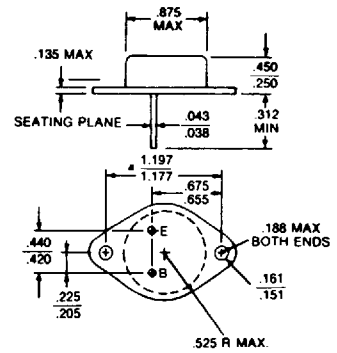
MT-27



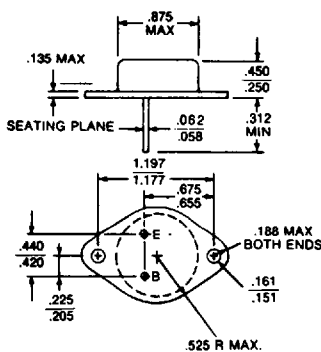
MT-28



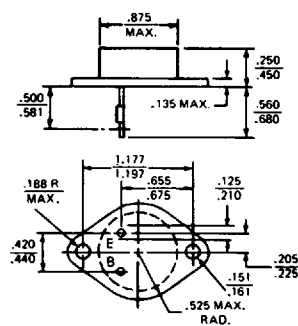
TO-3



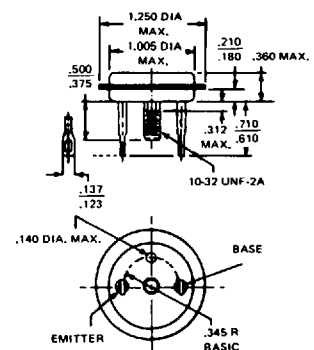
MODIFIED TO-3
(60 mil pins)



TO-41



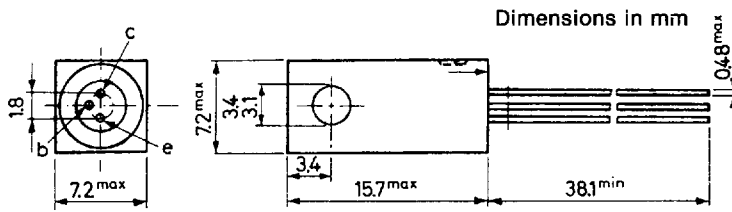
TO-36



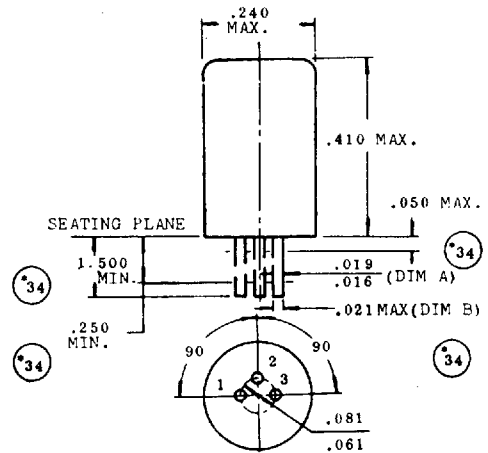
GERMANIUM POWER TRANSISTORS

CASE OUTLINE DRAWINGS & DIMENSIONS

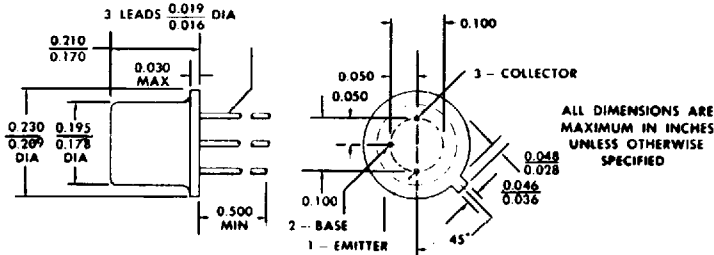
NS257



TO-1



TO-18



THE COLLECTOR IS ELECTRICAL CONTACT WITH THE CASE.

ALL JEDEC TO-18 DIMENSIONS AND NOTES ARE APPLICABLE.



GERMANIUM POWER DEVICES CORP.

300 Brickstone Square · York Street · P.O. Box 3065
Shawsheen Village Station · Andover, Massachusetts 01810
Telephone (508) 475-5982 · FAX (508) 470-1512

26

Printed in U.S.A.

■ 3947375 0000689 52T ■

54134

This datasheet has been downloaded from:

www.DatasheetCatalog.com

Datasheets for electronic components.



LittleDiode supplies new, hard to find or obsolete electronic components and semiconductors all over the world.

With over two million different components listed you are sure to find the part you need.

Feel free to visit us today at our online store:

LittleDiode.com

Looking forward to providing you with the best possible service.