

GERMANIUM POWER TRANSISTORS

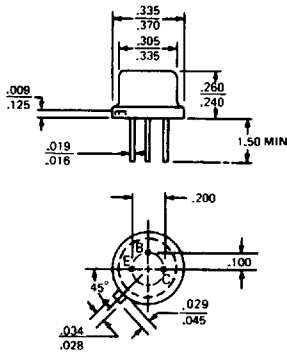
Type Number	Case Type	V_{CBO} V	V_{CEO} V	V_{EBO} V	V_{CER} V	V_{CES} V	CURRENT GAIN				SATURATION VOLTAGES				θ_{J-C} °C/W
							h_{FE} Min.	h_{FE} Max.	$V_{CE} @ I_C$ V	$I_C @ I_B$ A	$V_{CE(1)}$ V	$V_{BE(1)}$ V	$I_C @ I_B$ A	$I_C @ I_B$ A	
25 AMP GERMANIUM PNP (Cont.)															
2N1162A	TO-3	50	20	25.0		35	15	65	1.0	25.0	1.00		25.0	1.600	.80
2N1163	TO-41	50		25.0		35	15	65	1.0	25.0	.80		25.0	1.600	.80
2N1163A	TO-41	50	20	25.0		35	15	65	1.0	25.0	1.00		25.0	1.600	.80
2N1164	TO-3	80		40.0		60	15	65	1.0	25.0	.80		25.0	1.600	.80
2N1164A	TO-3	80	40	40.0		60	15	65	1.0	25.0	1.00		25.0	1.600	.80
2N1165	TO-41	80		40.0		60	15	65	1.0	25.0	.80		25.0	1.600	.80
2N1165A	TO-41	80	40	40.0		60	15	65	1.0	25.0	1.00		25.0	1.600	.80
2N1166	TO-3	100		50.0		75	15	65	1.0	25.0	.80		25.0	1.600	.80
2N1166A	TO-3	100	50	50.0		75	15	65	1.0	25.0	1.00		25.0	1.600	.80
2N1167	TO-41	100		50.0		75	15	65	1.0	25.0	.80		25.0	1.600	.80
2N1167A	TO-41	100	50	50.0		75	15	65	1.0	25.0	1.00		25.0	1.600	.80
2N1651	TO-41	60		1.5		60	35	140	2.0	10.0	.65	.90	25.0	2.500	.80
2N1652	TO-41	100		1.5		100	35	140	2.0	10.0	.65	.90	25.0	2.500	.80
2N1653	TO-41	120		1.5		120	35	140	2.0	10.0	.65	.90	25.0	2.500	.80
2N1751	TO-3	80		2.5		80	30	90	1.5	20.0	.50		20.0	2.500	.80
2N2285	TO-3	60	30	1.5			35	140	2.0	10.0	.65	1.50	25.0	2.500	.80
2N2286	TO-3	100	60	1.5			35	140	2.0	10.0	.65	1.50	25.0	2.500	.80
2N2287	TO-3	120	80	1.5			35	140	2.0	10.0	.65	1.50	25.0	2.500	.80
2N2636	TO-41	100	60	1.5			35	140	2.0	10.0	.65	.90	25.0	2.500	.80
2N2637	TO-41	100	60	1.5			35	140	2.0	10.0	.65	.90	25.0	2.500	.80
2N2638	TO-41	100	60	1.5			35	140	2.0	10.0	.65	.90	25.0	2.500	.80
2N2691	TO-41	100	80	1.5			30	100	1.5	20.0	.65	.90	25.0	2.500	.80
2N2691A	TO-41	120	80	1.5			50	100	1.5	20.0	.65	.90	25.0	2.500	.50
SDG600	TO-3	75	50	1.5			50		2.0	5.0	.75	1.40	25.0		1.00
SDG601	TO-3	75	60	1.5			50		2.0	5.0	.75	1.40	25.0		1.00
SDG602	TO-3	75	70	1.5			50		2.0	5.0	.75	1.40	25.0		1.00
SDG603	TO-3	90	80	1.5			50		2.0	5.0	.75	1.40	25.0		1.00
30 AMP GERMANIUM PNP															
2N2152	TO-36	45	40	25.0		45	25		2.0	15.0	.30	2.00	25.0	2.000	.50
2N2153	TO-36	60	45	30.0		60	25		2.0	15.0	.30	2.00	25.0	2.000	.50
2N2154	TO-36	75	60	40.0		75	25		2.0	15.0	.30	2.00	25.0	2.000	.50
2N2156	TO-36	45	30	25.0		45	40		2.0	15.0	.30	2.00	25.0	2.000	.50
2N2157	TO-36	60	45	30.0		60	40		2.0	15.0	.30	2.00	25.0	2.000	.50
2N2158	TO-36	75	60	40.0		75	40		2.0	15.0	.30	2.00	25.0	2.000	.50
35 AMP GERMANIUM PNP															
2N1520	TO-36	50	40	30.0			17	68	2.0	15.0	.60		35.0	4.000	.50
2N1521	TO-36	80	60				17	68	2.0	15.0	.60		35.0	4.000	.50
40 AMP GERMANIUM PNP															
2N1157	MT-7	60	45				10		2.0	40.0	.80		40.0	6.000	
2N1157A	MT-7	80	50				10		2.0	40.0	.80		40.0	6.000	
50 AMP GERMANIUM PNP															
2N1522	TO-36	50	40	30.0			25	100	2.0	15.0	.50		50.0	5.000	.50
2N1523	TO-36	80	60	30.0			25	100	2.0	5.0	.50		50.0	5.000	.50
2N2357*	TO-41	60	30	2.5		60	30	90	1.5	20.0	.90	1.50	50.0	5.000	.50
2N2358*	TO-41	100	60	2.5		100	30	90	1.5	20.0	.90	1.50	50.0	5.000	.50
2N2359*	TO-41	120	80	2.5		120	30	90	1.5	20.0	.90	1.50	50.0	5.000	.50
SDG604	TO-3	30	20	1.5			30	90	2.0	20.0	.90	1.50	50.0	5.000	.50
SDG605	TO-3	45	30	1.5			30	90	2.0	20.0	.90	1.50	50.0	5.000	.50
SDG606	TO-3	60	45	1.5			30	90	2.0	20.0	.90	1.50	50.0	5.000	.50
SDG607	TO-3	75	60	1.5			30	90	2.0	20.0	.90	1.50	50.0	5.000	.50
60 AMP GERMANIUM PNP															
2N4048	TO-68	45	30	25.0		45	15		2.0	60.0	.30	1.00	60.0	6.000	.50
2N4049	TO-68	60	45	30.0		60	15		2.0	60.0	.30	1.00	60.0	6.000	.50
2N4050	TO-68	75	60	40.0		75	15		2.0	60.0	.30	1.00	60.0	6.000	.50
2N4051	TO-68	45	30	25.0		45	15		2.0	60.0	.30	1.00	60.0	6.000	.50
2N4052	TO-68	60	45	30.0		60	15		2.0	60.0	.30	1.00	60.0	6.000	.50
2N4053	TO-68	75	60	40.0		75	15		2.0	60.0	.30	1.00	60.0	6.000	.50
SDT1808	TO-68	80	60				15		2.0	50.0	.45	1.25	50.0	5.000	.50
SDT1809	TO-68	60	45				15		2.0	50.0	.45	1.25	50.0	5.000	.50
SDT1810	TO-68	40	30				15		2.0	50.0	.45	1.25	50.0	5.000	.50
SDT1908	MT-23	80	60				15		2.0	50.0	.45	1.25	50.0	5.000	.60

* t_{on} 15 μ s; t_{off} 10 μ s; @ V_{CE} 28V; I_C 50A

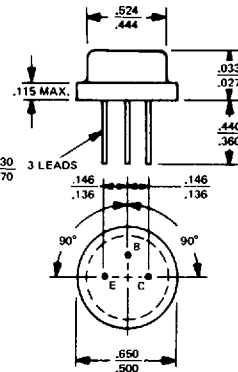
GERMANIUM POWER TRANSISTORS

CASE OUTLINE DRAWINGS & DIMENSIONS

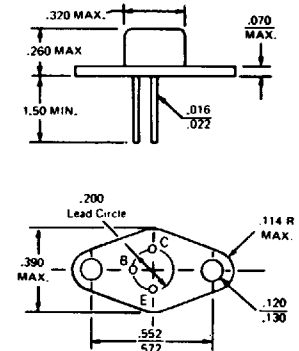
TO-5



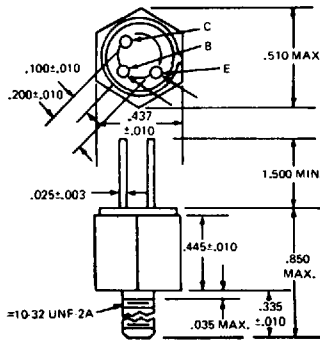
TO-8



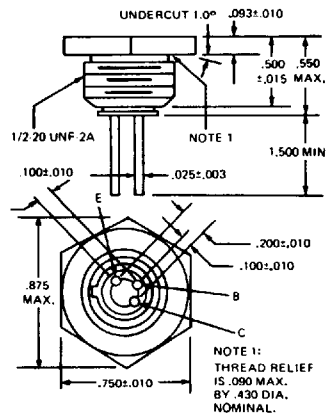
TO-37



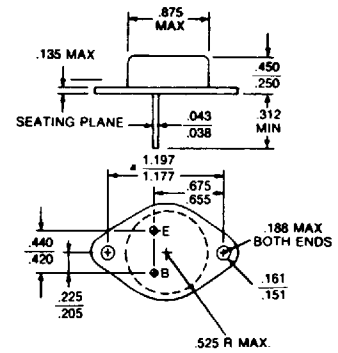
MT-27



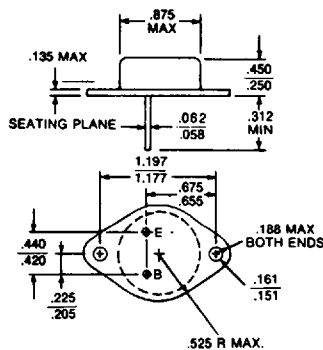
MT-28



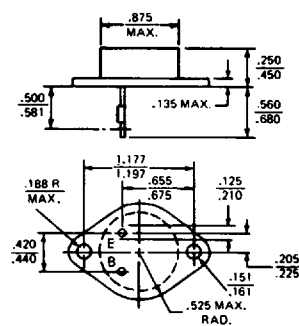
TO-3



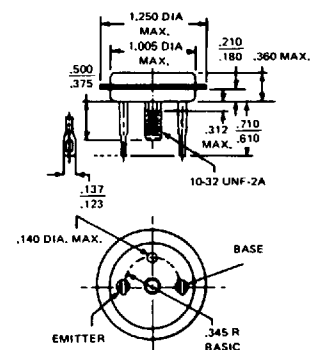
**MODIFIED TO-3
(60 mil pins)**



TO-41



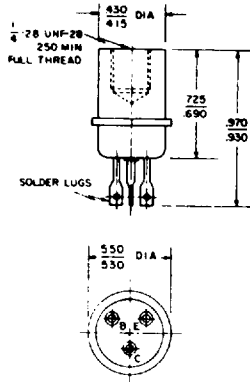
TO-36



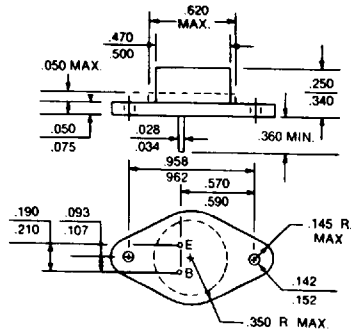
GERMANIUM POWER TRANSISTORS

CASE OUTLINE DRAWINGS & DIMENSIONS

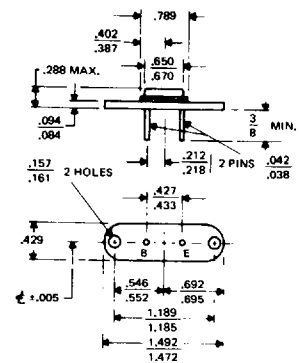
TO-13



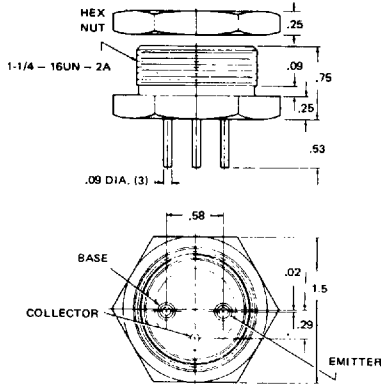
TO-66



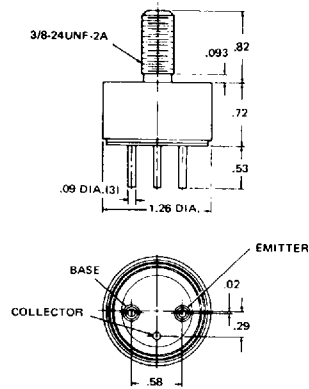
MS-7



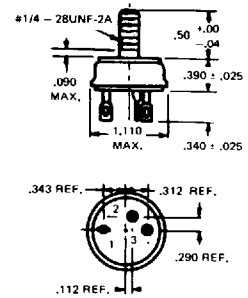
MT-22



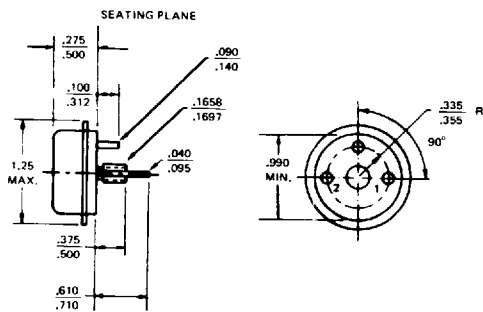
MT-23



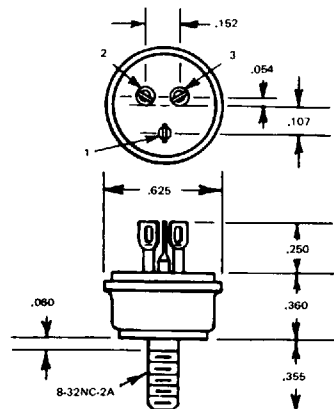
MT-7



TO-68



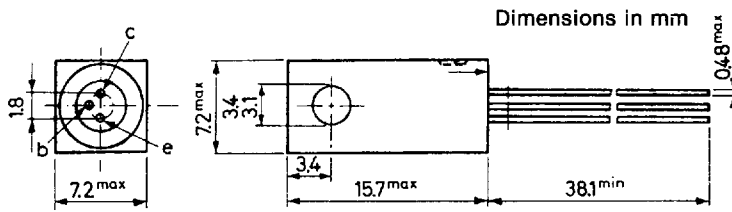
MT-36



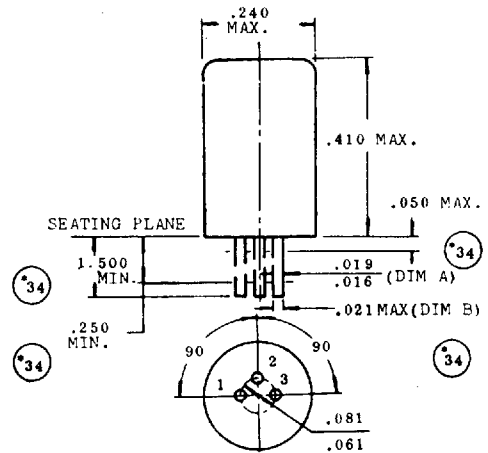
GERMANIUM POWER TRANSISTORS

CASE OUTLINE DRAWINGS & DIMENSIONS

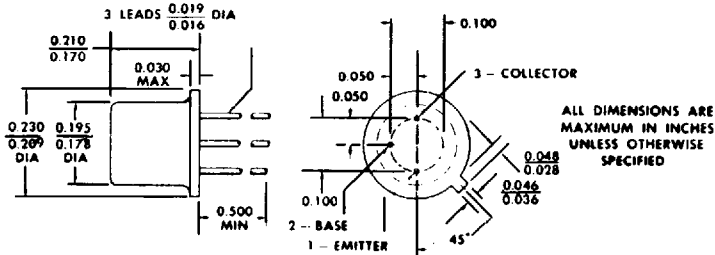
NS257



TO-1



TO-18



THE COLLECTOR IS ELECTRICAL CONTACT WITH THE CASE.

ALL JEDEC TO-18 DIMENSIONS AND NOTES ARE APPLICABLE.



GERMANIUM POWER DEVICES CORP.

300 Brickstone Square · York Street · P.O. Box 3065
Shawsheen Village Station · Andover, Massachusetts 01810
Telephone (508) 475-5982 · FAX (508) 470-1512

26

Printed in U.S.A.

■ 3947375 0000689 52T ■

54134

This datasheet has been downloaded from:

www.DatasheetCatalog.com

Datasheets for electronic components.



LittleDiode supplies new, hard to find or obsolete electronic components and semiconductors all over the world.

With over two million different components listed you are sure to find the part you need.

Feel free to visit us today at our online store:

LittleDiode.com

Looking forward to providing you with the best possible service.