

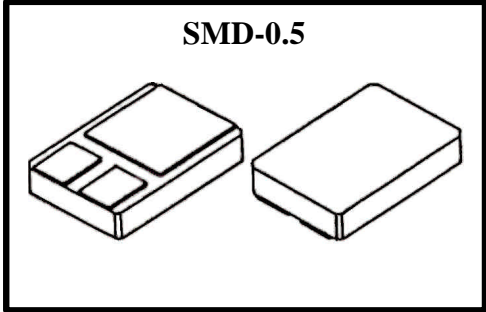
1N6845

**45 VOLTS, 40 AMP
 SCHOTTKY RECTIFIER
 CERAMIC SURFACE MOUNT**

DESIGNER'S DATA SHEET

FEATURES:

- Low Profile Ceramic SMD
- High Surge Rating
- Low Reverse Leakage Current
- Low Forward Voltage
- Seam Welded Package
- Low Capacitance
- Ultrasonic Aluminum Wire Bonds



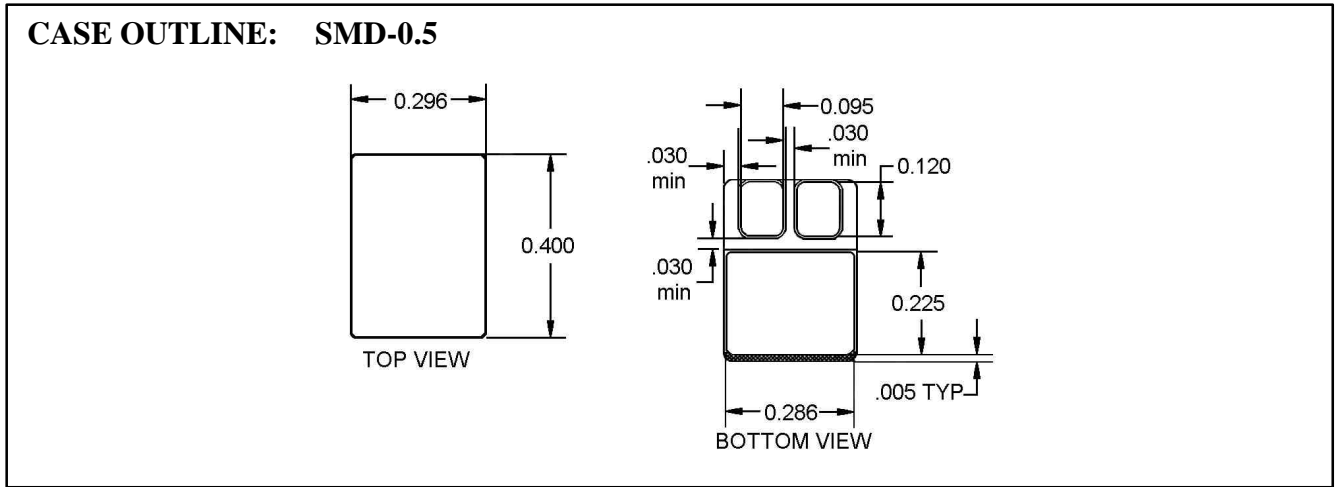
MAXIMUM RATINGS

RATING	SYMBOL	VALUE	UNIT
Peak Repetitive Reverse and DC Blocking Voltage 1N6845	V_{RRM} V_{RWN} V_R	45	Volts
Average Rectified Forward Current (Resistive Load, 60Hz, Sine Wave, TA = 25°C)	I_o	40	Amps
Peak Surge Current 8.3 ms Pulse, TA = 25°C	I_{FSM}	400	Amps
Operating & Storage Temperature	Top & Tstg	-55 to +150	°C
Maximum Thermal Resistance Junction to Case,	$R_{\theta JC}$	2.0	°C/W

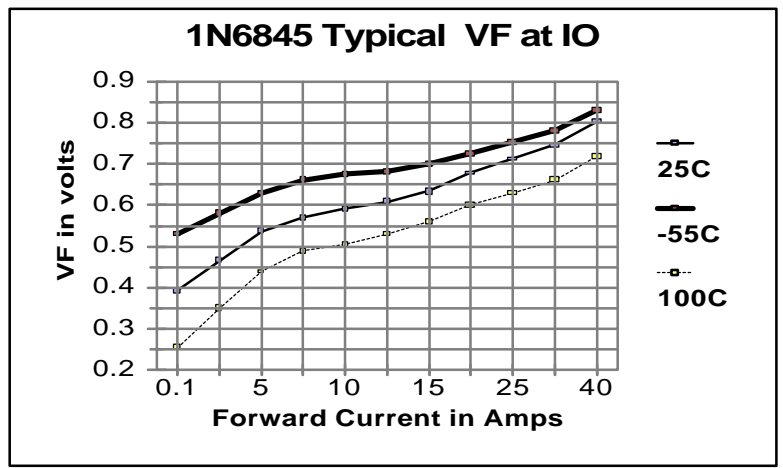
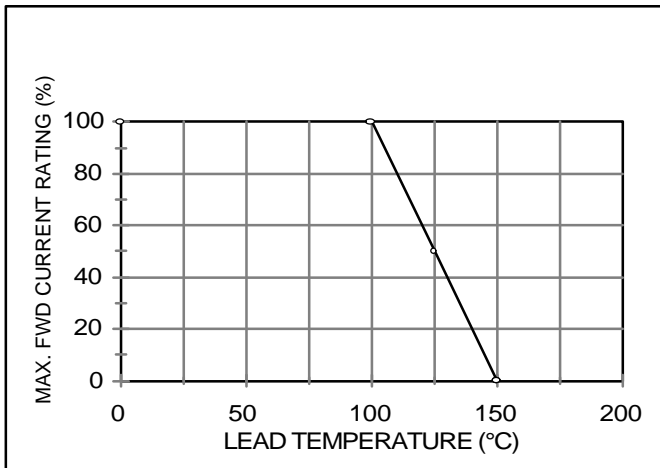
1/4/00

ELECTRICAL CHARACTERISTICS

CHARACTERISTICS	SYMBOL	MAX.	UNIT
Instantaneous Forward Voltage Drop ($I_F = 10 \text{ Adc}$, $T_A = 25^\circ\text{C}$, 300 μs Pulse) ($I_F = 20 \text{ Adc}$, $T_A = 25^\circ\text{C}$, 300 μs Pulse) ($I_F = 40 \text{ Adc}$, $T_A = 25^\circ\text{C}$, 300 μs Pulse)	V_F	0.65 0.72 0.86	Vdc
Instantaneous Forward Voltage Drop ($I_F = 20 \text{ Adc}$, $T_A = 100^\circ\text{C}$, 300 μs Pulse) ($I_F = 20 \text{ Adc}$, $T_A = -55^\circ\text{C}$, 300 μs Pulse)	V_F	0.65 0.78	Vdc
Reverse Leakage Current (Rated V_R , $T_A = 25^\circ\text{C}$, 300 μs pulse minimum)	I_R	100	μA
Reverse Leakage Current (Rated V_R , $T_A = 100^\circ\text{C}$, 300 μs pulse minimum)	I_R	10	mA
Junction Capacitance ($V_R = 10\text{Vdc}$, $T_A = 25^\circ\text{C}$, $f = 1 \text{ MHz}$)	C_J	800	Pf



TYPICAL OPERATING CURVES
 (TA=25°C Unless otherwise specified)





LittleDiode supplies new, hard to find or obsolete electronic components and semiconductors all over the world.

With over two million different components listed you are sure to find the part you need.

Feel free to visit us today at our online store:

LittleDiode.com

Looking forward to providing you with the best possible service.