

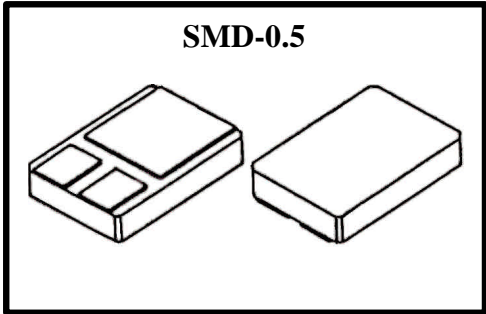
**1N6844**

**100 VOLTS, 20 AMP  
SCHOTTKY RECTIFIER  
CERAMIC SURFACE MOUNT**

**DESIGNER'S DATA SHEET**

**FEATURES:**

- Low Profile Ceramic SMD
- High Surge Rating
- Low Reverse Leakage Current
- Low Forward Voltage
- Seam Welded Package
- Low Capacitance
- Ultrasonic Aluminum Wire Bonds



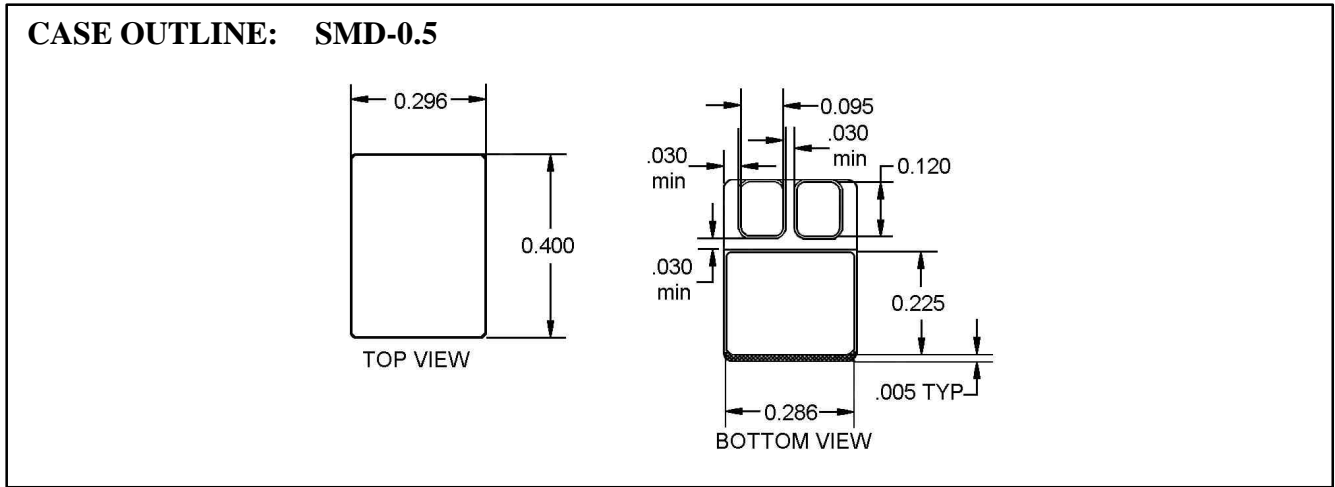
**MAXIMUM RATINGS**

RATING	SYMBOL	VALUE	UNIT
Peak Repetitive Reverse and DC Blocking Voltage  <b>1N6844</b>	$V_{RRM}$ $V_{RWN}$ $V_R$	<b>100</b>	<b>Volts</b>
Average Rectified Forward Current  (Resistive Load, 60Hz, Sine Wave, $T_A = 25^\circ\text{C}$ )	<b><math>I_o</math></b>	<b>20</b>	<b>Amps</b>
Peak Surge Current  (8.3 ms Pulse, $T_A = 25^\circ\text{C}$ , per leg)	<b><math>I_{FSM}</math></b>	<b>250</b>	<b>Amps</b>
Operating & Storage Temperature	<b>Top &amp; Tstg</b>	<b>-55 to +175</b>	<b><math>^\circ\text{C}</math></b>
Maximum Thermal Resistance Junction to Case,	<b><math>R_{\theta JC}</math></b>	<b>2.0</b>	<b><math>^\circ\text{C}/\text{W}</math></b>

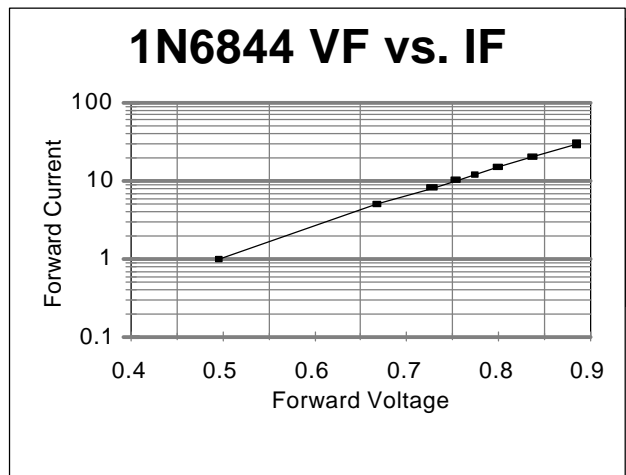
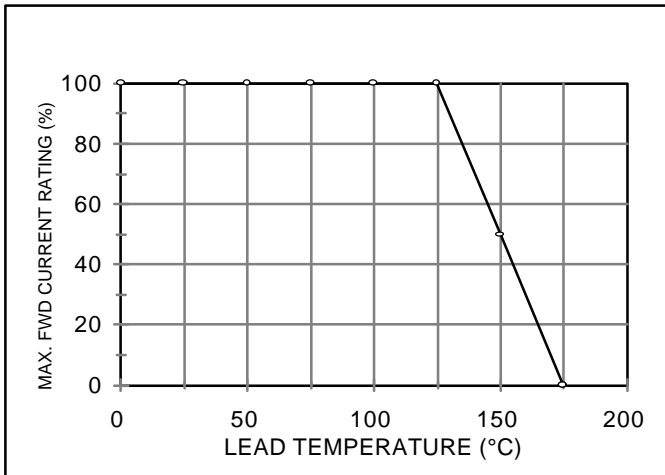
1/4/00

## ELECTRICAL CHARACTERISTICS

CHARACTERISTICS	SYMBOL	MAX.	UNIT
<b>Instantaneous Forward Voltage Drop</b> ( $I_F = 5 \text{ Adc}$ , $T_A = 25^\circ\text{C}$ , 300 $\mu\text{s}$ Pulse) ( $I_F = 15 \text{ Adc}$ , $T_A = 25^\circ\text{C}$ , 300 $\mu\text{s}$ Pulse) ( $I_F = 20 \text{ Adc}$ , $T_A = 25^\circ\text{C}$ , 300 $\mu\text{s}$ Pulse)	$V_F$	0.70 0.90 1.0	Vdc
<b>Instantaneous Forward Voltage Drop</b> ( $I_F = 5 \text{ Adc}$ , $T_A = 100^\circ\text{C}$ , 300 $\mu\text{s}$ Pulse) ( $I_F = 5 \text{ Adc}$ , $T_A = -55^\circ\text{C}$ , 300 $\mu\text{s}$ Pulse)	$V_F$	0.63 0.85	Vdc
<b>Reverse Leakage Current</b> (Rated $V_R$ , $T_A = 25^\circ\text{C}$ , 300 $\mu\text{s}$ pulse minimum)	$I_R$	50	$\mu\text{A}$
<b>Reverse Leakage Current</b> (Rated $V_R$ , $T_A = 100^\circ\text{C}$ , 300 $\mu\text{s}$ pulse minimum)	$I_R$	10	mA
<b>Junction Capacitance</b> ( $V_R = 10\text{Vdc}$ , $T_A = 25^\circ\text{C}$ , $f = 1 \text{ MHz}$ )	$C_J$	600	Pf



### TYPICAL OPERATING CURVES (TA=25°C Unless otherwise specified)





LittleDiode supplies new, hard to find or obsolete electronic components and semiconductors all over the world.

With over two million different components listed you are sure to find the part you need.

Feel free to visit us today at our online store:

[LittleDiode.com](http://LittleDiode.com)

Looking forward to providing you with the best possible service.