

1N6840 AND 1N6841

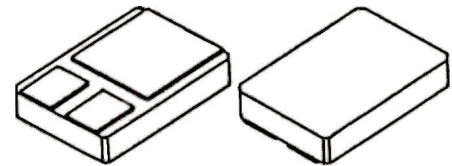
DESIGNER'S DATA SHEET

FEATURES:

- Low Profile Ceramic SMD
- High Surge Rating
- Low Reverse Leakage Current
- Low Forward Voltage
- Seam Welded Package
- Low Capacitance
- Ultrasonic Aluminum Wire Bonds

35 and 45 VOLTS, 10 AMP
 DUAL SCHOTTKY
 COMMON CATHODE
 CENTERTAP RECTIFIER

SMD-0.5



MAXIMUM RATINGS (per leg)

RATING	SYMBOL	VALUE	UNIT
Peak Repetitive Reverse and DC Blocking Voltage 1N6840 1N6841	V_{RRM} V_{RWN} V_R	 35 45	 Volts
Average Rectified Forward Current (Resistive Load, 60Hz, Sine Wave, TA = 25°C)	I_o	10	Amps
Peak Surge Current (8.3 ms Pulse, TA = 25°C, per leg)	I_{FSM}	200	Amps
Operating & Storage Temperature	Top & Tstg	-55 to +150	°C
Maximum Thermal Resistance Junction to Case, each individual diode Junction to Case <i>Note 1</i>	$R_{\theta JC}$	2.8 1.7	°C/W

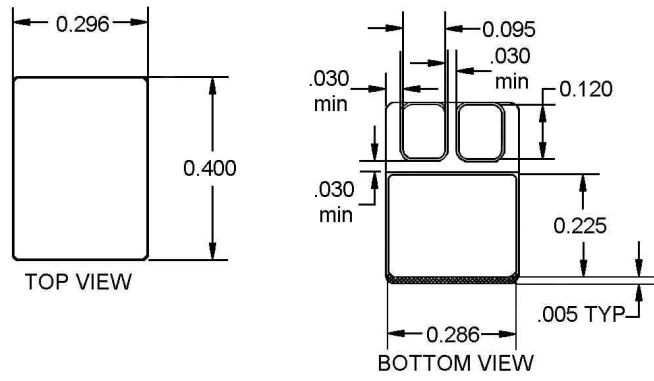
Note 1: Both legs tied together
 8/2/99

1N6840 AND 1N6841

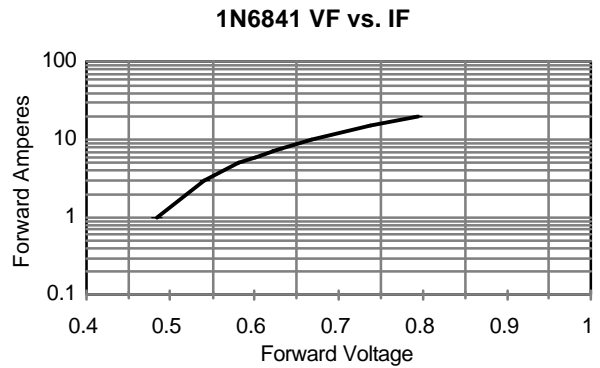
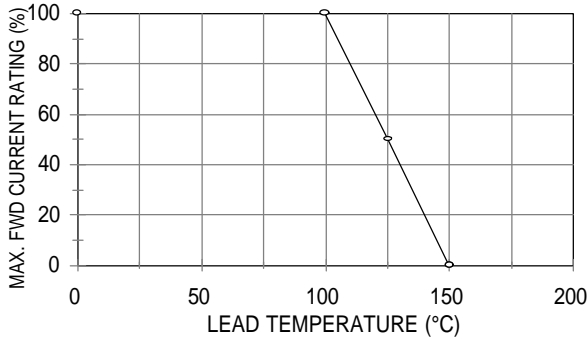
ELECTRICAL CHARACTERISTICS (per leg)

CHARACTERISTICS	SYMBOL	MAX.	UNIT
Instantaneous Forward Voltage Drop ($I_F = 3 \text{ Adc}$, $T_A = 25^\circ\text{C}$, 300 μs Pulse) ($I_F = 10 \text{ Adc}$, $T_A = 25^\circ\text{C}$, 300 μs Pulse) ($I_F = 20 \text{ Adc}$, $T_A = 25^\circ\text{C}$, 300 μs Pulse)	V_F	0.62 0.75 0.88	Vdc
Instantaneous Forward Voltage Drop ($I_F = 10 \text{ Adc}$, $T_A = 100^\circ\text{C}$, 300 μs Pulse) ($I_F = 20 \text{ Adc}$, $T_A = 100^\circ\text{C}$, 300 μs Pulse)	V_F	0.63 0.70	Vdc
Reverse Leakage Current (Rated V_R , $T_A = 25^\circ\text{C}$, 300 μs pulse minimum)	I_R	100	μA
Reverse Leakage Current (Rated V_R , $T_A = 100^\circ\text{C}$, 300 μs pulse minimum)	I_R	10	mA
Junction Capacitance $V_R = 10\text{Vdc}$, $T_A = 25^\circ\text{C}$, $f = 1 \text{ MHz}$)	C_J	400	Pf

CASE OUTLINE: SMD-0.5



TYPICAL OPERATING CURVES
 ($T_A = 25^\circ\text{C}$ Unless otherwise specified)





LittleDiode supplies new, hard to find or obsolete electronic components and semiconductors all over the world.

With over two million different components listed you are sure to find the part you need.

Feel free to visit us today at our online store:

LittleDiode.com

Looking forward to providing you with the best possible service.