

1N6819
(MSASC75W45F)

1N6819R
(MSASC75W45FR)

45 Volts
75 Amps

LOW LEAKAGE
CURRENT
SCHOTTKY DIODE

Features

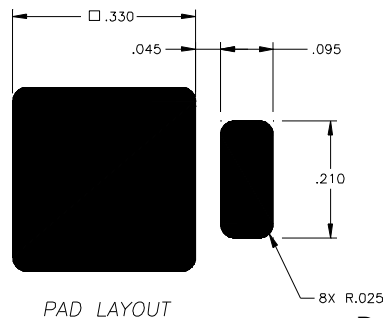
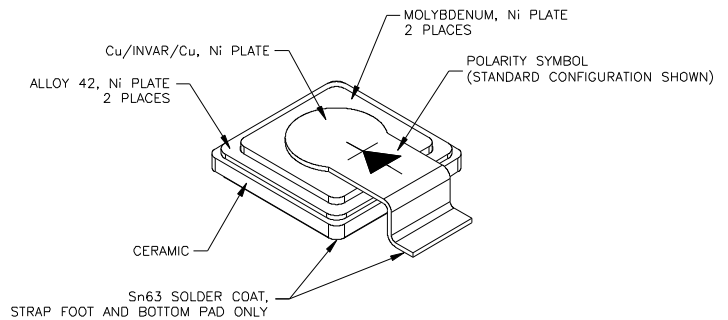
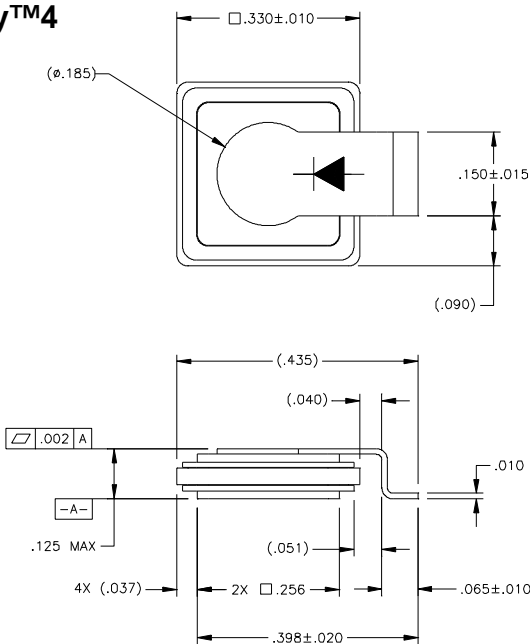
- Tungsten schottky barrier
- Oxide passivated structure for very low leakage currents
- Guard ring protection for increased reverse energy capability
- Epitaxial structure minimizes forward voltage drop
- Hermetically sealed, low profile ceramic surface mount power package
- Low package inductance
- Very low thermal resistance
- Available as standard polarity (strap is anode: 1N6819) and reverse polarity (strap is cathode: 1N6819R)

Maximum Ratings @ 25°C (unless otherwise specified)

DESCRIPTION	SYMBOL	MAX.	UNIT
Peak Repetitive Reverse Voltage	V_{RRM}	45	Volts
Working Peak Reverse Voltage	V_{RWM}	45	Volts
DC Blocking Voltage	V_R	45	Volts
Average Rectified Forward Current, $T_c \leq 125^\circ\text{C}$	$I_{F(ave)}$	75	Amps
derating, forward current, $T_c \geq 125^\circ\text{C}$	di_F/dT	4	Amps/ $^\circ\text{C}$
Nonrepetitive Peak Surge Current, $t_p = 8.3$ ms, half-sinewave	I_{FSM}	500	Amps
Peak Repetitive Reverse Surge Current, $t_p = 1\mu\text{s}$, $f = 1$ kHz	I_{RRM}	2	Amp
Junction Temperature Range	T_j	-55 to +150	$^\circ\text{C}$
Storage Temperature Range	T_{stg}	-55 to +150	$^\circ\text{C}$
Thermal Resistance, Junction to Case:	θ_{JC}	0.50 0.65	$^\circ\text{C/W}$
	1N6819 1N6819R		

Mechanical Outline

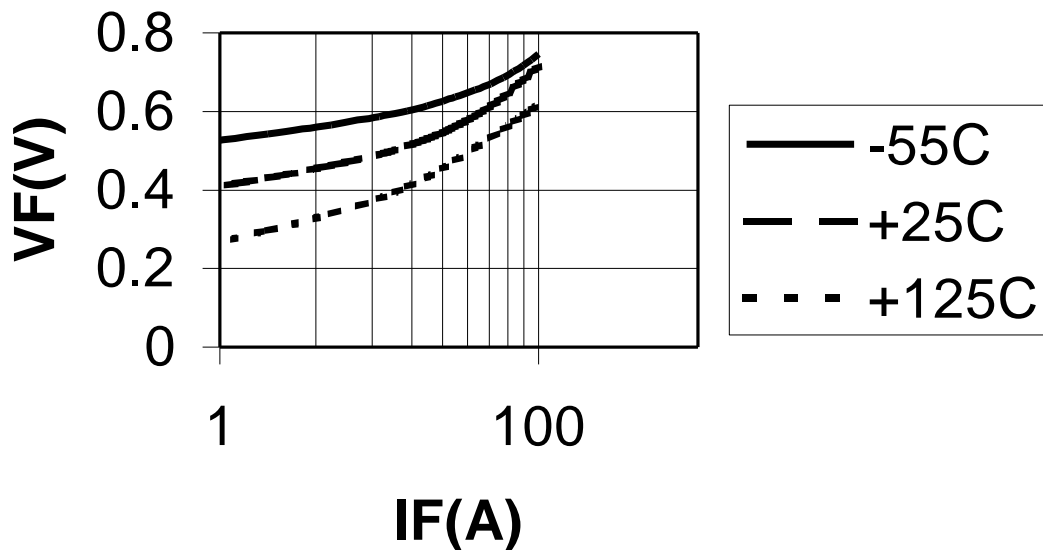
ThinKey™4



1N6819 (MSASC75W45F) 1N6819R (MSASC75W45FR)

Electrical Parameters

DESCRIPTION	SYMBOL	CONDITIONS	MIN	TYP.	MAX	UNIT
Reverse (Leakage)	IR ₂₅	VR= 45 Vdc, Tc= 25°C		100	750	uA
	IR ₁₂₅₋₁	VR= 12 Vdc, Tc= 125°C		1	-	mA
Current	IR ₁₂₅₋₂	VR= 36 Vdc, Tc= 125°C		2.5	-	mA
	IR ₁₂₅	VR= 45 Vdc, Tc= 125°C		4	50	mA
Forward Voltage pulse test, pw= 300 μs d/c≤ 2%	VF1	IF= 2 A, Tc= 25°C		435	-	mV
	VF2	IF= 10 A, Tc= 25°C		500	550	mV
	VF3	IF= 25 A, Tc= 25°C		550	625	mV
	VF4	IF= 50 A, Tc= 25°C		625	-	mV
	VF5	IF= 75 A, Tc= 25°C		685	760	mV
	VF6	IF= 100 A, Tc= 25°C		725	-	mV
	VF7	IF= 2 A, Tc= -55°C		550	-	mV
	VF8	IF= 10 A, Tc= -55°C		600	660	MV
	VF9	IF= 25 A, Tc= -55°C		630	700	MV
	VF10	IF= 50 A, Tc= -55°C		675	-	MV
	VF11	IF= 75 A, Tc= -55°C		715	800	mV
	VF12	IF= 2 A, Tc= 125°C		300	-	MV
	VF13	IF= 10 A, Tc= 125°C		385	440	MV
	VF14	IF= 25 A, Tc= 125°C		460	540	MV
	VF15	IF= 50 A, Tc= 125°C		540	-	MV
	VF16	IF= 75 A, Tc= 125°C		590	675	mV
		VFa	IF= 100 mA, Tc= 25°C		350	-
	VFb	IF= 100 mA, Tc= 125°C		200	-	mV
	VFc	IF= 100 mA, Tc= -55°C		485	-	mV
Junction Capacitance	Cj1	VR= 10 Vdc		1900	-	pF
	Cj2	VR= 5 Vdc		2500	3000	pF
Breakdown Voltage	BVR	IR= 5 mA, Tc= 25°C		55		V
		IR= 5 mA, Tc= -55°C	45	47		V



This datasheet has been downloaded from:

www.DatasheetCatalog.com

Datasheets for electronic components.



LittleDiode supplies new, hard to find or obsolete electronic components and semiconductors all over the world.

With over two million different components listed you are sure to find the part you need.

Feel free to visit us today at our online store:

LittleDiode.com

Looking forward to providing you with the best possible service.