

**1N6818**  
**(MSASC75H45F)**

**1N6818R**  
**(MSASC75H45FR)**

**45 Volts**

**75 Amps**

**LOW VOLTAGE  
 DROP SCHOTTKY  
 DIODE**

**Features**

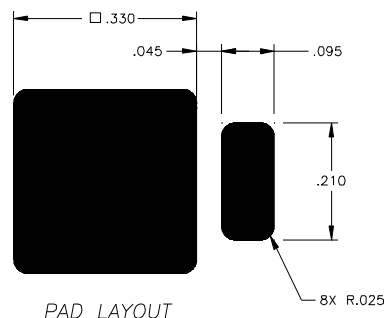
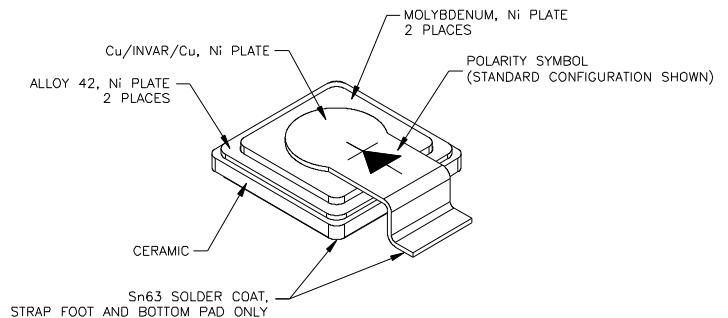
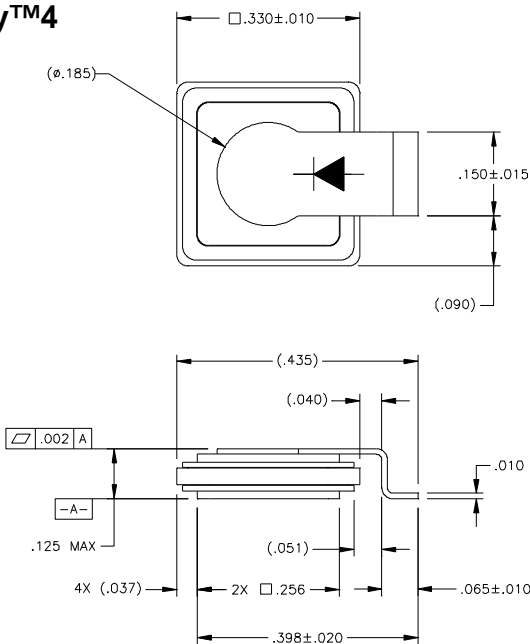
- Tungsten/Platinum schottky barrier for very low VF
- Oxide passivated structure for very low leakage currents
- Guard ring protection for increased reverse energy capability
- Epitaxial structure minimizes forward voltage drop
- Hermetically sealed, low profile ceramic surface mount power package
- Low package inductance
- Very low thermal resistance
- Available as standard polarity (strap is anode: 1N6818) and reverse polarity (strap is cathode: 1N6818R)

**Maximum Ratings @ 25°C (unless otherwise specified)**

DESCRIPTION	SYMBOL	MAX.	UNIT
Peak Repetitive Reverse Voltage	$V_{RRM}$	45	Volts
Working Peak Reverse Voltage	$V_{RWM}$	45	Volts
DC Blocking Voltage	$V_R$	45	Volts
Average Rectified Forward Current, $T_c \leq 125^\circ\text{C}$	$I_{F(ave)}$	75	Amps
derating, forward current, $T_c \geq 125^\circ\text{C}$	$di_F/dT$	4	Amps/ $^\circ\text{C}$
Nonrepetitive Peak Surge Current, $t_p = 8.3$ ms, half-sinewave	$I_{FSM}$	500	Amps
Peak Repetitive Reverse Surge Current, $t_p = 1\mu\text{s}$ , $f = 1$ kHz	$I_{RRM}$	2	Amp
Junction Temperature Range	$T_j$	-55 to +150	$^\circ\text{C}$
Storage Temperature Range	$T_{stg}$	-55 to +150	$^\circ\text{C}$
Thermal Resistance, Junction to Case:	$\theta_{JC}$	0.50 0.65	$^\circ\text{C/W}$
	1N6818 1N6818R		

**Mechanical Outline**

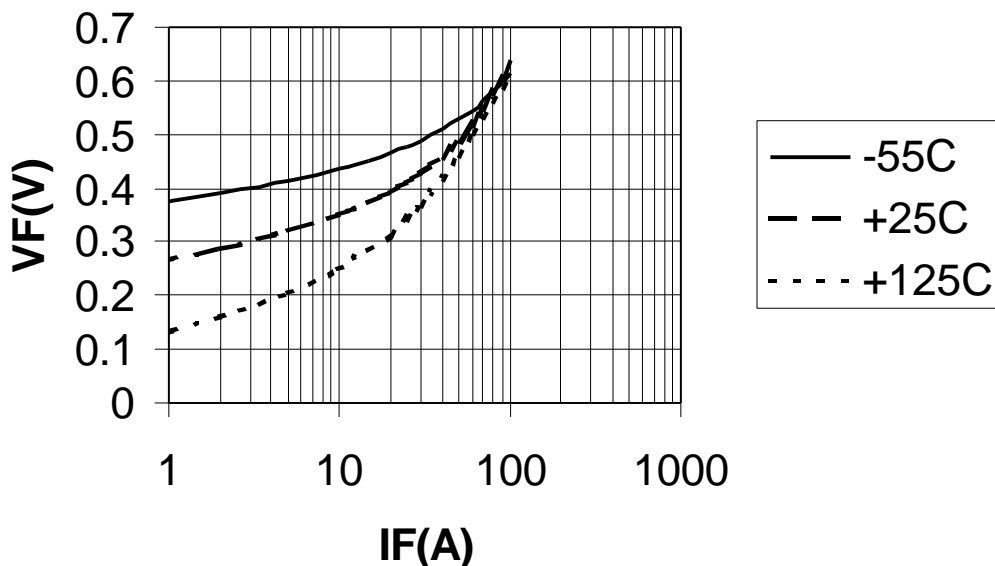
**ThinKey™4**



# 1N6818 (MSASC75H45F) 1N6818R (MSASC75H45FR)

## Electrical Parameters

DESCRIPTION	SYMBOL	CONDITIONS	MIN	TYP.	MAX	UNIT
Reverse (Leakage)	IR <sub>25</sub>	VR= 45 Vdc, Tc= 25°C		0.75	7.5	mA
	IR <sub>125-1</sub>	VR= 12 Vdc, Tc= 125°C		65	-	mA
Current	IR <sub>125-2</sub>	VR= 36 Vdc, Tc= 125°C		125	-	mA
	IR <sub>125</sub>	VR= 45 Vdc, Tc= 125°C		175	300	mA
Forward Voltage pulse test, pw= 300 μs d/c≤ 2%	VF1	IF= 2 A, Tc= 25°C		290	-	mV
	VF2	IF= 10 A, Tc= 25°C		350	400	mV
	VF3	IF= 25 A, Tc= 25°C		415	480	mV
	VF4	IF= 50 A, Tc= 25°C		500	-	mV
	VF5	IF= 75 A, Tc= 25°C		575	650	mV
	VF6	IF= 100 A, Tc= 25°C		650	-	mV
	VF7	IF= 2 A, Tc= -55°C		390	-	mV
	VF8	IF= 10 A, Tc= -55°C		440	500	MV
	VF9	IF= 25 A, Tc= -55°C		480	550	MV
	VF10	IF= 50 A, Tc= -55°C		535	-	MV
	VF11	IF= 75 A, Tc= -55°C		580	660	mV
	VF12	IF= 2 A, Tc= 125°C		165	-	MV
	VF13	IF= 10 A, Tc= 125°C		250	310	MV
	VF14	IF= 25 A, Tc= 125°C		350	420	MV
	VF15	IF= 50 A, Tc= 125°C		475	-	MV
	VF16	IF= 75 A, Tc= 125°C		565	650	mV
		VF <sub>a</sub>	IF= 100 mA, Tc= 25°C		200	-
	VF <sub>b</sub>	IF= 100 mA, Tc= 125°C		60	-	mV
	VF <sub>c</sub>	IF= 100 mA, Tc= -55°C		325	-	mV
Junction Capacitance	Cj1	VR= 10 Vdc		1850	-	pF
	Cj2	VR= 5 Vdc		2500	3000	pF
Breakdown Voltage	BVR	IR= 5 mA, Tc= 25°C		58		V
		IR= 5 mA, Tc= -55°C	45	50		V





LittleDiode supplies new, hard to find or obsolete electronic components and semiconductors all over the world.

With over two million different components listed you are sure to find the part you need.

Feel free to visit us today at our online store:

[LittleDiode.com](http://LittleDiode.com)

Looking forward to providing you with the best possible service.