

MSASC25W45K
(1N6816)
MSASC25W45KR
(1N6816R)

Features

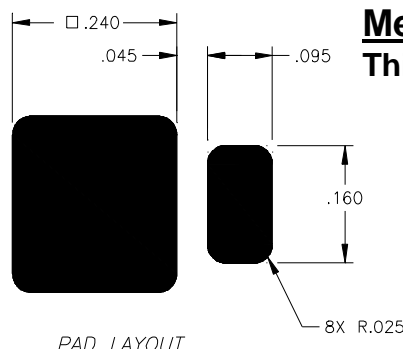
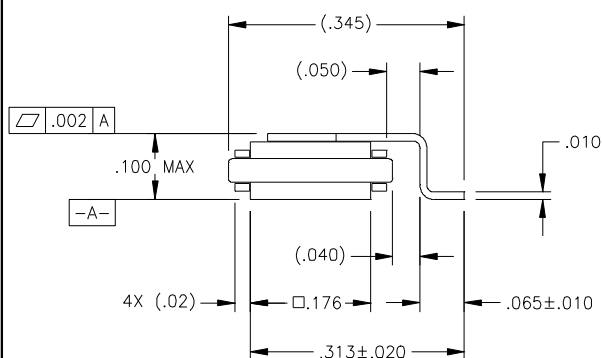
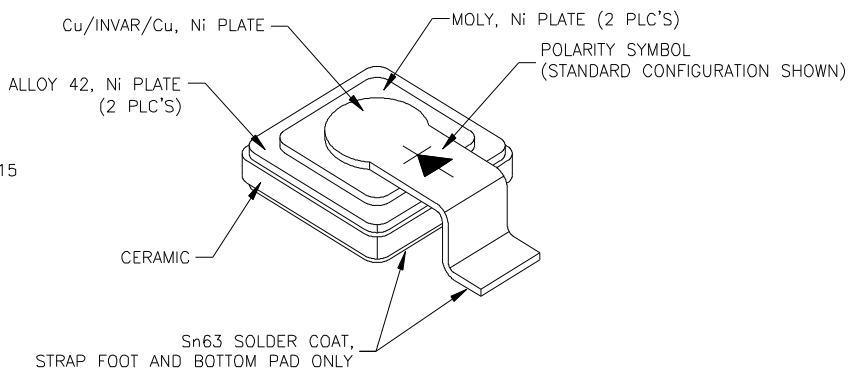
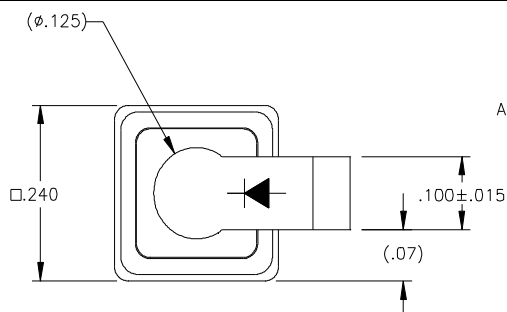
- Tungsten schottky barrier
- Oxide passivated structure for very low leakage currents
- Guard ring protection for increased reverse energy capability
- Epitaxial structure minimizes forward voltage drop
- Hermetically sealed, low profile ceramic surface mount power package
- Low package inductance
- Very low thermal resistance
- Available as standard polarity (strap-to-anode, 1N6816) and reverse polarity (strap-to-cathode: 1N6816R)

45 Volts
25 Amps

LOW LEAKAGE
SCHOTTKY DIODE

Maximum Ratings @ 25°C (unless otherwise specified)

DESCRIPTION	SYMBOL	MAX.	UNIT
Peak Repetitive Reverse Voltage	V_{RRM}	45	Volts
Working Peak Reverse Voltage	V_{RWM}	45	Volts
DC Blocking Voltage	V_R	45	Volts
Average Rectified Forward Current, $T_c \leq 145^\circ\text{C}$	$I_{F(ave)}$	25	Amps
derating, forward current, $T_c \geq 145^\circ\text{C}$	dl_F/dT	(3.3)	Amps/ $^\circ\text{C}$
Nonrepetitive Peak Surge Current, $t_p = 8.3$ ms, half-sinewave	I_{FSM}	125	Amps
Peak Repetitive Reverse Surge Current, $t_p = 1\mu\text{s}$, $f = 1$ kHz	I_{RRM}	2	Amp
Junction Temperature Range	T_j	-55 to +175	$^\circ\text{C}$
Storage Temperature Range	T_{stg}	-55 to +175	$^\circ\text{C}$
Thermal Resistance, Junction to Case:	θ_{JC}	1.25 1.35	$^\circ\text{C/W}$
	1N6816		
	1N6816R		



Mechanical Outline
ThinKey™2

MSASC25W45K (1N6816)
MSASC25W45KR (1N6816R)

Electrical Parameters

DESCRIPTION	SYMBOL	CONDITIONS	MIN	TYP.	MAX	UNIT
Reverse (Leakage) Current	IR ₂₅	VR= 45 Vdc, Tc= 25°C		5	300	μA
	IR ₁₂₅	VR= 45 Vdc, Tc= 125°C		1.5	10	mA
Forward Voltage pulse test, pw= 300 μs d/c≤ 2%	VF1	IF= 5A, Tc= 25°C		540	600	mV
	VF2	IF= 10A, Tc= 25°C		590	675	mV
	VF3	IF= 20A, Tc= 25°C		680	775	mV
	VF4	IF= 50A, Tc= 25°C		850	-	mV
	VF5	IF= 10A, Tc= -55°C		680	775	mV
	VF6	IF= 10A, Tc= 125°C		500	-	mV
Junction Capacitance	Cj1	VR= 10 Vdc		525	600	pF
	Cj2	VR= 5 Vdc		725		pF
Breakdown Voltage	BVR	IR= 1 mA, Tc= 25°C		55		V
		IR= 1 mA, Tc= -55°C	45	50		V



LittleDiode supplies new, hard to find or obsolete electronic components and semiconductors all over the world.

With over two million different components listed you are sure to find the part you need.

Feel free to visit us today at our online store:

LittleDiode.com

Looking forward to providing you with the best possible service.