

1N6742, R

PRELIMINARY

Features

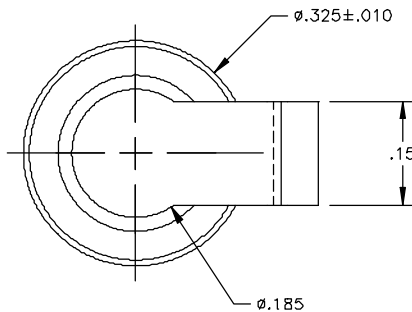
- Passivated mesa structure for very low leakage currents
- Hermetically sealed, low profile ceramic surface mount power package
- Low package inductance
- 5000 Watts peak power
- Very low thermal resistance
- Available as standard polarity (strap-to-anode) and reverse "R" polarity (strap-to-cathode)

**17 Volts
200 Amps
5KW**

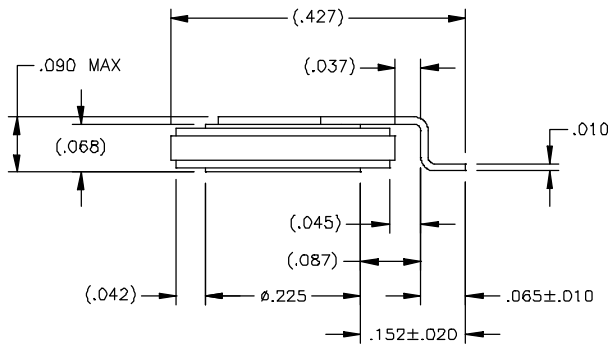
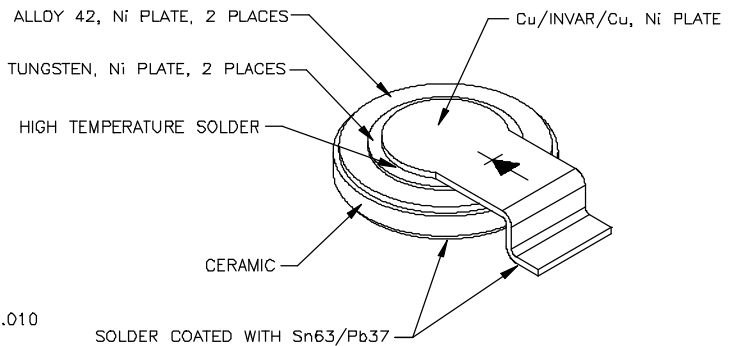
**TRANSIENT
VOLTAGE
SUPPRESSOR**

Maximum Ratings @ 25°C (unless otherwise specified)

| DESCRIPTION | SYMBOL | MAX. | UNIT |
|---|------------------|-------------|------------|
| Peak Power Dissipation | P _{pp} | 5000 | Watts |
| t _{clamping} :0 volts to VBR min (theoretical) | | < 1 | picosecond |
| Forward Surge Rating, 1/120 sec @25°C | I _{FSM} | 200 | Amps |
| Junction Temperature Range | T _j | -65 to +175 | °C |
| Storage Temperature Range | T _{stg} | -65 to +175 | °C |
| Thermal Resistance, Junction to Case: | θ _{JC} | 0.65 | °C/W |



**Mechanical Outline
Slugger™ 1 (DO-217AA)**



Note: Polarity symbol shown Applies to 1N6742.

1N6742, R

Electrical Parameters

| DESCRIPTION | SYMBOL | CONDITIONS | MIN | TYP. | MAX | UNIT |
|------------------------|-----------|---|------|------|-----|---------------|
| Breakdown Voltage | V_{BR} | $I_T = 1\text{mA}$, $T_c = 25^\circ\text{C}$ | 17 | | n/a | V |
| Rated Standoff Voltage | V_{WM} | | 15.3 | | | V |
| Reverse Voltage | V_{RMS} | | | | | |
| Reverse Leakage | I_D | 15.3V | | 1 | 5 | μA |
| Peak Reverse Voltage | V_C | $I_P = 200\text{A}$, exponential | | 22 | 26 | |
| Reverse Surge Current | I_{PP} | | | | 200 | A |



LittleDiode supplies new, hard to find or obsolete electronic components and semiconductors all over the world.

With over two million different components listed you are sure to find the part you need.

Feel free to visit us today at our online store:

LittleDiode.com

Looking forward to providing you with the best possible service.