

1N6710, 1N6710R
1N6711, 1N6711R

Features

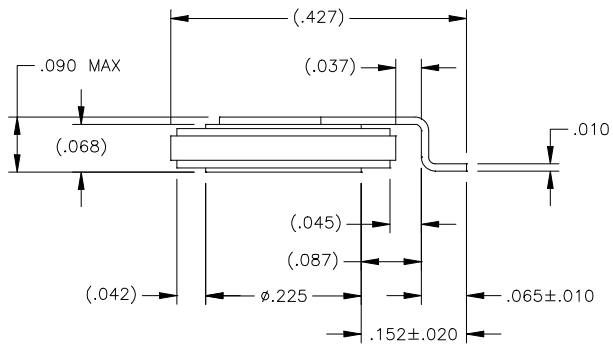
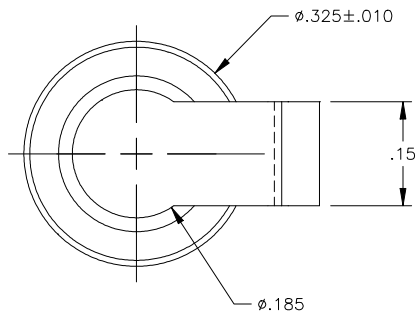
- passivated mesa structure for very low leakage currents
- Hermetically sealed, low profile ceramic surface mount power package
- Low package inductance
- Very low thermal resistance
- Available as standard polarity (strap-to-anode: 1N6710 and 1N6711) and reverse polarity (strap-to-cathode: 1N6710R and 1N6711R)

100 and 200 Volts
40 ns, 50 Amps

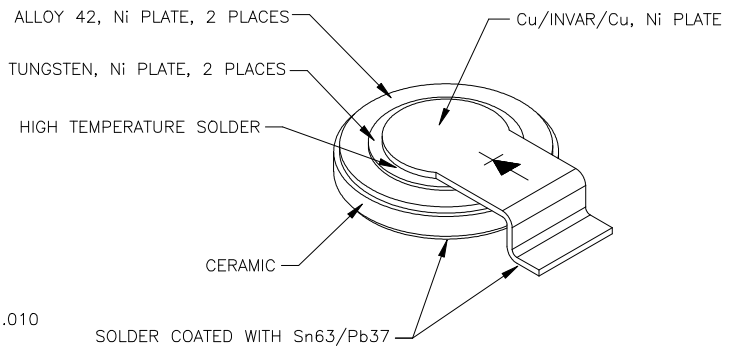
ULTRAFAST
RECTIFIER

Maximum Ratings @ 25°C (unless otherwise specified)

DESCRIPTION		SYMBOL	MAX.	UNIT
Peak Repetitive Reverse Voltage	1N6710,R 1N6711,R	V_{RRM}	100 200	Volts
Working Peak Reverse Voltage	1N6710,R 1N6711,R	V_{RWM}	100 200	Volts
DC Blocking Voltage	1N6710,R 1N6711,R	V_R	100 200	Volts
Average Rectified Forward Current, $T_c \leq 125^\circ\text{C}$		$I_{F(ave)}$	50	Amps
Nonrepetitive Peak Surge Current, $t_p = 8.3$ ms, half-sinewave		I_{FSM}	375	Amps
Junction Temperature Range		T_j	-65 to +175	$^\circ\text{C}$
Storage Temperature Range		T_{stg}	-65 to +175	$^\circ\text{C}$
Thermal Resistance, Junction to Case:		θ_{JC}	0.65	$^\circ\text{C/W}$



Mechanical Outline
Slugger™1 (DO-217AA)



Note: Polarity symbol shown applies to 1N6710 and 1N6711

1N6710, 1N6710R
1N6711, 1N6711R

PRELIMINARY

Electrical Parameters

DESCRIPTION	SYMBOL	CONDITIONS		MIN	TYP.	MAX	UNIT
Reverse (Leakage) Current	IR ₂₅	VR= rated VR, Tc= 25°C	ALL		.5	10	μA
	IR ₁₂₅	VR= rated VR, Tc= 125°C	ALL		.15	1	mA
Forward Voltage pulse test, pw= 300 μs d/c≤ 2%	VF1	IF= 1 A, Tc= 25°C	ALL		0.65	-	V
	VF2	IF= 10 A, Tc= 25°C	ALL		0.81	0.89	V
	VF3	IF= 30 A, Tc= 25°C	ALL		0.92	1.0	V
	VF4	IF= 50 A, Tc= 25°C	ALL		0.98	1.1	V
	VF5	IF= 1 A, Tc= 125°C	ALL		0.48	-	V
	VF6	IF= 10 A, Tc= 125°C	ALL		0.68	0.79	V
	VF7	IF= 30 A, Tc= 125°C	ALL		0.82	-	V
	VF8	IF= 50 A, Tc= 125°C	ALL		0.9	1.05	V
	VF9	IF= 1 A, Tc= -55°C	ALL		0.8	-	V
	VF10	IF= 10 A, Tc= -55°C	ALL		0.92	1.0	V
	VF11	IF= 30 A, Tc= -55°C	ALL		1.0	-	V
	VF12	IF= 50 A, Tc= -55°C	ALL		1.05	1.2	V
	VF	IF= 100 A, Tc= 25°C	ALL		1.1	-	V
Temperature Coefficient of Forward Voltage	dVF/dT	IF= 1 A (-55°C to 125°C, ave.) IF= 10 A (-55°C to 125°C, ave) IF= 30 A (-55°C to 125°C, ave)	ALL		1.8 1.35 1		mV/°C
Junction Capacitance	Cj1	VR= 10 Vdc VR= 5 Vdc	ALL		350 440	500	pF
Breakdown Voltage	BVR	IR= 100 μA, Tc= 25°C	1N6710,R	100	200		V
			1N6711,R	200	300		V
Reverse Recovery Time	trr	IF= .5 A, IR= 1 A, IRR= .25 A	ALL			40	ns



LittleDiode supplies new, hard to find or obsolete electronic components and semiconductors all over the world.

With over two million different components listed you are sure to find the part you need.

Feel free to visit us today at our online store:

LittleDiode.com

Looking forward to providing you with the best possible service.