

1N6711B

Surface Mount Rectifier

PRELIMINARY

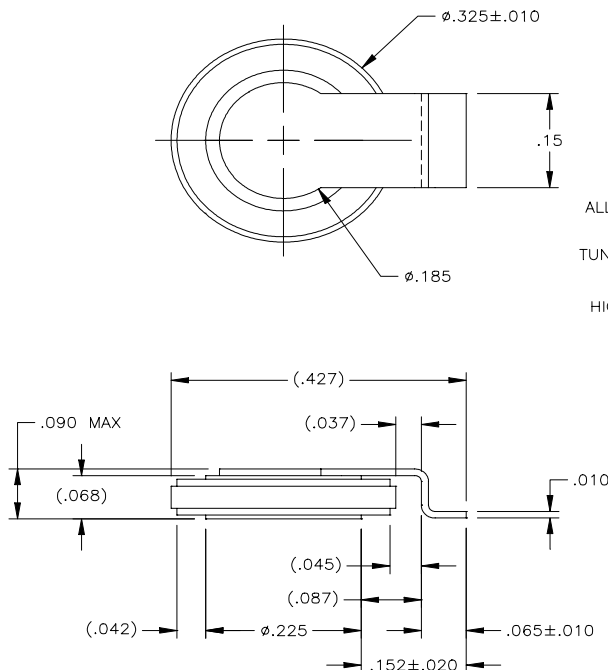
**200 Volts
50 Amps
5 usec**

Features

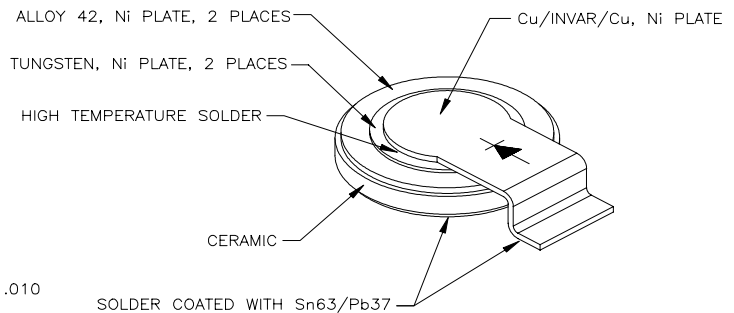
- Passivated mesa structure for very low leakage currents
- Hermetically sealed, low profile ceramic surface mount power package
- Low package inductance
- Very low thermal resistance
- Screening available to equivalent JAN(TX, TXV, S) level according to MIL-PRF 19500
- Available as standard polarity (strap-to-anode: 1N6711B) and reverse polarity (strap-to-cathode: 1N6711BR)

Maximum Ratings @ 25°C

DESCRIPTION	SYMBOL	MAX	UNIT
Peak Repetitive Reverse Voltage	VRRM	200	Volts
Working Peak Reverse Voltage	VRWM	200	Volts
DC Blocking Voltage	VR	200	Volts
Average Rectified Forward Current, Tc	IF(ave)	50	Amps
Nonrepetitive Peak Surge Current, tp= 8.3 ms, half-sinewave	IFSM	375	Amps
Junction Temperature Range	Tj	-65 to +175	C
Storage Temperature Range	Tstg	-65 to +175	C
Thermal Resistance, Junction to Case:	Theta JC	0.65	C/W



Mechanical Outline Slugger™1 (DO-217AA)



PRELIMINARY

Electrical Characteristics @ 25°C unless otherwise specified

DESCRIPTION	SYMBOL	CONDITIONS	MIN	TYP.	MAX	UNIT
Reverse (Leakage) Current	IR25	VR= rated VR, Tc= 25C		0.50	10	uA
	IR125	VR= rated VR, Tc= 125C		0.15	1	mA
Forward Voltage pulse test, pw= 300 us, d/c < 2%	VF1	IF= 1 A, Tc= 25C		0.65	-	V
	VF2	IF= 10 A, Tc= 25C		0.81	0.89	V
	VF3	IF= 30 A, Tc= 25C		0.92	1.00	V
	VF4	IF= 50 A, Tc= 25C		0.98	1.10	V
	VF5	IF= 1 A, Tc= 125C		0.48	-	V
	VF6	IF= 10 A, Tc= 125C		0.68	0.79	V
	VF7	IF= 30 A, Tc= 125C		0.82	-	V
	VF8	IF= 50 A, Tc= 125C		0.90	1.05	V
	VF9	IF= 1 A, Tc= -55C		0.80	-	V
	VF10	IF= 10 A, Tc= -55C		0.92	1.00	V
	VF11	IF= 30 A, Tc= -55C		1.00	-	V
	VF12	IF= 50 A, Tc= -55C		1.05	1.20	V
Temperature Coefficient of Forward Voltage	dVF/dT	IF= 1 A (-55C to 125C, ave.)		1.80		mV/C
		IF= 10 A (-55C to 125C, ave)		1.35		mV/C
		IF= 30 A (-55C to 125C, ave)		1.00		mV/C
Junction Capacitance	Cj1	VR= 10 Vdc		350	500	pF
		VR= 5 Vdc		440		pF
Breakdown Voltage	BVR	IR= 100 uA, Tc= 25C	100	200		V
Reverse Recovery Time	trr	IF= .5 A, IR= 1 A, IRR= .25 A		2	5	us



LittleDiode supplies new, hard to find or obsolete electronic components and semiconductors all over the world.

With over two million different components listed you are sure to find the part you need.

Feel free to visit us today at our online store:

LittleDiode.com

Looking forward to providing you with the best possible service.