

- AVAILABLE IN JAN, JANTX, JANTXV AND JANS
PER MIL-PRF-19500/533
- 500 mW ZENER DIODES
- NON CAVITY CONSTRUCTION
- METALLURGICALLY BONDED

**1N6309US
THRU
1N6320US**

MAXIMUM RATINGS

Operating Temperature: -65°C to +175°C
 Storage Temperature: -65°C to +175°C
 Power Dissipation: 500 mW @ $T_{EC}=+125^{\circ}C$
 Power Derating: 10 mW/°C above $T_{EC}=+125^{\circ}C$
 Forward Voltage: 1.4V dc @ $I_F=1A$ dc (pulsed)

ELECTRICAL CHARACTERISTICS @ 25°C, unless otherwise specified

| TYPE | V_{Z2} NOM. ±5% @ I_{Z2} | V_{Z1} MIN. @ I_{Z1} 250 μ A | I_{Z2} TEST CURRENT | Z_Z @ I_{Z2} | Z_{ZK} @ 250 μ A | I_{ZM} | V_Z (reg) ΔV_Z (1) | I_{ZSM} SURGE | V_R | I_{R1} @ 25°C | I_{R2} @ $T_A=$ 150°C | N_D @250 μ A 1-3 kHz |
|----------|---------------------------------------|---|-----------------------------|------------------------|------------------------------|----------|------------------------------------|--------------------|-------|-----------------------|----------------------------------|----------------------------------|
| | VOLTS | VOLTS | mA | OHMS | OHMS | mA | VOLTS | AMPS | VOLTS | μ A | μ A | μ V/ \sqrt{Hz} |
| 1N6309US | 2.4 | 1.1 | 20 | 30 | 1200 | 177 | 1.5 | 2.5 | 1.0 | 100 | 200 | 1.0 |
| 1N6310US | 2.7 | 1.2 | 20 | 30 | 1300 | 157 | 1.5 | 2.2 | 1.0 | 60 | 150 | 1.0 |
| 1N6311US | 3.0 | 1.3 | 20 | 29 | 1400 | 141 | 1.5 | 2.0 | 1.0 | 30 | 100 | 1.0 |
| 1N6312US | 3.3 | 1.5 | 20 | 24 | 1400 | 128 | 1.6 | 1.8 | 1.0 | 5.0 | 20 | 1.0 |
| 1N6313US | 3.6 | 1.8 | 20 | 22 | 1400 | 117 | 1.6 | 1.65 | 1.0 | 3.0 | 12 | 1.0 |
| 1N6314US | 3.9 | 2.0 | 20 | 20 | 1700 | 108 | 1.6 | 1.5 | 1.0 | 2.0 | 12 | 1.0 |
| 1N6315US | 4.3 | 2.4 | 20 | 18 | 1400 | 99 | 0.9 | 1.4 | 1.0 | 2.0 | 12 | 1.0 |
| 1N6316US | 4.7 | 2.8 | 20 | 16 | 1500 | 90 | 0.5 | 1.27 | 1.5 | 5.0 | 12 | 1.0 |
| 1N6317US | 5.1 | 3.3 | 20 | 14 | 1300 | 83 | 0.4 | 1.17 | 2.0 | 5.0 | 12 | 1.0 |
| 1N6318US | 5.6 | 4.3 | 20 | 8.0 | 1200 | 76 | 0.4 | 1.10 | 2.5 | 5.0 | 10 | 2.0 |
| 1N6319US | 6.2 | 5.2 | 20 | 3.0 | 800 | 68 | 0.3 | 0.97 | 3.5 | 5.0 | 10 | 5.0 |
| 1N6320US | 6.8 | 6.0 | 20 | 3.0 | 400 | 63 | 0.35 | 1.23 | 4.0 | 2.0 | 50 | 5.0 |

NOTE 1: $\Delta V_Z = V_Z @ 20$ mAdc minus $V_Z @ 2$ mAdc

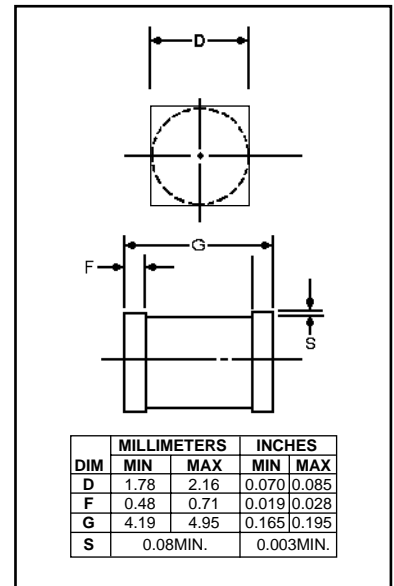


FIGURE 1

DESIGN DATA

CASE: D-5D, Hermetically sealed glass case, per MIL-PRF- 19500/533

LEAD FINISH: Tin / Lead

THERMAL RESISTANCE: ($R_{\theta JC}$): 50 °C/W maximum

THERMAL IMPEDANCE: ($Z_{\theta JX}$): 15 °C/W maximum

POLARITY: Diode to be operated with the banded (cathode) end positive.

MOUNTING SURFACE SELECTION:
 The Axial Coefficient of Expansion (COE) of this device is approximately + 4PPM / °C. The COE of the Mounting Surface System should be selected to provide a suitable match with this device.

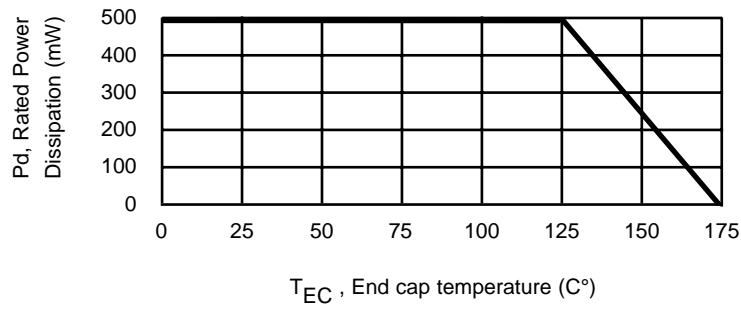


COMPENSATED DEVICES INCORPORATED

22 COREY STREET, MELROSE, MASSACHUSETTS 02176
 PHONE (781) 665-1071 FAX (781) 665-7379
 WEBSITE: <http://www.cdi-diodes.com> E-mail: mail@cdi-diodes.com

1N6309US thru 1N6320US

FIGURE 2



POWER DERATING CURVE

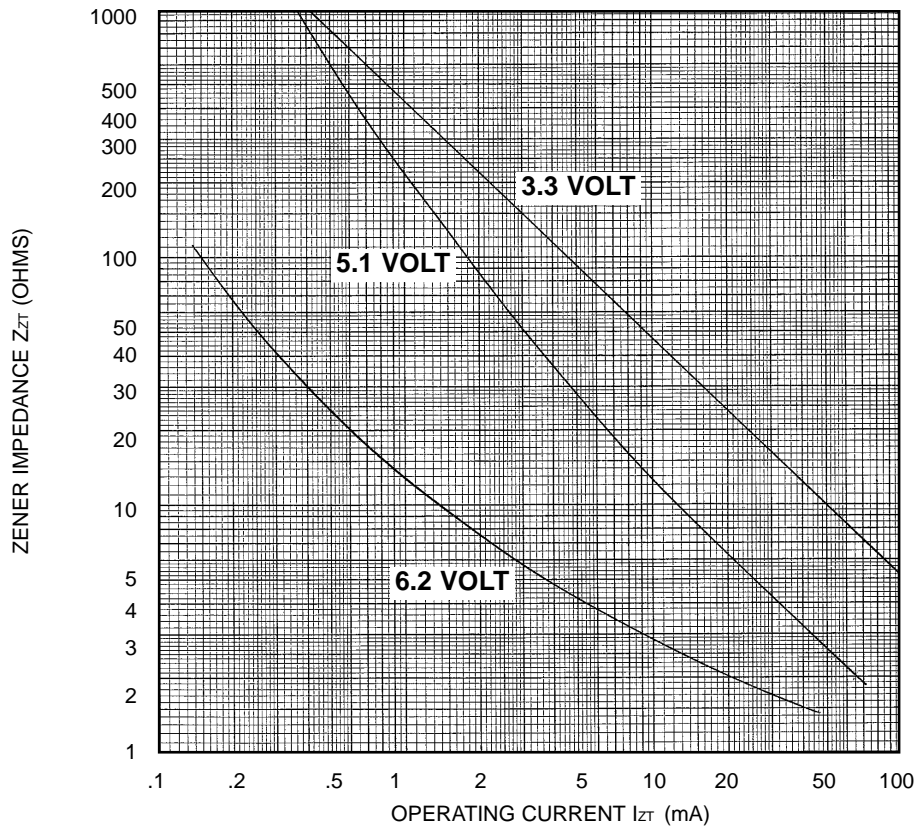


FIGURE 3

ZENER IMPEDANCE VS. OPERATING CURRENT



LittleDiode supplies new, hard to find or obsolete electronic components and semiconductors all over the world.

With over two million different components listed you are sure to find the part you need.

Feel free to visit us today at our online store:

LittleDiode.com

Looking forward to providing you with the best possible service.