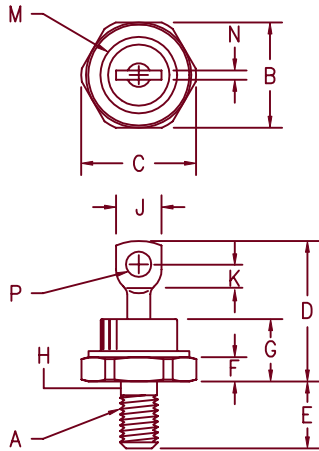


# Fast Recovery Rectifier

## 1N3909 — 1N3913



- Notes:
1. 1/4–28 UNF3A threads
  2. Full threads within 2 1/2 threads
  3. Standard Polarity: Stud is Cathode

Dim.	Inches		Millimeter		Notes
	Minimum	Maximum	Minimum	Maximum	
A	----	----	----	----	1
B	.669	.688	16.99	17.48	
C	----	.794	----	20.16	
D	.750	1.000	19.05	25.40	
E	.422	.453	10.72	11.51	
F	.115	.200	2.92	5.08	
G	----	.450	----	11.43	
H	.220	.249	5.58	6.32	2
J	.250	.375	6.35	9.53	
K	.156	----	3.96	----	
M	----	.667	----	16.94	Dia.
N	.030	.080	.760	2.03	
P	.140	.175	3.56	4.45	Dia.

### D0203AB (D05)

Microsemi Catalog Number	Working Peak Reverse Voltage	Repetitive Peak Reverse Voltage
1N3909*	50V	50V
1N3910*	100V	100V
1N3911*	200V	200V
1N3912*	300V	300V
1N3913*	400V	400V

\*Add the Suffix R for reverse polarity

- Fast Recovery Rectifier
- 150°C Junction Temperature
- 30 Amp current rating
- VRRM 50 to 400 Volts

#### Electrical Characteristics

Average forward current	$I_F(AV)$ 30 Amps	$T_C = 100^\circ C$ , Square wave, $R_{\theta JC} = 0.8^\circ C/W$
Maximum surge current	$I_{FSM}$ 300 Amps	8.3 ms, half sine $T_C = 100^\circ C$
Max peak forward voltage	$V_{FM}$ 1.40 Volts	$I_{FM} = 50A$ $T_J = 25^\circ C^*$
Max peak reverse voltage	$I_{RM}$ 6 mA	$V_{RRM}$ , $T_J = 150^\circ C$
Max peak reverse current	$R_M$ 15 $\mu A$	$V_{RRM}$ , $T_J = 25^\circ C$
Max reverse recovery time	$t_{RR}$ 200 ns	$I_F = 1A$ dc, $V_R = 30V$ , $di/dt = 25A/\mu s$
Typical junction capacitance	$C_J$ 130 pF	$V_R = 10V$ , $f = 1Mhz$ , $T_J = 25^\circ C$

\*Pulse test: Pulse width 300  $\mu sec$ , Duty cycle 2%

#### Thermal and Mechanical Characteristics

Storage temp range	TSTG	-65°C to 175°C
Operating junction temp range	$T_J$	-65°C to 150°C
Max thermal resistance	$R_{\theta JC}$	0.8°C/W Junction to case
Mounting torque		25–30 inch pounds
Weight		.54 ounces (15.3 grams) typical

# 1N3909 — 1N3913

Figure 1  
Typical Forward Characteristics

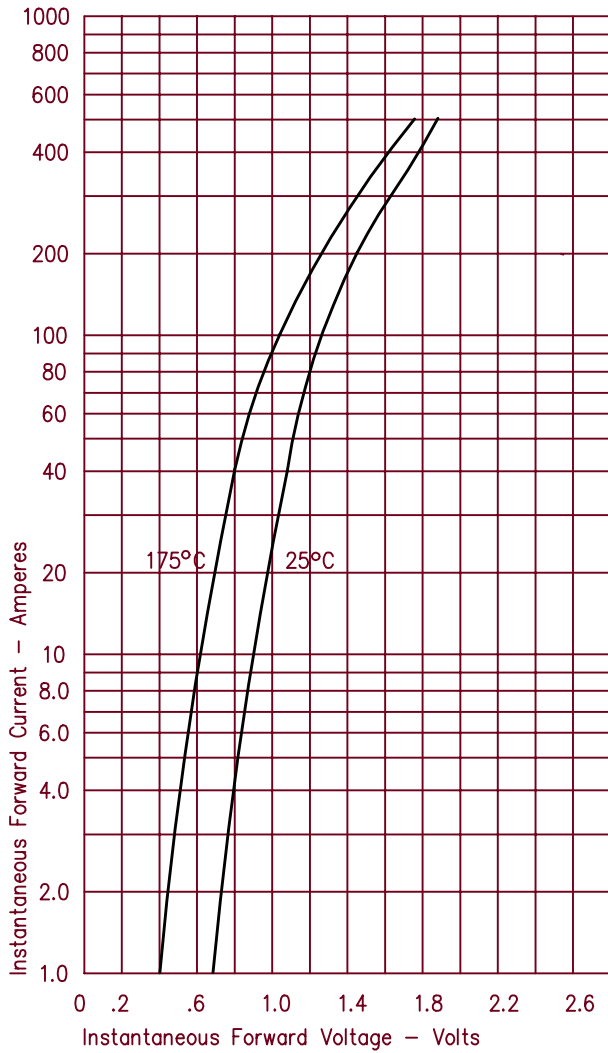


Figure 3  
Typical Junction Capacitance

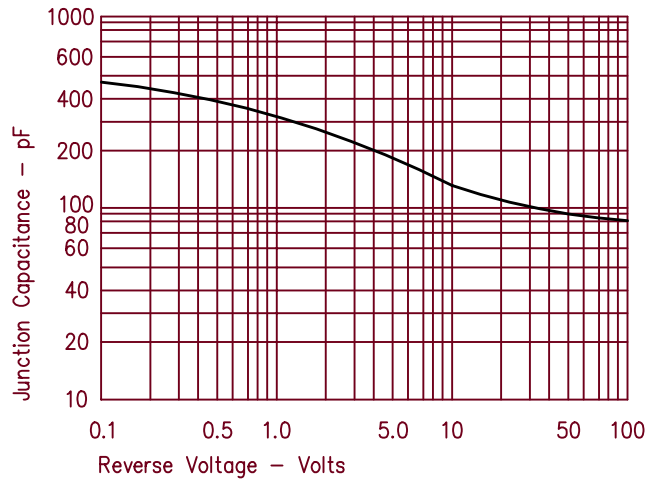


Figure 4  
Forward Current Derating

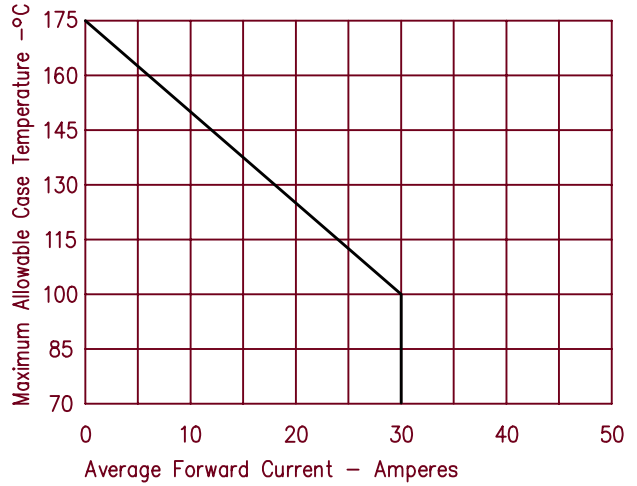
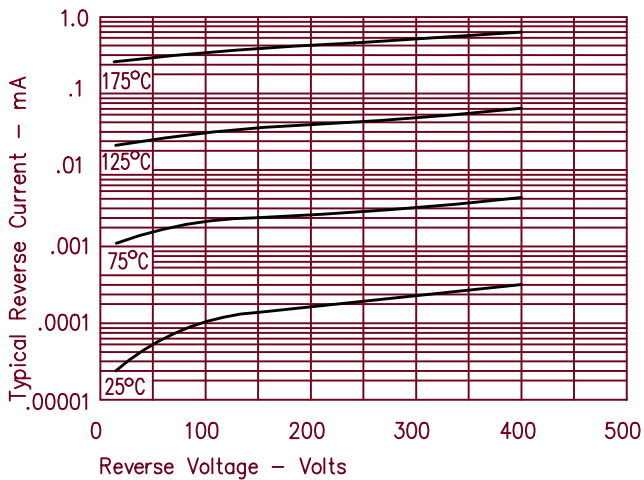


Figure 2  
Typical Reverse Characteristics





LittleDiode supplies new, hard to find or obsolete electronic components and semiconductors all over the world.

With over two million different components listed you are sure to find the part you need.

Feel free to visit us today at our online store:

[LittleDiode.com](http://LittleDiode.com)

Looking forward to providing you with the best possible service.