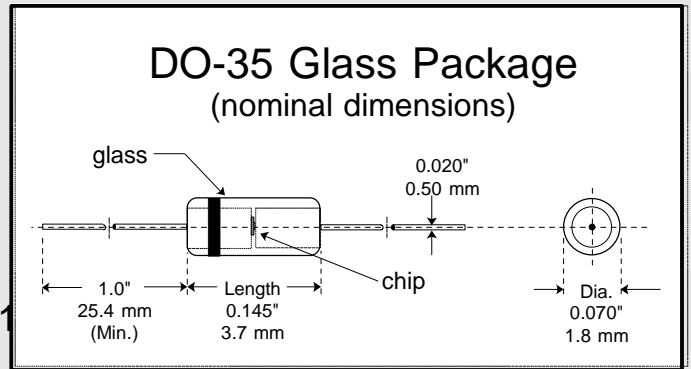


Applications

Used in instrumentation applications, where low leakage and high voltage isolation are important.

Features

- Six sigma quality
- Metallurgically bonded
- BKC's Sigma Bond™ plating for problem free solderability
- LL-34/35 MELF SMD available
- Full approval to Mil-S-19500/241
- Available up to JANTXV-1 levels
- "S" level screening available to Source Control Drawings using a DO-35 tungsten, hard glass voidless package for Space applications

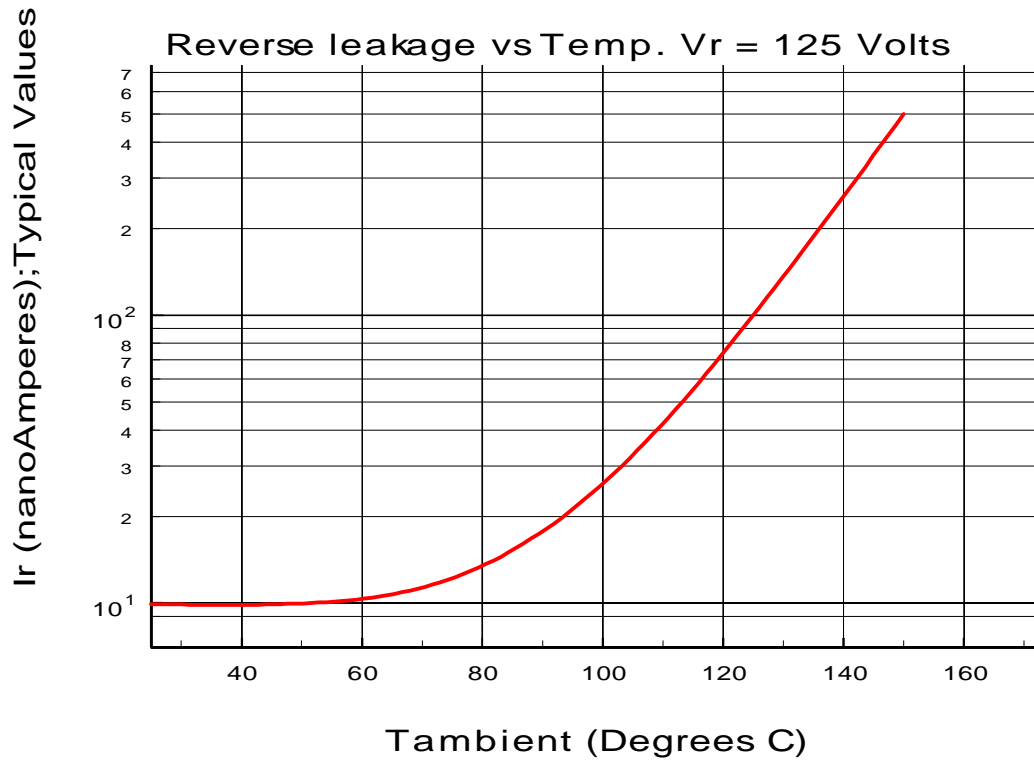


Maximum Ratings	Symbol	Value	Unit	
Peak Inverse Voltage	PIV	150 (Min.)	Volts	
Average Rectified Current	$I_{Avg}$	150	mAmps	
Continuous Forward Current	$I_{Fdc}$	150	mAmps	
Peak Surge Current ( $t_{peak} = 1 \mu\text{sec.}$ )	$I_{peak}$	4.0	Amps	
BKC Power Dissipation @ $T_L = 50 \text{ }^\circ\text{C}$ , $L = 3/8"$ from body	$P_{tot}$	500	mWatts	
Storage & Operating Temperature Range	$T_{St \& Op}$	-65 to +200	$^\circ\text{C}$	
Electrical Characteristics @ 25°C	Symbol	Minimum	Maximum	Unit
Forward Voltage Drop @ $I_F = 1 \text{ mA}$	$V_F$	0.52	0.68	Volts
Forward Voltage Drop @ $I_F = 5 \text{ mA}$	$V_F$	0.60	0.75	Volts
Forward Voltage Drop @ $I_F = 10 \text{ mA}$	$V_F$	0.65	0.80	Volts
Forward Voltage Drop @ $I_F = 50 \text{ mA}$	$V_F$	0.74	0.88	Volts
Forward Voltage Drop @ $I_F = 100 \text{ mA}$	$V_F$	0.79	0.92	Volts
Forward Voltage Drop @ $I_F = 200 \text{ mA}$	$V_F$	0.83	1.0	Volts
Reverse Leakage Current @ $V_R = 125 \text{ V}$	$I_R$		1.0	nA
Reverse Leakage Current @ $V_R = 125 \text{ V}$	$I_R$		500 @ 150°C	nA
Capacitance @ $V_R = 0 \text{ V}$ , $f = 1\text{MHz}$	$C_T$		8.0	pF
Reverse Recovery Time (note 1)	$t_{rr}$		3.0	$\mu\text{Secs}$

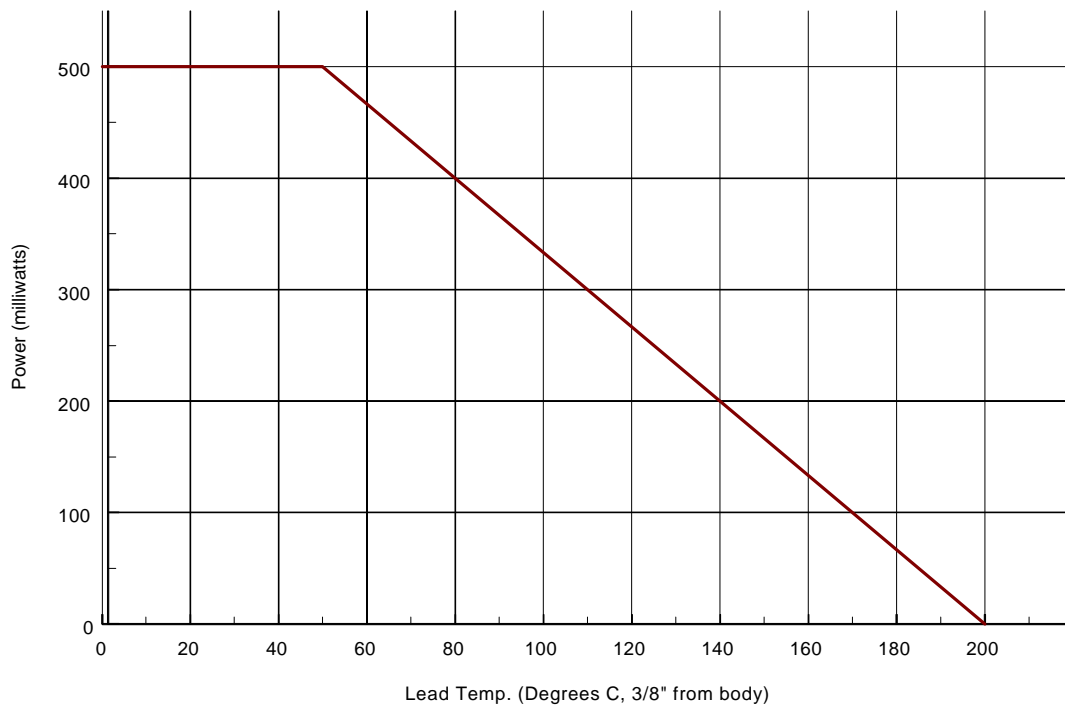
Note 1: Per Method 4031-B of MIL-STD-750 with  $I_F = 10 \text{ mA}$ ,  $V_R = 35\text{V}$ ,  $R_L = 1.0\text{K Ohms}$ ,  $C = 10 \text{ Pf}$

**For military parts use the 1N3595-1 number with the appropriate JAN, JTX or JTXV prefix.**  
 The SMD DO-213AA comes in commercial (LL3595) and military versions (1N3595UR-1).

1N3595 Low-leakage Diode



DO-35 Power Derating Curve



**Microsemi**

6 Lake Street - Lawrence, MA 01841

Tel: 978-681-0392 - Fax: 978-681-9135



LittleDiode supplies new, hard to find or obsolete electronic components and semiconductors all over the world.

With over two million different components listed you are sure to find the part you need.

Feel free to visit us today at our online store:

**[LittleDiode.com](http://LittleDiode.com)**

Looking forward to providing you with the best possible service.