

INTERNATIONAL RECTIFIER

1N3085, 1N3111, 1N5162 SERIES 150 Amp Avg Silicon Rectifier Diodes

Major Ratings and Characteristics

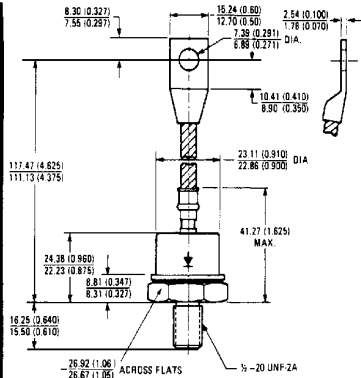
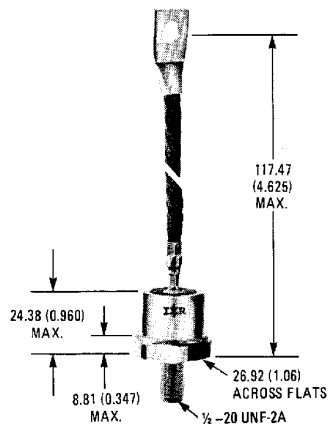
	1N3111	1N3085	1N5162	Units
$I_{F(AV)}$		150*		A
@ Max. T_C		150*		°C
I_{FSM} @ 50 Hz		2,850		A
@ 60 Hz		3,000*		
t^2_t @ 50 Hz		41,000		A ² s
@ 60 Hz		37,500		
I^2_{VT}		580,000		A ² V ² /s
V_{RRM} Range	50	100 – 1000	1200	V

*JEDEC registered value

Description and Features

- Alloy junction for soft recovery characteristics
- Rugged device for duty cycle applications
- Reverse voltage ratings up to 1200 volts
- Applications include power rectification in extreme environmental conditions

CASE STYLE AND DIMENSIONS



Conforms to JEDEC Outline DO-295AC IDO-30
All dimensions in Millimeters and (Inches)

VOLTAGE RATINGS

① Part Number	V_{RRM} Max. Repetitive Peak Reverse Voltage (V)	V_R Max. Direct Reverse Voltage (V)	$I_{R(AV)}$ Max. Average Reverse Current at Max. Rated $I_{F(AV)}$ and V_{RRM} . $T_C = 150^\circ\text{C}$ 1 Phase Operation (mA)
	$T_C = -65^\circ\text{C}$ to 200°C	$T_C = -65^\circ\text{C}$ to 200°C	
1N3111	50*	40*	25*
1N3085	100*	80*	25*
1N3086	200*	160*	17*
1N3087	300*	240*	17*
1N3088	400*	320*	17*
1N3089	500*	400*	17*
1N3090	600*	480*	17*
1N3091	800*	640*	16*
1N3092	1000*	800*	12*
1N5162	1200*	960*	10*

ELECTRICAL SPECIFICATIONS

		1N3111, 1N3085, 1N5162 Series	Units	Conditions
$I_{F(AV)}$	Max. average forward current	150*	A	180° sinusoidal conduction Max. $T_C = 150^\circ\text{C}$
I_{FSM}	Max. peak one-cycle non-repetitive surge current	2,850	A	Half cycle 50 Hz sine wave or 6 ms rectangular pulse
		3,000*		Following any rated load condition and with rated V_{RRM} applied
		3,400		Half cycle 60 Hz sine wave or 5 ms rectangular pulse
		3,550		Half cycle 50 Hz sine wave or 5 ms rectangular pulse
I^2t	Max. I^2t for fusing	41,000	A ² s	Half cycle 60 Hz sine wave or 5 ms rectangular pulse
		37,500		Following any rated load condition and with V_{RRM} applied following surge = 0
	Max. I^2t for individual device fusing	58,000		$t = 10$ ms With rated V_{RRM} applied following surge = 0
		53,000		$t = 8.3$ ms initial $T = 200^\circ\text{C}$
I^2t	Max. I^2t for individual device fusing ①	580,000	A ² /s	$t = 0.1$ to 10 ms, $V_{RRM} = 0$ following surge.
V_{FM}	Max. peak forward voltage	1.2*	V	$I_{F(AV)} = 150$ A (471 A peak), $T_C = 150^\circ\text{C}$

THERMAL-MECHANICAL SPECIFICATIONS

T_C	Max. operating case temperature range	-65° to 200°	$^\circ\text{C}$
T_{stg}	Max. storage temperature range	-65° to 200°	$^\circ\text{C}$
R_{thJC}	Max. internal thermal resistance, junction-to-case	0.25*	deg C/W DC operation
R_{thCS}	Thermal resistance, case-to-sink	0.10	deg C/W Mounting surface flat, smooth, and greased
T	Mounting torque	Min. 14.1 (125)	Nm (lbf-in)
		Max. 17.0 (150)	
wf	Approximate weight	91 (3.2)	g (oz)
*	Case style	DO-205AC (DO-30)	JEDEC

① Basic part number indicates cathode-to-case. For anode-to-case, add "R" to part number, e.g. 1N3086R.

*JEDEC registered values.

① I^2t for time $t_x = I^2\sqrt{t} \cdot \sqrt{t_x}$

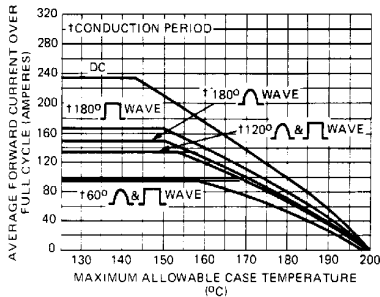


Fig. 1 – Average Forward Current Vs. Maximum Allowable Case Temperature

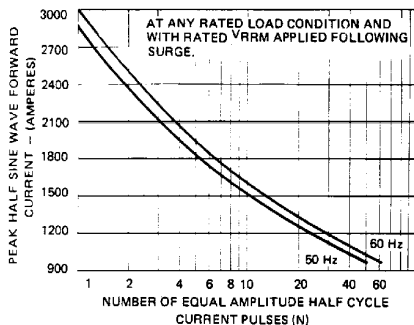


Fig. 3 – Maximum Non-Repetitive Surge Current Vs. Number of Current Pulses

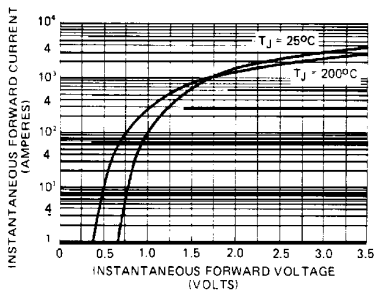


Fig. 4 – Maximum Forward Voltage Vs. Forward Current

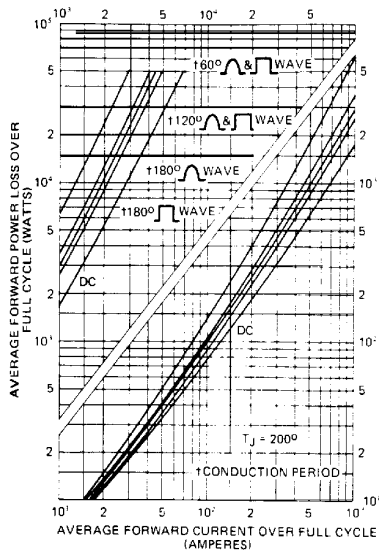


Fig. 2 – Maximum Forward Power Loss Vs. Average Forward Current

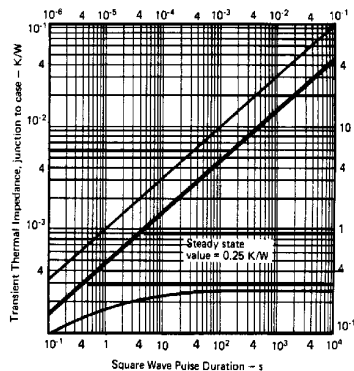


Fig. 5 – Maximum Transient Thermal Impedance, Junction-to-Case Vs. Pulse Duration



LittleDiode supplies new, hard to find or obsolete electronic components and semiconductors all over the world.

With over two million different components listed you are sure to find the part you need.

Feel free to visit us today at our online store:

LittleDiode.com

Looking forward to providing you with the best possible service.