

CentralTM Semiconductor Corp.

145 Adams Ave., Hauppauge, NY 11788 USA
Phone (631) 435-1110 FAX (631) 435-1824

Manufacturers of World Class Discrete Semiconductors
www.centrasemi.com

BD676 SERIES

PNP SILICON
POWER DARLINGTON TRANSISTOR

TO-126 CASE

DESCRIPTION

The Central Semiconductor BD676 Series are PNP Silicon Darlington Power Transistors, available in the plastic TO-126 package, and are designed for audio and video output applications.

MAXIMUM RATINGS ($T_A=25^\circ\text{C}$ unless otherwise noted)

	SYMBOL	BD676	BD678	BD680	BD682	BD684	UNITS
Collector-Base Voltage	V_{CBO}	45	60	80	100	120	V
Collector-Emitter Voltage	V_{CEO}	45	60	80	100	120	V
Emitter-Base Voltage	V_{EBO}	5	5	5	5	5	V
Collector Current	I_C			4			A
Peak Collector Current	I_{CM}			6			A
Base Current	I_B			100			mA
Power Dissipation	P_D			40			W
Operating and Storage							
Junction Temperature	T_J, T_{stg}			-65 to +150			$^\circ\text{C}$
Thermal Resistance	θ_{JC}			3.12			$^\circ\text{C/W}$
Thermal Resistance	θ_{JA}			100			$^\circ\text{C/W}$

ELECTRICAL CHARACTERISTICS ($T_A=25^\circ\text{C}$ unless otherwise noted)

SYMBOL	TEST CONDITIONS	MIN	TYP	MAX	UNITS
I_{CBO}	$V_{CB}=\text{Rated } V_{CBO}$			0.2	mA
I_{CBO}	$V_{CB}=0.6 \text{ Rated } V_{CBO}, T_C=150^\circ\text{C}$			2.0	mA
I_{CEO}	$V_{CE}=\frac{1}{2} \text{ Rated } V_{CEO}$			0.5	mA
I_{EBO}	$V_{EB}=5.0\text{V}$			5.0	mA
BV_{CEO}	$I_C=50\text{mA}$	RATED V_{CEO}			V
$V_{CE(\text{SAT})}$	$I_C=1.5\text{A}, I_B=6.0\text{mA}$ (BD676; $I_C=2.0\text{A}$)			2.5	V
V_{BEON}	$V_{CE}=3.0\text{V}, I_C=1.5\text{A}$ (BD676; $I_C=2.0\text{A}$)			2.5	V
h_{FE}	$V_{CE}=3.0\text{V}, I_C=1.5\text{A}$ (BD676; $I_C=2.0\text{A}$)	750			
h_{fe}	$V_{CE}=3.0\text{V}, I_C=1.5\text{A}, f=1.0\text{MHz}$ (BD676; $I_C=2.0\text{A}$)	10			
f_{hfe}	$V_{CE}=3.0\text{V}, I_C=1.5\text{A}$, (BD676; $I_C=2.0\text{A}$)		60		kHz

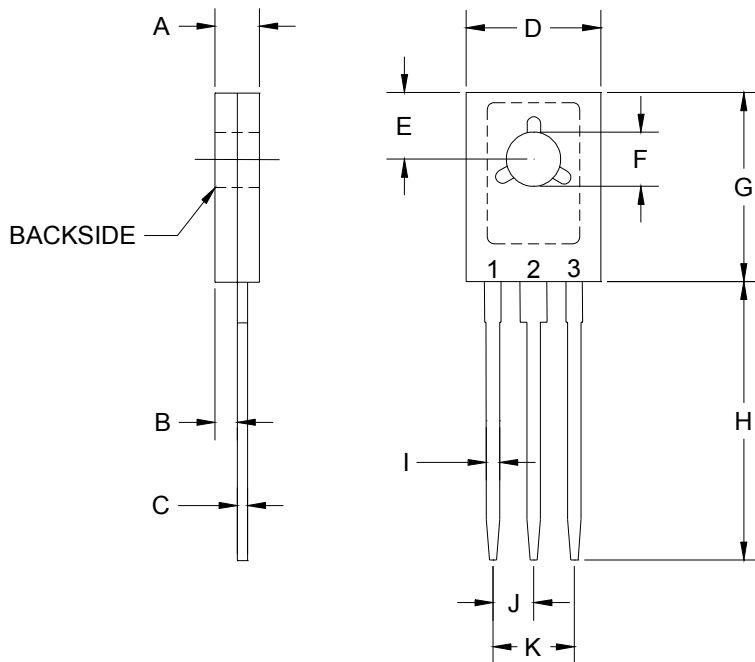
(SEE REVERSE SIDE)

R0

ELECTRICAL CHARACTERISTICS (CONTINUED)

SYMBOL	TEST CONDITIONS	MIN	TYP	MAX	UNITS
$I_{(SB)}$	$V_{CE}=50V, t_p=20ms$	0.8			A
$I_{(SB)}$	$V_{CE}=40V, t_p=20ms$ (BD676)	1.0			A
t_{on}	$I_{Con}=1.5A, I_{Bon}=I_{Boff}=6mA, V_{CC}=30V$	0.3	1.5		μs
t_{off}	$I_{Con}=1.5A, I_{Bon}=I_{Boff}=6mA, V_{CC}=30V$	1.5	5.0		μs

TO-126 PACKAGE - MECHANICAL OUTLINE



SYMBOL	INCHES		MILLIMETERS	
	MIN	MAX	MIN	MAX
A	0.094	0.106	2.39	2.69
B	0.047		1.19	
C	0.019	0.029	0.48	0.74
D	0.295	0.307	7.49	7.80
E	0.149		3.78	
F	0.118	0.126	3.00	3.20
G	0.413	0.425	10.49	10.80
H	0.618		15.70	
I	0.027	0.035	0.69	0.89
J	0.087		2.21	
K	0.173		4.39	

TO-126 (REV:R1)

R1

Lead Code:

- 1) Emitter
- 2) Collector
- 3) Base

Central™
Semiconductor Corp.

145 Adams Ave., Hauppauge, NY 11788 USA
Phone (631) 435-1110 FAX (631) 435-1824

Manufacturers of World Class Discrete Semiconductors
www.centrasemi.com



LittleDiode supplies new, hard to find or obsolete electronic components and semiconductors all over the world.

With over two million different components listed you are sure to find the part you need.

Feel free to visit us today at our online store:

LittleDiode.com

Looking forward to providing you with the best possible service.