

Transistors – bipolar

RF transistors

Plastic package TO 92

Type		Maximum ratings			Characteristics ($T_A = 25^\circ\text{C}$)						Figure
		V_{CE0}	I_C	P_{tot}	h_{FE}	I_C	V_{CE}	I_{CBO}	V_{CEsat}	f_T	
NPN	= N	V	I_{CM}^*	mW		mA	V	nA	V	MHz	
BF 199	N	25	25	500	$85 (\geq 38)$	7	10	≤ 100	–	550	30
BF 240	N	40	25	250	65 ... 220	1	10	≤ 100	–	400	
BF 241	N	40	25	250	35 ... 125	1	10	≤ 100	–	400	
BF 254	N	20	30	250	65 ... 220	1	10	≤ 100	–	260	
BF 255	N	20	30	250	35 ... 125	1	10	≤ 100	–	220	
BF 414	P	30	25	300	$80 (\geq 30)$	4	10	≤ 60	–	560	31
BF 450	P	40	25	250	65 ... 220	1	10	≤ 50	–	375	30
BF 451	P	40	25	250	35 ... 125	1	10	≤ 50	–	325	
BF 506	P	35	30	300	≥ 25	3	10	≤ 100	–	550	31
BF 606 A	P	30	25	300	≥ 30	1	10	≤ 60	–	700	30
BF 763	N	15	25	500	25 ... 250	5	10	≤ 50	$\leq 0,5$	2000	32
BF 959	N	20	100*	500	$85 \dots (\geq 40)$	20	10	≤ 100	≤ 1	1100	30

Plastic package T-plast

BF 970	P	35	30	160	$50 (\geq 25)$	3	10	≤ 100	–	950	33
BF 979 S	P	25	50*	160	≥ 20	10	10	≤ 100	–	1600	

TO 92

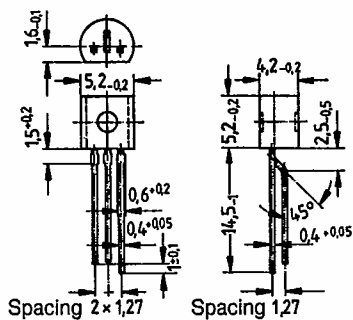


Figure 30



Figure 31

TO 92

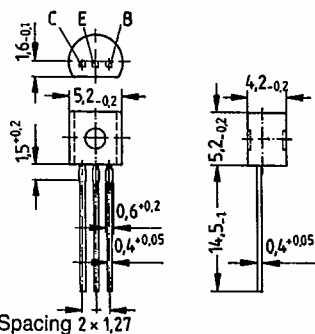


Figure 32 Spacing 2x1,27

T-plast

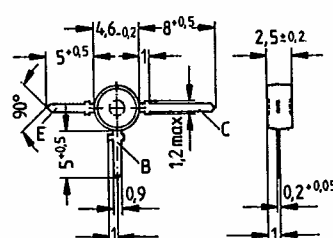


Figure 33

This datasheet has been downloaded from:

www.DatasheetCatalog.com

Datasheets for electronic components.



LittleDiode supplies new, hard to find or obsolete electronic components and semiconductors all over the world.

With over two million different components listed you are sure to find the part you need.

Feel free to visit us today at our online store:

LittleDiode.com

Looking forward to providing you with the best possible service.