

PS / 2 Mouse Controller

BU9206

The BU9206 is a PS / 2 mouse communication controller for PCs. This processor shapes waveforms and counts signals from the mouse rotary encoder as the mouse is moved, to provide two-way communication between mouse and PC system.

●Applications

PC mouse

●Features

- 1) For PS / 2 mouse.
- 2) Compatible with a wide range of input signals, because it automatically sets the input threshold levels for the X and Y direction, corresponding to the output level of the rotary encoder inside the mouse.
- 3) CMOS process enables low current consumption.

●Absolute maximum ratings (Ta = 25°C)

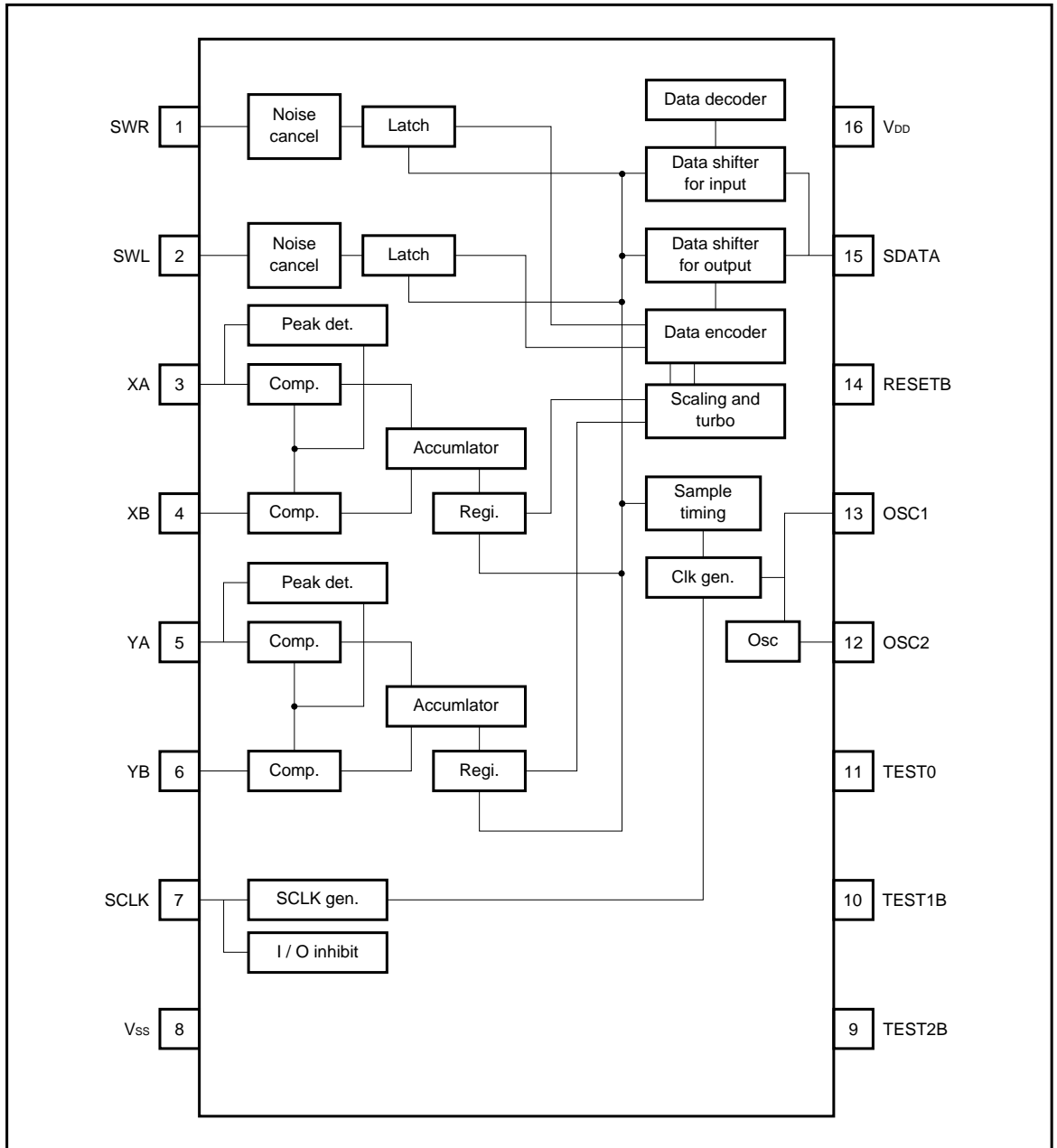
Parameter	Symbol	Limits	Unit
Power supply voltage	V _{DD}	- 0.3 ~ + 7.0	V
Power dissipation	P _d	1000*	mW
Operating temperature	T _{opr}	- 25 ~ + 75	°C
Storage temperature	T _{stg}	- 55 ~ + 125	°C
Input voltage	V _{IN}	- 0.3 ~ V _{DD} + 0.3	V
Output voltage	V _{OUT}	- 0.3 ~ V _{DD} + 0.3	V

* Reduced by 10 mW for each increase in Ta of 1°C over 25°C.

●Recommended operating conditions (Ta = 25°C)

Parameter	Symbol	Min.	Typ.	Max.	Unit	Application pin
Power supply voltage	V _{DD}	4.5	5.0	5.5	V	V _{DD}
H input voltage 1	V _{IH1}	0.8*V _{DD}	—	V _{DD}	V	SWR, SWL, TEST2B, TEST1B, TEST0, RESETB
H input voltage 2	V _{IH2}	0.4*V _{DD}	—	V _{DD}	V	SCLK, SDATA
L input voltage 1	V _{IL1}	0	—	0.2*V _{DD}	V	SWR, SWL, TEST2B, TEST1B, TEST0, RESETB
L input voltage 2	V _{IL2}	0	—	0.16*V _{DD}	V	SCLK, SDATA
XY input H voltage	V _{AUP}	0.3*V _{DD}	—	0.8*V _{DD}	V	XA, XB, YA, YB
XY input L voltage	V _{ALP}	0	—	0.48*V _{AUP}	V	XA, XB, YA, YB

●Block diagram



● Pin descriptions

Pin No.	Pin name	I / O	Function	I / O format
1	SWR	IN	Right switch input Pull-up resistor built in Low active	
2	SWL	IN	Left switch input Pull-up resistor built in Low active	
3	XA	IN	Rotary encoder X-direction, A-phase input	
4	XB	IN	Rotary encoder X-direction, B-phase input	
5	YA	IN	Rotary encoder Y-direction, A-phase input	
6	YB	IN	Rotary encoder Y-direction, B-phase input	
7	SCLK	I / O	Serial clock input / output Pull-up resistor built in Open drain output	
8	V _{SS}	—	Input / output reference voltage: 0V	—
9	TEST2B	IN	Tip test input Pull-up resistor built in Low active	
10	TEST1B	IN	Normally open or connected to V _{DD}	
11	TEST0	IN	Pull-up resistor built in Normally connected to GND	

Pin No.	Pin name	I / O	Function	I / O format
12	OSC2	IN	Pin to connect oscillator for clock	
13	OSC1	OUT	Connect a 4MHz oscillator between OSC1 and OSC2.	
14	RESETB	IN	Reset input Pull-up resistor built in Low active	
15	SDATA	I / O	Serial data input / output Pull-up resistor built in Open drain output	
16	V _{DD}	—	Power supply pin Connect a 4.5 - 5.5V power supply.	—

●Electrical characteristics (unless otherwise noted, Ta = 25°C, VDD = 5.0V)

Parameter	Symbol	Min.	Typ.	Max.	Unit	Conditions	Applied pin
Supply current	I _{DD}	0.5	2.1	4.0	mA	f _{CK} = 4.0MHz	V _{DD}
Output low level voltage 1	V _{OL1}	—	0.43	0.6	V	I _{SINK} = 4.0mA	SCLK, SDATA
Input low level current 1	I _{IL1}	98	130	195	μA	V _{IN} = V _{SS}	SWR, SWL, TEST0, RESETB
Input low level current 2	I _{IL2}	330	440	660	μA	V _{IN} = V _{SS}	TEST1B, TEST2B
Input low level current 3	I _{IL3}	0.75	1.0	1.5	mA	V _{IN} = V _{SS}	SCLK, SDATA
Input low level current 4	I _{IL4}	—	—	10	μA	V _{IN} = V _{SS}	XA, XB, YA, YB
Input high level current 1	I _{IH1}	—	—	10	μA	V _{IN} = V _{DD}	SWR, SWL, TEST0, RESETB
Input high level current 2	I _{IH2}	—	—	10	μA	V _{IN} = V _{DD}	TEST1B, TEST2B
Input high level current 3	I _{IH3}	—	—	10	μA	V _{IN} = V _{DD}	SCLK, SDATA
Input high level current 4	I _{IH4}	—	—	10	μA	V _{IN} = V _{DD}	XA, XB, YA, YB
OSC2 input current	I _{OSC}	—	± 6	± 20	μA	V _{IN} = GND or V _{DD}	OSC2
Oscillation frequency	f _{OSC}	—	4.0	—	MHz		OSC1

●Application circuit

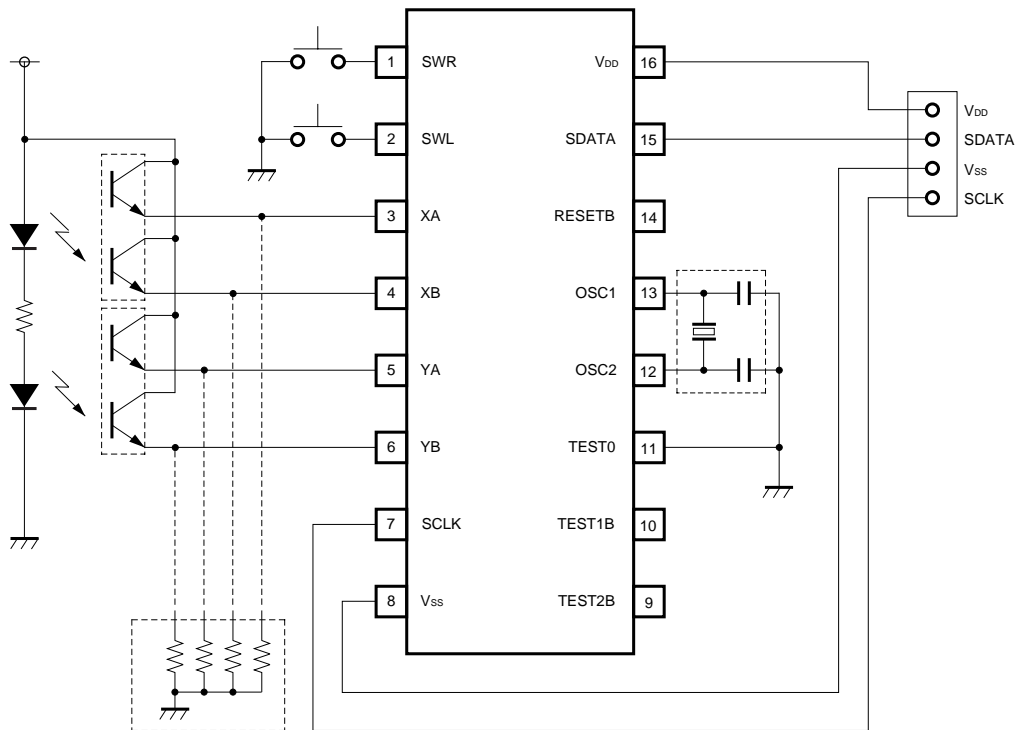
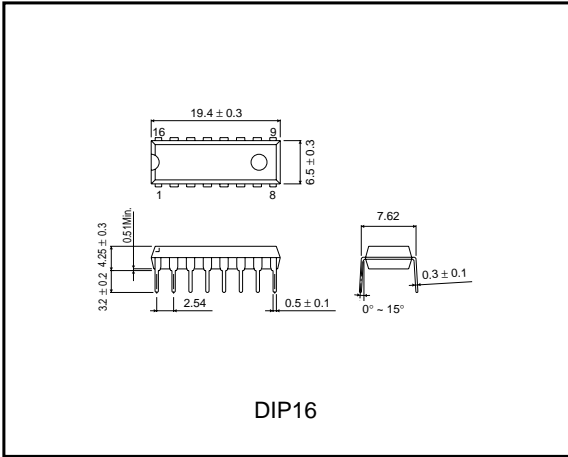


Fig. 1

●External dimensions (Units: mm)





LittleDiode supplies new, hard to find or obsolete electronic components and semiconductors all over the world.

With over two million different components listed you are sure to find the part you need.

Feel free to visit us today at our online store:

LittleDiode.com

Looking forward to providing you with the best possible service.