

LED level meter driver, 5-point, VU scale

BA6154

The BA6154 is a driver IC for LED VU level meters in stereo equipment and other display applications. The IC displays the input level (range : -10dB to $+6\text{dB}$) on a 5-point, bar-type LED display. The BA6137 includes a rectifier amplifier allowing direct AC input, and has constant-current outputs, so it can directly drive the LEDs without variations in LED current due to supply voltage fluctuations.

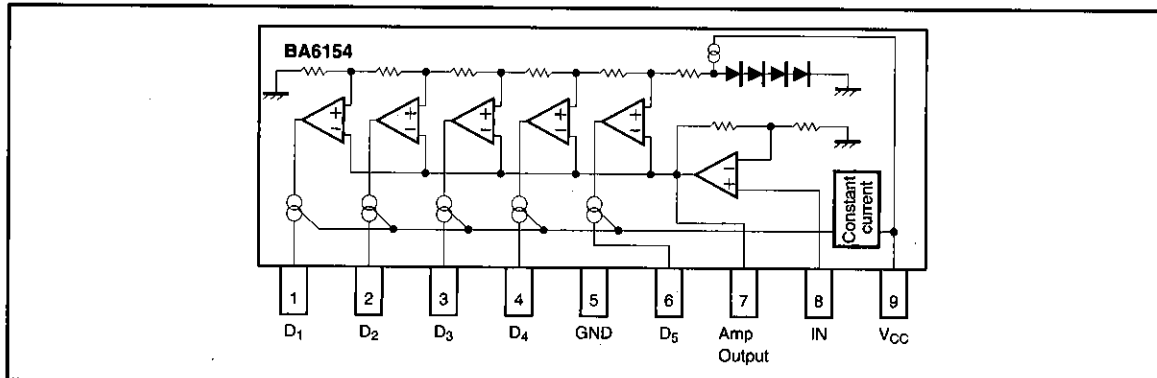
●Applications

VU meters, signal meters, and other display devices.

●Features

- 1) Rectifier amplifier allows either AC or DC input.
- 2) Rectifier amplifier has high gain (26dB), so operation at low input level is possible.
- 3) Constant-current outputs for constant LED current when the supply voltage fluctuates.
- 4) Built-in reference voltage means that power supply voltage fluctuations do not effect the display.
- 5) Wide operating voltage range (3.5V to 16V) for a wide range of applications.
- 6) Low PCB space requirements. Comes in a compact 9-pin SIP package and requires few external components.

●Block diagram



● Absolute maximum ratings (Ta = 25°C)

Parameter	Symbol	Limits	Unit
Supply voltage	V _{CC}	18	V
Power dissipation	P _d	800*	mW
Operating temperature	T _{opr}	-25~60	°C
Storage temperature	T _{stg}	-55~125	°C
Junction temperature	T _j	150	°C

* Reduced by 6.4mW for each increase in Ta of 1°C over 25°C.

● Electrical characteristics (unless otherwise specified Ta = 25°C, V_{CC} = 6.0V, and V_r = 1kHz)

Parameter	Symbol	Min.	Typ.	Max.	Unit	Conditions	Measurement Circuit
Operating voltage range	V _{CC}	3.5	6	16	V	—	Fig.1
Quiescent current	I _Q	—	5	8	mA	V _{IN} =0V	Fig.1
Control level 1	V _{C1}	-13	-10	-7	dB	—	Fig.1
Control level 2	V _{C2}	-6.5	-5	-3.5	dB	—	Fig.1
Control level 3	V _{C3}	—	0	—	dB	Adjustment point	Fig.1
Control level 4	V _{C4}	2.5	3	3.5	dB	—	Fig.1
Control level 5	V _{C5}	5	6	7	dB	—	Fig.1
Sensitivity	V _{IN}	36	45	54	mV _{rms}	V _{C3} on level	Fig.1
LED current	I _{LED}	11	15	18.5	mA	—	Fig.1
Input bias current	I _{INO}	—	0.3	1.0	μA	—	Fig.1

● Measurement circuit

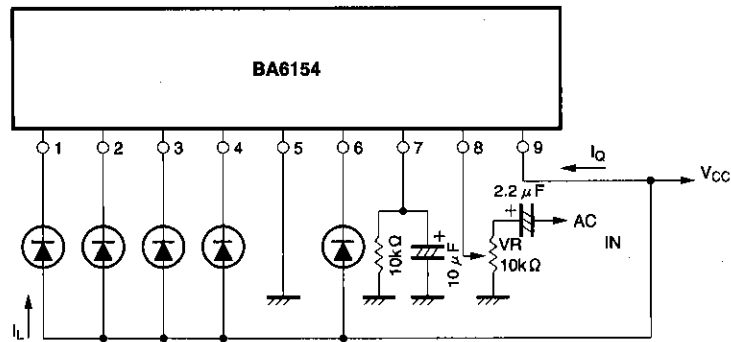


Fig. 1

●Application example

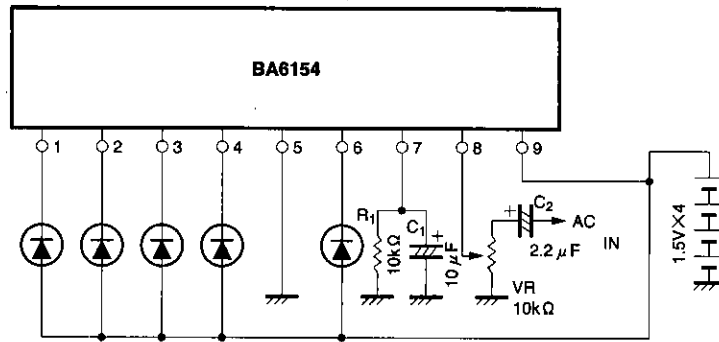


Fig. 2

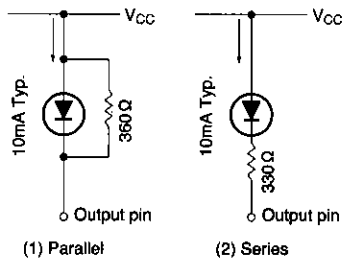


Fig. 3

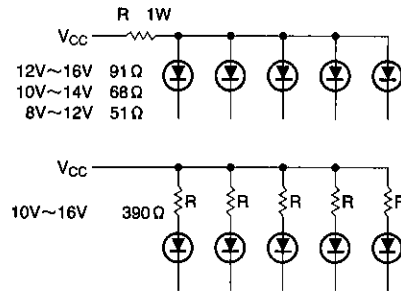


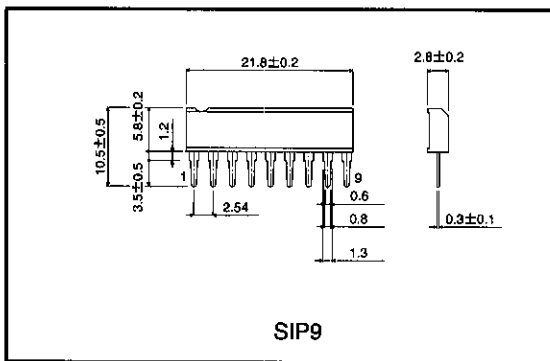
Fig. 4

The response time (attack and release time) can be changed by varying the values of C_1 and C_2 . C_2 is a coupling capacitor, and the potentiometer VR varies the input level. Input a fixed voltage level and adjust the potentiometer so that the LED lights at 0dB. To reduce the LED current, connect a resistor either in parallel (Fig. 3 (1)) or in series (Fig. 3 (2)) with the LED.

If a resistor is connected in series with the LED, the LED current will change if the supply voltage fluctuates.

Note: If the power supply voltage exceeds 9V, insert a resistor in series with the LED current supply line, or connect a heat sink so that the maximum power dissipation P_d Max. is not exceeded (see Fig. 4).

●External dimensions (Unit: mm)



This datasheet has been downloaded from:

www.DatasheetCatalog.com

Datasheets for electronic components.



LittleDiode supplies new, hard to find or obsolete electronic components and semiconductors all over the world.

With over two million different components listed you are sure to find the part you need.

Feel free to visit us today at our online store:

LittleDiode.com

Looking forward to providing you with the best possible service.