

General use electronic governor

BA6220

The BA6220 is a monolithic IC designed for controlling the speed of general-purpose DC motors.

The IC consists of a reference voltage generator, current multiplier, comparator, and start-up circuit. The speed of DC motor is controlled by detecting the counter-electromotive force generated by the motor.

Various DC motors can be driven by changing the external constants. A large power dissipation is allowed by grounding the pin connected with the IC substrate.

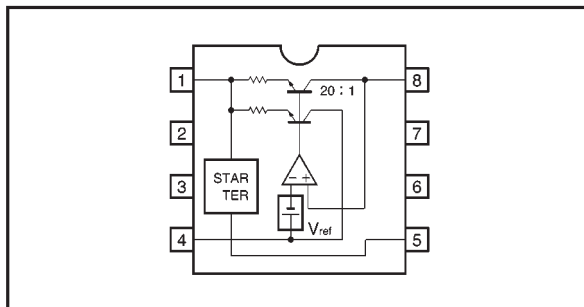
●Applications

Radio cassette tape recorders

●Features

- 1) Wide range of operating voltage. (3.5~16V)
- 2) Large starting torque at low supply voltage.
- 3) Large power dissipation allowable by using the PCB as a heat sink.
- 4) Various DC motors can be driven by changing the external constants.

●Block diagram



●Absolute maximum ratings (Ta = 25°C)

Parameter	Symbol	Limits	Unit	Conditions
Power supply voltage	V _{CC}	18	V	—
Power dissipation	P _d	1.4*	W	PCB : 9cm ² t=1.0

* Reduced by 11.2 mW for each increase in Ta of 1°C over 25°C.

●Recommended operating conditions (Ta = 25°C)

Parameter	Symbol	Min.	Typ.	Max.	Unit	Conditions
Power supply voltage	V _{CC}	3.5	—	16	V	Load: 8g - cm

●Electrical characteristics (unless otherwise noted, Ta = 25°C and Vcc = 12V)

Parameter	Symbol	Min.	Typ.	Max.	Unit	Conditions	Measurement circuit
Bias current	I ₄	0.5	0.8	1.2	mA	R _M =180Ω	Fig.1 (d)
Output saturation voltage	V _{SAT}	—	1.5	2.0	V	V _{CC} =4.2V, R _M =4.4Ω	Fig.1 (c)
Reference voltage	V _{ref}	1.10	1.27	1.40	V	I _M =10mA	Fig.1 (a)
Current constant	K	18	20	22	—	R _{M1} =44Ω, R _{M2} =33Ω	Fig.1 (b)
Reference voltage characteristic	$\frac{\Delta V_{ref}}{V_{ref}} / \Delta V_{CC}$	—	0.06	—	% / V	I _M =100mA, V _{CC} =6.3~16V	Fig.1 (a)
Current constant voltage characteristic	$\frac{\Delta K}{K} / \Delta V_{CC}$	—	0.4	—	% / V	I _M =100mA, V _{CC} =6.3~16V	Fig.1 (b)
Reference voltage current characteristic	$\frac{\Delta V_{ref}}{V_{ref}} / \Delta I_M$	—	-0.02	—	% / mA	I _M =30~200mA	Fig.1 (a)
Current constant current characteristic	$\frac{\Delta K}{K} / \Delta I_M$	—	-0.02	—	% / mA	I _M =30~200mA	Fig.1 (b)
Reference voltage temperature characteristic	$\frac{\Delta V_{ref}}{V_{ref}} / \Delta T_a$	—	0.01	—	% / °C	I _M =100mA, T _a =-25~75°C	Fig.1 (a)
Current ratio temperature characteristic	$\frac{\Delta K}{K} / \Delta T_a$	—	0.01	—	% / °C	I _M =100mA, T _a =-25~75°C	Fig.1 (b)

●Measurement circuits

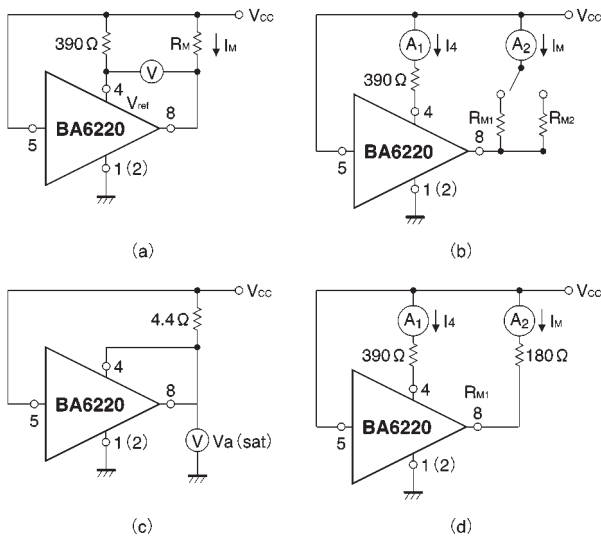


Fig.1

●Application example

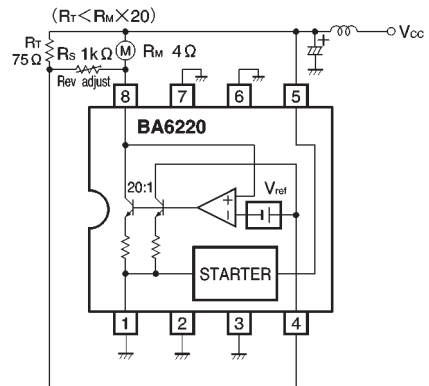
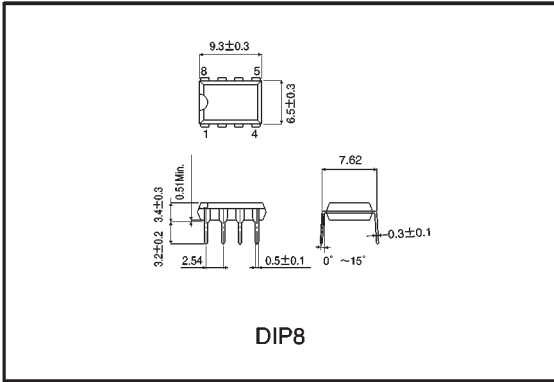


Fig.2

● External dimensions (Units: mm)



This datasheet has been downloaded from:

www.DatasheetCatalog.com

Datasheets for electronic components.



LittleDiode supplies new, hard to find or obsolete electronic components and semiconductors all over the world.

With over two million different components listed you are sure to find the part you need.

Feel free to visit us today at our online store:

LittleDiode.com

Looking forward to providing you with the best possible service.