

Switchless REC / PB amplifier for standard audio signal processing

BA7757BK

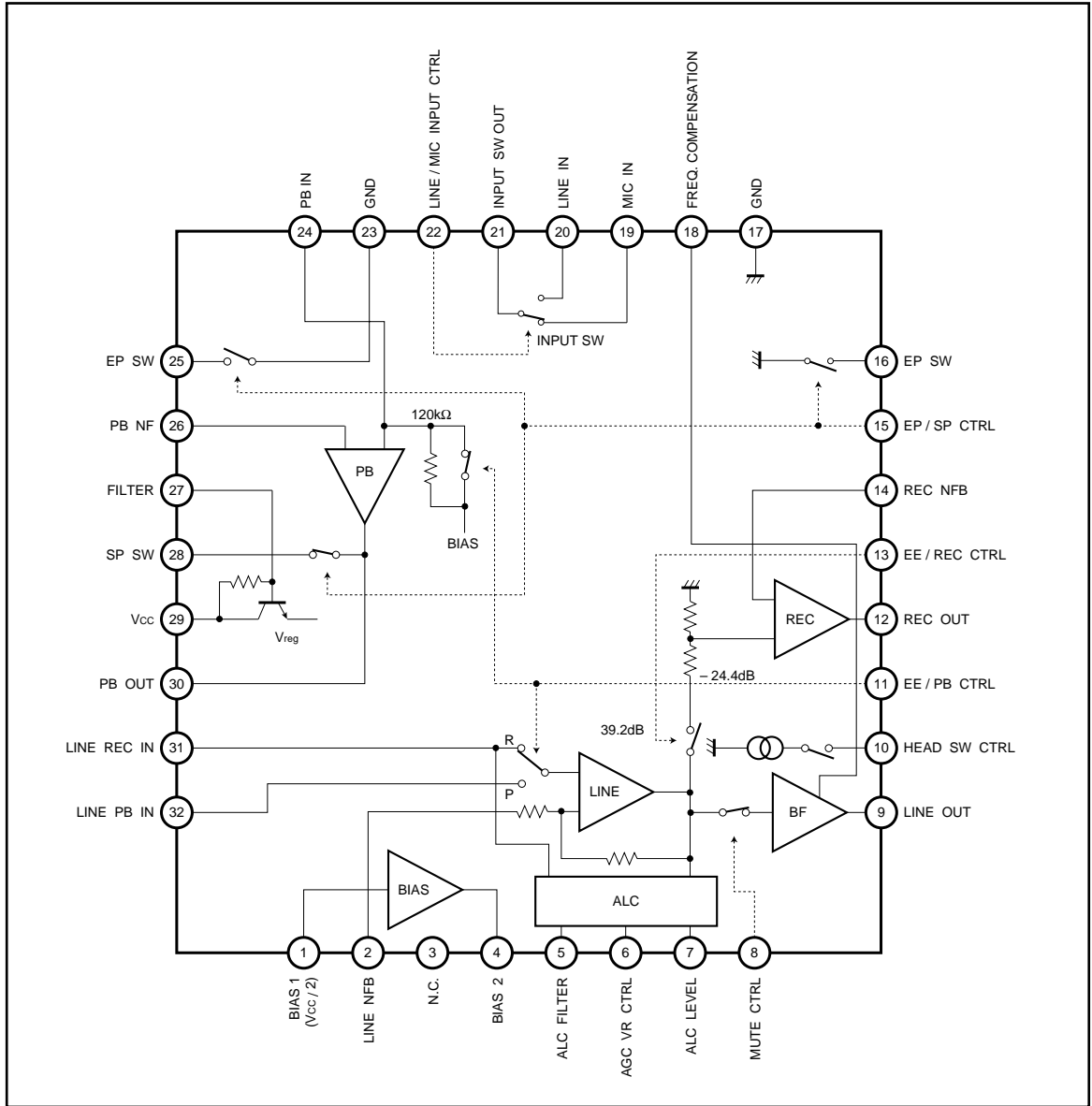
The BA7757BK contains a playback equalizer amplifier, an REC / PB switch, a line amplifier, an ALC circuit with built-in detector, a recording amplifier, an analog switch for input switching, and a logic control circuit for independent switching of REC / EE, PR / EE, line mute and input.

The IC is easy to interface with control systems, and features low noise during mode switching and at power on / off. The line amplifier and recording amplifier are directly connected internally, allowing construction of a high-performance audio signal processing circuit for VCRs using a minimum number of external components.

●Features

- 1) All necessary switches for audio signal processing are built-in.
 - MIC / LINE input selector switch.
 - EP / SP equalizer selector switch.
 - Built-in head switch on the playback side of the head for head switching for REC / PB, and a head-switch driver terminal provided on the recording side.
 - EE / PB and EE / REC selector switches (compatibility with after-recording mode (AFR) is possible).
 - Line muting switch.
- 2) All control functions are independent, so interfacing with the control system is simple.
- 3) Amplifiers required for audio recording and playback are provided on the IC.
- 4) Excellent S / N and distortion specifications through use of high-level ALC VR.
- 5) The ALC level is set using an external resistor, and variation due to temperature is extremely low.
- 6) Built-in ripple filter gives excellent ripple rejection.
- 7) Low noise generation when power is switched on and off, and during control system switching.
- 8) The line output can directly drive earphone.
- 9) Few external parts required.
- 10) Available in a QFP32 package, for high-density mounting.
- 11) Low power consumption.

●Block diagram



● Absolute maximum ratings (Ta = 25°C)

Parameter	Symbol	Limits	Unit
Power supply voltage	V _{CC}	8.0*1	V
Power dissipation	P _d	400*2	mW
Operating temperature	T _{opr}	- 10 ~ + 65	°C
Storage temperature	T _{stg}	- 55 ~ + 125	°C

*1 When IC is stand alone.

*2 Reduced by 4mW for each increase in Ta of 1°C over 25°C.

● Recommended operating conditions

Parameter	Symbol	Min.	Typ.	Max.	Unit
Power supply voltage	V _{CC}	4.0	—	6.0	V

● Electrical characteristics (unless otherwise noted, Ta = 25°C, V_{CC} = 5V, and f = 1kHz)

Parameter	Symbol	Min.	Typ.	Max.	Unit	Conditions
Quiescent current (SP mode)	I _{qSP}	—	7.0	9.8	mA	No signal, EE and SP mode
Quiescent current (EP mode)	I _{qEP}	—	8.0	11.2	mA	No signal, EE and EP mode
〈Line amplifier〉 (LINE IN ~ LINE OUT)						
Distortion	DISTN _{EE}	—	0.06	0.2	%	LINE IN ~ LINE OUT, V _{IN} = - 25dBV*1
Maximum output level	V _{omL}	0.75	1.1	—	V _{rms}	DISTN = 1%*1
ALC level	V _{OA}	- 6.8	- 5	- 3.2	dBV	V _{IN} = - 15dBV
ALC distortion	DISTN _A	—	0.08	0.2	%	V _{IN} = - 15dBV*1
〈Recording amplifier〉 (LINE IN ~ REC OUT)						
Gain	G _{VR}	39.1	40.8	42.5	dB	V _{IN} = - 25dBV, input attenuation conversion
Distortion	DISTN _R	—	0.06	0.2	%	V _{IN} = - 25dBV*1
Maximum output level	V _{omR}	0.85	1.2	—	V _{rms}	DISTN = 1%*1
〈Input switch〉 (MIC IN ~ SW OUT)						
Gain	G _{VSW}	- 0.5	0	—	dB	V _{IN} = - 14dBV
Distortion	DISTN _{SW}	—	0.002	0.1	%	V _{IN} = - 14dBV*1
Input resistance	Z _{INM}	—	75	—	kΩ	
Maximum output level	V _{omsw}	0.85	1.2	—	V _{rms}	DISTN = 1%*1

*1 Measured at BW = 0.4 to 30kHz.

●Application example

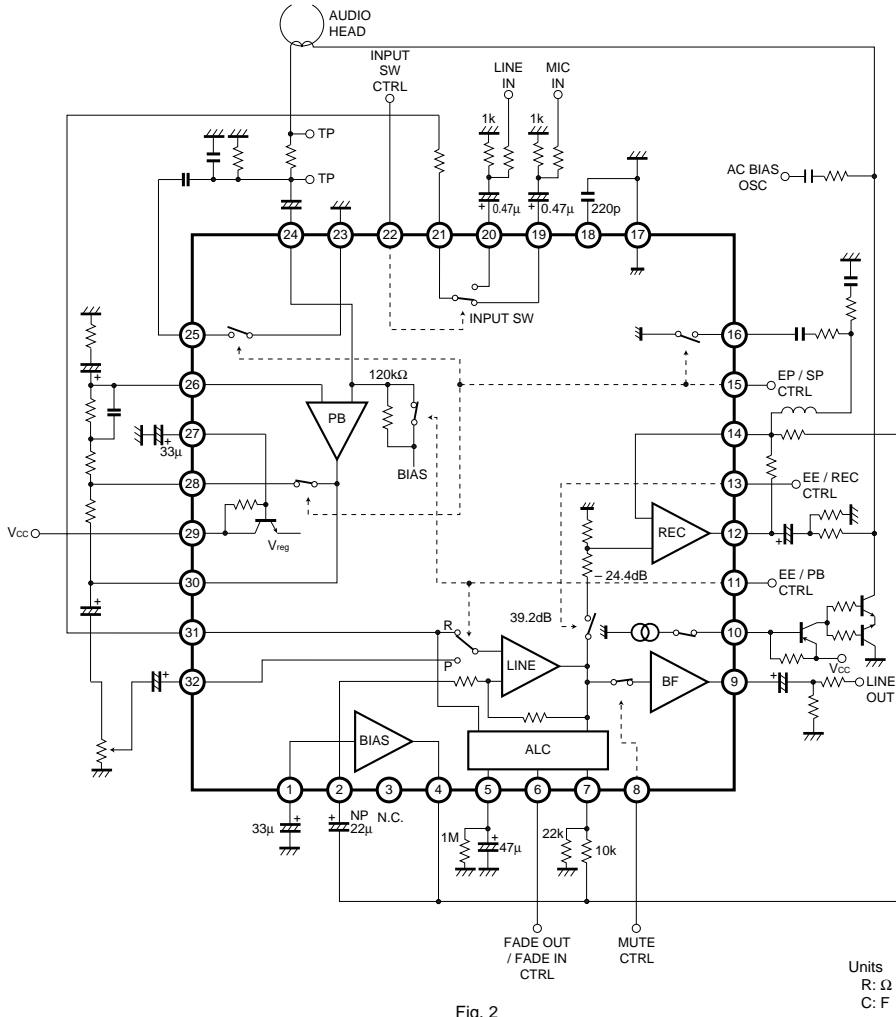
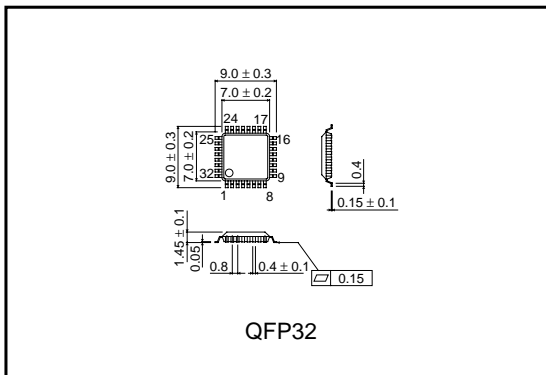


Fig. 2

●External dimensions (Units: mm)





LittleDiode supplies new, hard to find or obsolete electronic components and semiconductors all over the world.

With over two million different components listed you are sure to find the part you need.

Feel free to visit us today at our online store:

LittleDiode.com

Looking forward to providing you with the best possible service.