

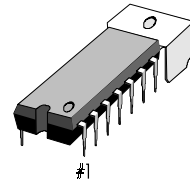
INTRODUCTION

The KA2213 is a monolithic integrated circuit consisting of a preamplifier, ALC circuit, and power amplifier in a 14-pin plastic dual-in-line package with heat sink.

FEATURES

- Suitable for playing and recording functions of mono cassette tape recorders
- Wide operating supply voltage range: $V_{CC} = 4V \sim 12V$
- High gain pre-amplifier and power amplifier
- Output power of power amplifier state
 $P_O = 1W$ at $V_{CC} = 6V$, $R_L = 4\Omega$, THD =10%
- Soft tone quality at the time of output saturation
- Wide ALC range and small variation in output voltage
- Reduced shock noise at the time of power on/off due to built-in prevention circuit
- Variable monitor capability due to recording amplifier consisting of pre-amplifier alone
- Minimum number of external parts required

14-DIPH-300



ORDERING INFORMATION

Device	Package	Operating Temperature
KA2213	14-DIPH-300	-20°C ~ +70°C

BLOCK DIAGRAM

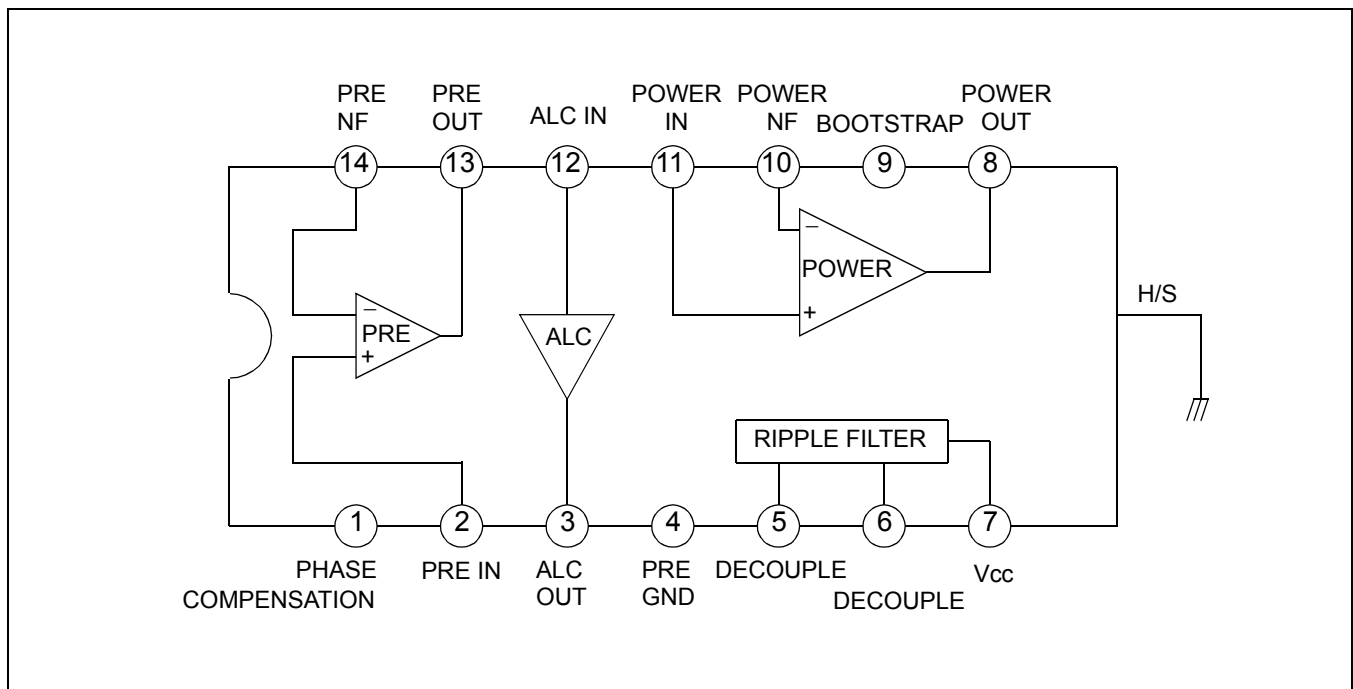


Figure 1.

ABSOLUTE MAXIMUM RATINGS (Ta = 25°C)

Characteristic	Symbol	Value	Unit
Supply Voltage	V _{CC}	13	V
Power Dissipation	P _D	1.2 (2.25*)	W
Operating Temperature	T _{OPR}	- 20 ~ + 70	°C
Storage Temperature	T _{STG}	- 40 ~ +150	°C

* Mounted and soldered on a 50mm x 50mm copper foil of PCB

ELECTRICAL CHARACTERISTICS

(Ta = 25°C, Vcc = 6V, f = 1kHz, unless otherwise specified)

Characteristic	Symbol	Test Conditions	Min.	Typ.	Max.	Unit
Quiescent Circuit Current	I _{CCQ}	V _{CC} = 6V, V _I = 0	–	18	30	mA
		V _{CC} = 9V, V _I = 0	–	23	40	mA
Pre-Amplifier						
Open Loop Voltage Gain	G _{VO}	Open loop	–	85	–	dB
Closed Loop Voltage Gain	G _{VC}	Closed loop, Play	–	40	–	dB
Output Voltage	V _O	THD = 1%, Play	0.9	1.2	–	V
Input Resistance	R _I	–	21	30	–	kΩ
Equivalent Input Noise Voltage	V _{NI}	Play	–	1.0	2.0	μV
ALC Input Level	V _{I (ALC)}	THD = 1%, Rec	– 20	– 12	–	dBm
Power Amplifier						
Closed Loop Voltage Gain	G _{VC}	R _F = 51Ω	43	45	47	dB
Output Power	P _O	V _{CC} = 6V, R _L = 4Ω, THD = 10%	0.7	1.0	–	W
		V _{CC} = 7.5V, R _L = 4Ω, THD = 10%	1.0	1.5	–	W
		V _{CC} = 9V, R _L = 4Ω, THD = 10%	1.7	2.2	–	W
Total Harmonic Distortion	THD	P _O = 250mW	–	0.3	1.5	%
Input Resistance	R _I	–	–	30	–	kΩ
Output Noise Voltage	V _{NO}	R _G = 10kΩ	–	0.6	1.8	mV
Ripple Rejection Ratio	RR	R _G = 0Ω, V _R = 150mV, f = 100Hz	40	45	–	dB

TEST CIRCUIT

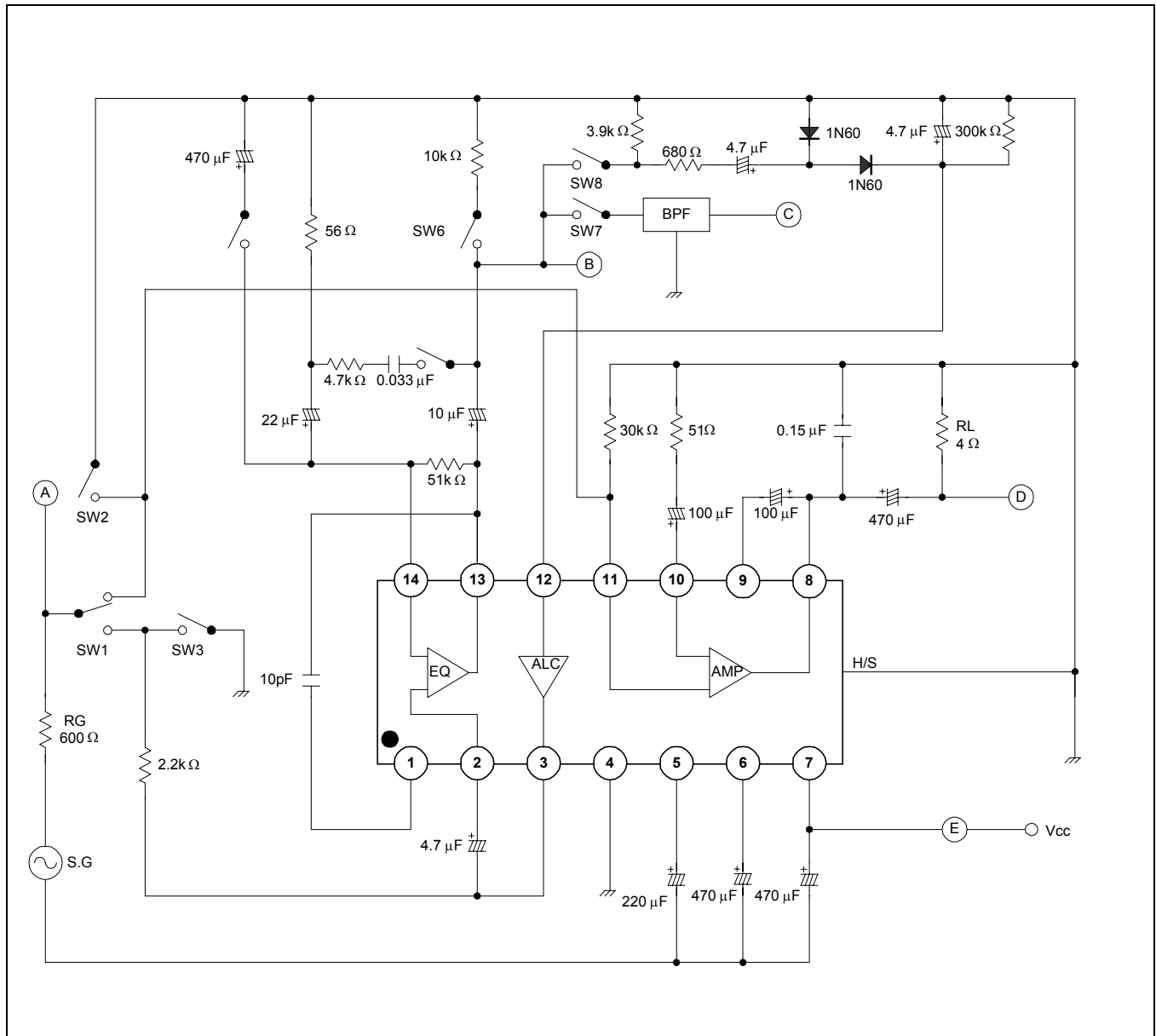


Figure 2.

TEST METHOD

Characteristic	SW1	SW2	SW3	SW4	SW5	SW6	SW7	SW8	Test Point	Test Method	
Power Amplifier	I_{CCQ}		on	on	off	on	on	off	off	E	Test circuit current
	G_{VC}	2	off	off	off	on	on	off	off	A.D	$G_{VC} = 20 \log V_O/V_I$ (dB)
	P_O	2	off	off	off	on	on	off	off	D	Test output voltage at THD = 10%
	THD	2	off	off	off	on	on	off	off	D	Test THD at output voltage $V_O = 1V$
	V_{NO}		on	off	off	on	on	off	off	D	Test output noise voltage
	RR		on	off	off	on	on	off	off	D	RR = $20 \log V_{RO}/150$ (dB) Test output ripple voltage (VRO)
Pre-Amplifier	G_{VO}	1	off	off	on	off	on	off	off	A.B	$G_{VO} = 20 \log V_O/V_I$ (dB)
	V_O	1	off	off	off	on	on	off	off	B	Test output voltage at THD = 1%
	V_{NI}		off	on	off	on	on	on	off	C	Convert output noise voltage at $R_G = 2.2k\Omega$, $V_{NI} = V_{NO}/G_V$
	$V_{I(ALC)}$	1	off	off	off	off	off	off	on	A.B	Test input voltage at THD = 1%

TYPICAL APPLICATION CIRCUITS

Mono Cassette Tape Recorder

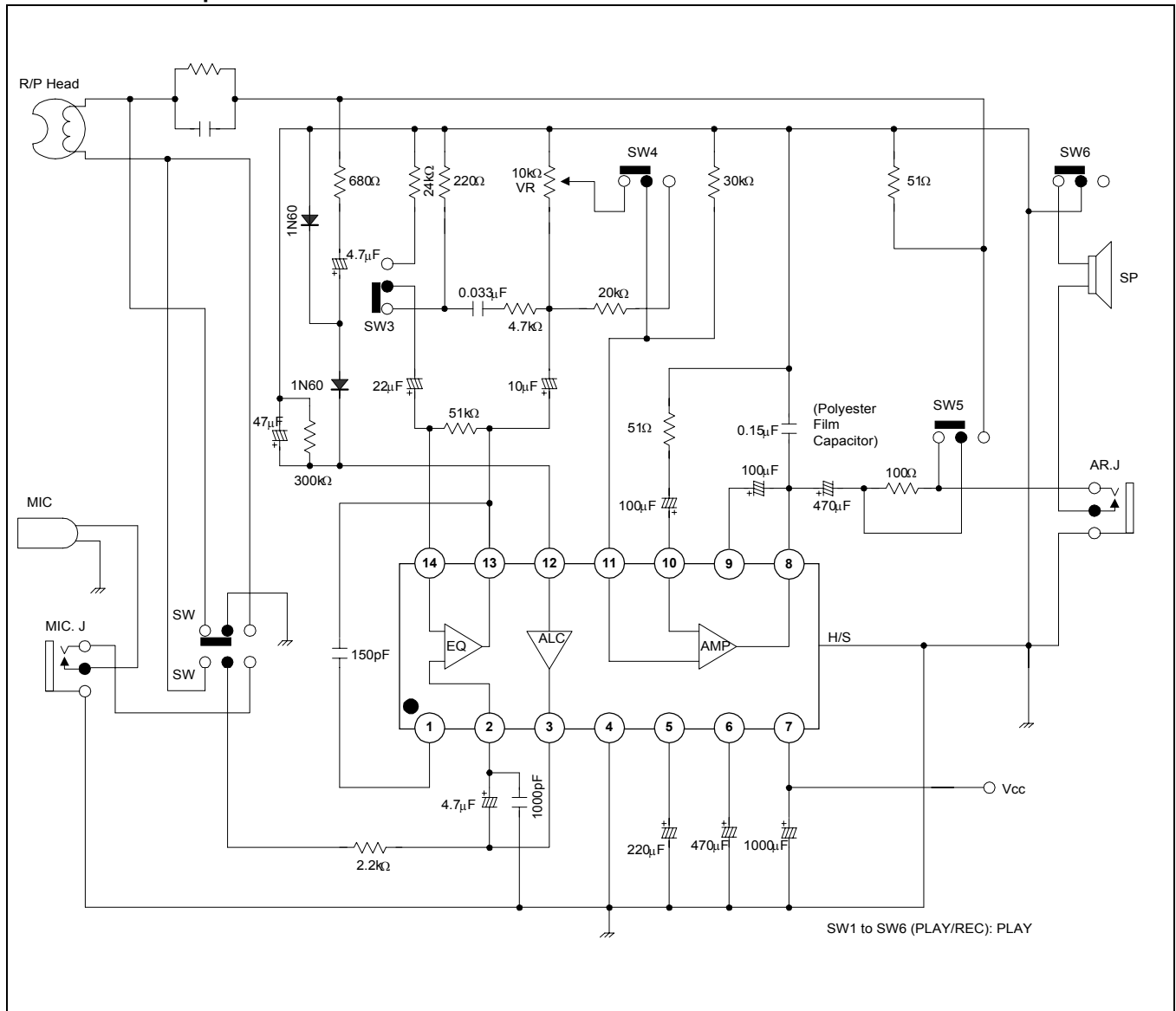


Figure 3.

Radio Cassette Tape Recorder

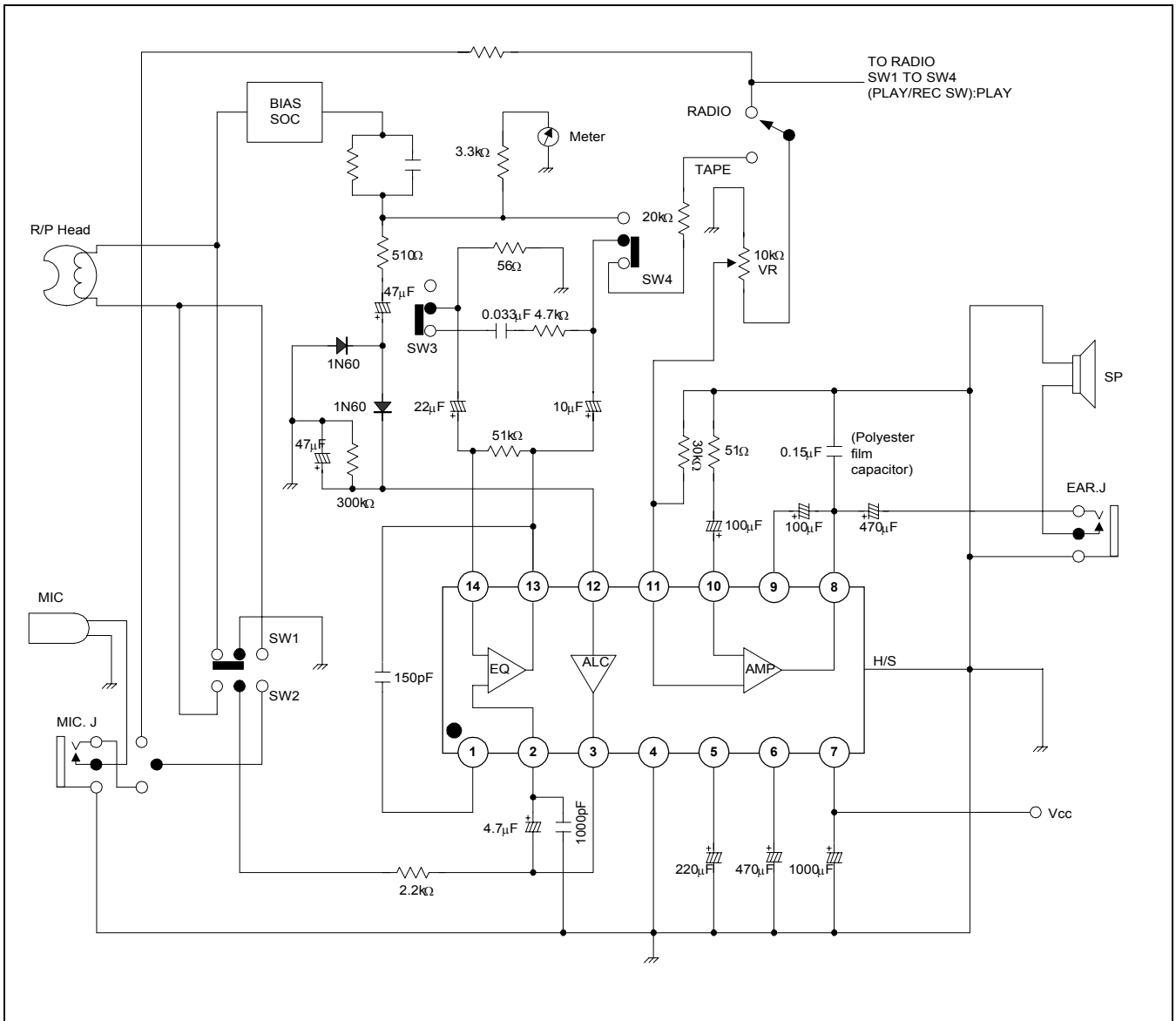


Figure 4.

NOTES



LittleDiode supplies new, hard to find or obsolete electronic components and semiconductors all over the world.

With over two million different components listed you are sure to find the part you need.

Feel free to visit us today at our online store:

LittleDiode.com

Looking forward to providing you with the best possible service.