

FM IF/AM TUNER SYSTEM

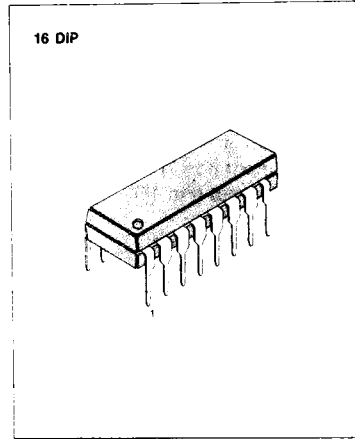
The KA2247 is a monolithic integrated circuit developed for the radio cassette tape recorder.

FUNCTIONS

- AM SECTION: RF amplifier, Mixer, OSC (with ALC), IF amplifier, Detector, AGC, Tuning indicator.
- FM SECTION: IF amplifier, Quadrature detector, AF preamplifier, Tuning indicator.

FEATURES

- Minimum number of external parts required.
- Very good S/N: FM (81dB), AM (53dB).
- AM oscillator circuit with ALC: Oscillation output voltage of pin 16. MW 130mV SW 70mV – 90mV (7MHz) – (24MHz)
- Excellent AM whistle performance: Whistle 1% at $V_t = 100\text{dB/m}$.
- Built-in tuning indicator.
- Built-in AM/FM function switch.
- Operating supply voltage range: $V_{cc} = 3\text{V} - 8\text{V}$.



ORDERING INFORMATION

Device	Package	Operating Temperature
KA2247	16 DIP	-20°C ~ +70°C

BLOCK DIAGRAM

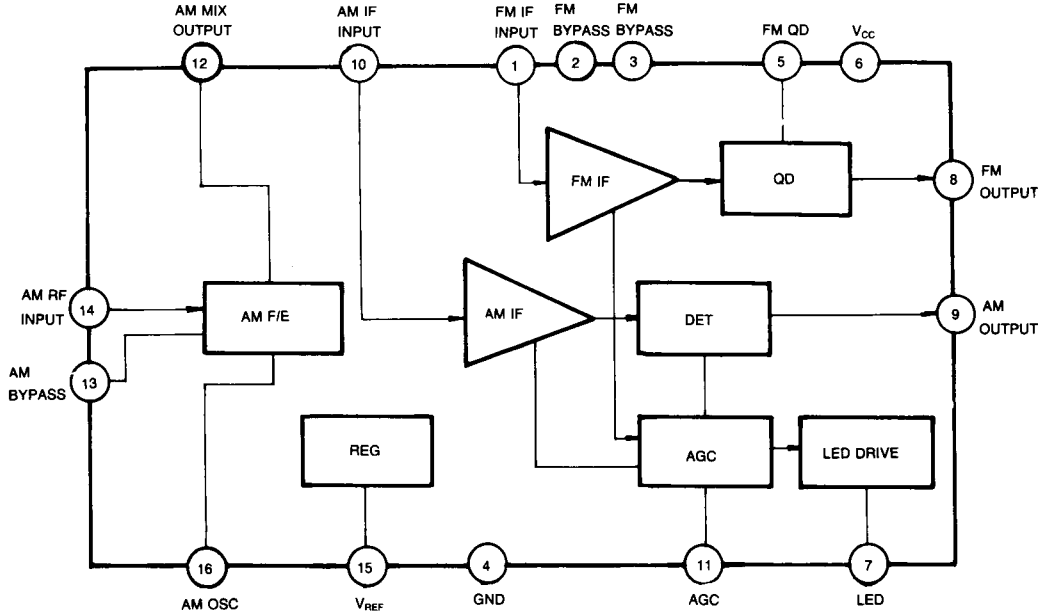


Fig. 1

ABSOLUTE MAXIMUM RATINGS ($T_a = 25^\circ\text{C}$)

Characteristic	Symbol	Value	Unit
Supply Voltage	V_{CC}	9	V
Circuit Current	I_{CC}	50	mA
Input Current (Pin 7)	I_7	20	mA
Output Current (Pin 15)	I_{15}	0.1	mA
Power Dissipation	P_D	450	mW
Operating Temperature	T_{OPR}	-20 ~ +70	$^\circ\text{C}$
Storage Temperature	T_{STG}	-40 ~ +125	$^\circ\text{C}$

ELECTRICAL CHARACTERISTICS

($T_a = 25^\circ\text{C}$, $V_{CC} = 4.5\text{V}$)FM Section ($f = 10.7\text{MHz}$, $\Delta f = \pm 75\text{KHz}$, $f_m = 400\text{Hz}$)

Characteristic	Symbol	Test Conditions	Min	Typ	Max	Unit
Quiescent Circuit Current	I_{CCQ}	$V_i = 0$		8.5	12.0	mA
-3dB Limiting Sensitivity	$V_{i(LIM)}$	$V_o (V_i = 80\text{dB}\mu) - 3\text{dB down}$		35	42	$\text{dB}\mu$
Detector Output Voltage	$V_{O(DET)}$	$V_i = 80\text{dB}\mu$	183	260	367	mV
Total Harmonic Distortion	THD 1	$V_i = 80\text{dB}\mu$		0.55	1.2	%
	THD 2	$V_i = 80\text{dB}\mu$, $\Delta f = \pm 22.5\text{KHz}$		0.05		
AM Rejection Ratio	AMR	$V_i = 80\text{dB}\mu$, AM: $f_m = 1\text{KHz}$, 30% Mod		60		dB
Signal to Noise Ratio	S/N 1	$V_i = 80\text{dB}\mu$	77	81		dB
	S/N 2	$V_i = 80\text{dB}\mu$, $\Delta f = \pm 22.5\text{KHz}$		71		
Tuning Indication Voltage	V_L	$I_{LAMP} = 1\text{mA}$		39	49	$\text{dB}\mu$

AM Section ($f = 1\text{MHz}$, $f_m = 400\text{Hz}$, 30% Mod)

Characteristic	Symbol	Test Conditions	Min	Typ	Max	Unit
Quiescent Circuit Current	I_{CCQ}	$V_i = 0$		7.5	10.5	mA
Detector Output Voltage	$V_{O(DET)1}$	$V_i = 23\text{dB}\mu$	17.3	31	55	mV
Detector Output Voltage	$V_{O(DET)2}$	$V_i = 60\text{dB}\mu$	87	122	174	mV
Total Harmonic Distortion	THD 1	$V_i = 60\text{dB}\mu$		0.45	1.3	%
	THD 2	$V_i = 100\text{dB}\mu$		1.5	3.0	
Signal to Noise Ratio	S/N 1	$V_i = 23\text{dB}\mu$	18.0	21.5		dB
	S/N 2	$V_i = 60\text{dB}\mu$	48	53		
Tuning Indication Voltage	V_L	$I_{LAMP} = 1\text{mA}$	22	30	38	$\text{dB}\mu$
Oscillator Voltage	V_{OSC}	$f = 24\text{MHz}$	60	86	120	mV

TEST CIRCUIT

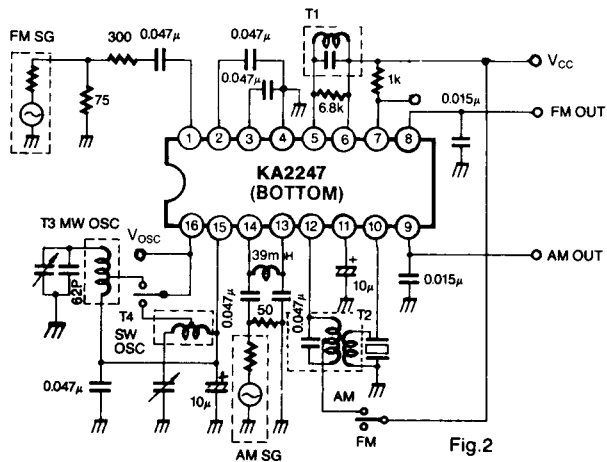
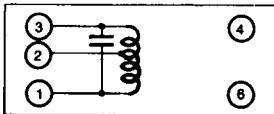


Fig.2

COIL SPECIFICATIONS

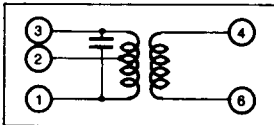
T1 FM IF (DET)



C_o (PF)	f (MHz)	Q_o	TURNS
1-3		1-3	1-3
56	10.7	95	12

Seoul Jupa
0.12mmφ UEW

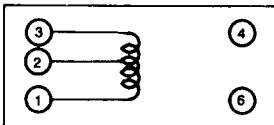
T2 AM IFT (MIX OUT)



C_o (PF)	f (KHz)	Q_o	TURNS		
1-3		1-3	1-2	2-3	4-6
180	455	110	90	62	8

Seoul Jupa
0.07mmφ UEW

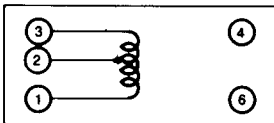
T3 (MW OSC)



f (KHz)	L (μH)	Q_o	TURNS	
	1-3	1-3	1-2	2-3
796	140	140	32	32

Seoul Jupa
0.07mmφ UEW

T4 (SW OSC)



L (μH)	Q_o	TURNS	
1-3	1-3	1-2	2-3
12	80	12	12

Seoul Jupa
0.1mmφ UEW



LittleDiode supplies new, hard to find or obsolete electronic components and semiconductors all over the world.

With over two million different components listed you are sure to find the part you need.

Feel free to visit us today at our online store:

LittleDiode.com

Looking forward to providing you with the best possible service.