

TOY RADIO CONTROL ACTUATOR

The KA2303 is a monolithic integrated circuit having 3 functions (Forward, stop, Backward) designed for radio controlled toy car and other equipment.

FEATURES

- Includes Amplifier, Detector, Comparator, Latch, Voltage Regulator, Actuator.
- Wide power supply voltage range (2.5V ~ 10V)
- Very low quiescent circuit current (Stop: $I_{CC} = 5\text{mA}$).
- Capable of driving small DC motors in both directions.
- Minimum number of external parts required.

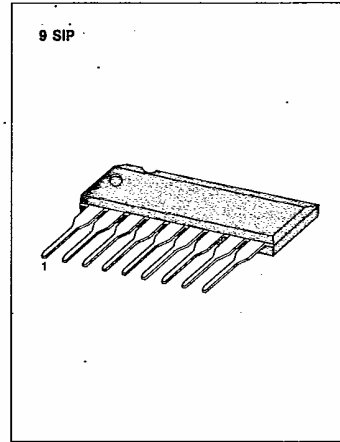
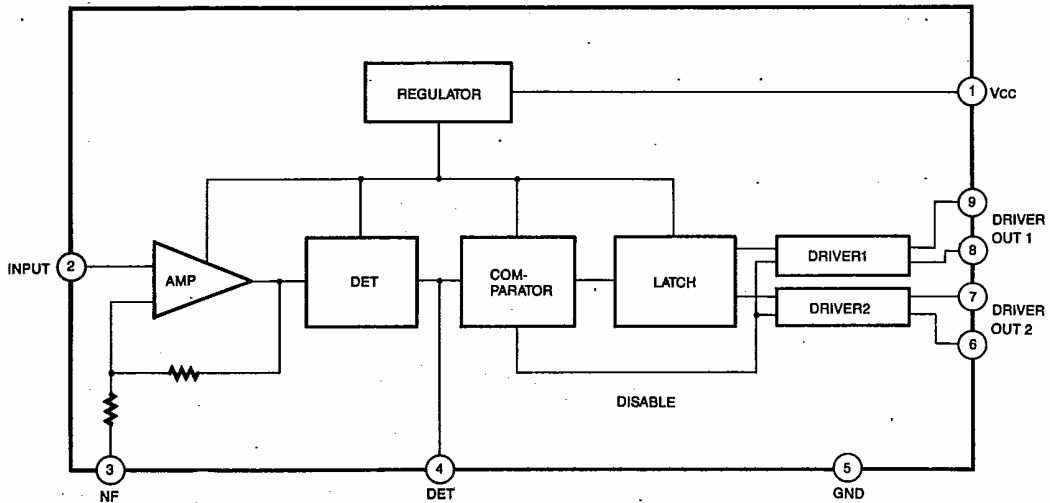
**BLOCK DIAGRAM**

Fig. 1

ABSOLUTE MAXIMUM RATINGS ($T_a = 25^\circ\text{C}$)

Characteristic	Symbol	Value	Unit
Supply Voltage	V_{CC}	11	V
Output Current (Continuous)	I_o (cont)	0.7	A
Output Current (Surge)	I_o (surge)	1.2	A
Power Dissipation	P_d	500	mW
Operating Temperature	T_{opr}	-20 ~ +70	$^\circ\text{C}$
Storage Temperature	T_{stg}	-40 ~ +125	$^\circ\text{C}$

ELECTRICAL CHARACTERISTICS

($T_a = 25^\circ\text{C}$, $V_{CC} = 5\text{V}$)

Characteristic	Symbol	Test Condition	Min	Typ	Max	Unit
Circuit Current	I_{CC1}	Without Load		40	50	mA
	I_{CC2}	Stop		5		mA
Input Impedance	R_i			10		$\text{K}\Omega$
Output Saturation Voltage	V_{SAT}	$I_o = 400\text{mA}$		0.25	0.45	V
Output Sink Current	I_{SINK}			10		mA
Sensitivity	V_i (sen)	$f = 1\text{KHz}$		3.5		mV
Comparator Hysteresis	HY			5		dB

TYPICAL APPLICATION CIRCUIT

1. Low Voltage Application Circuit

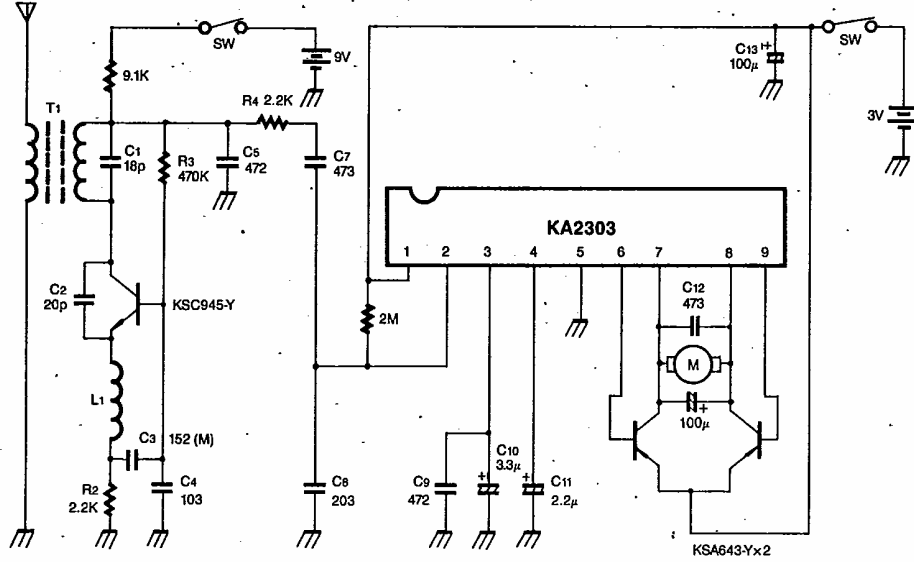


Fig. 2

2. High Voltage Application Circuit

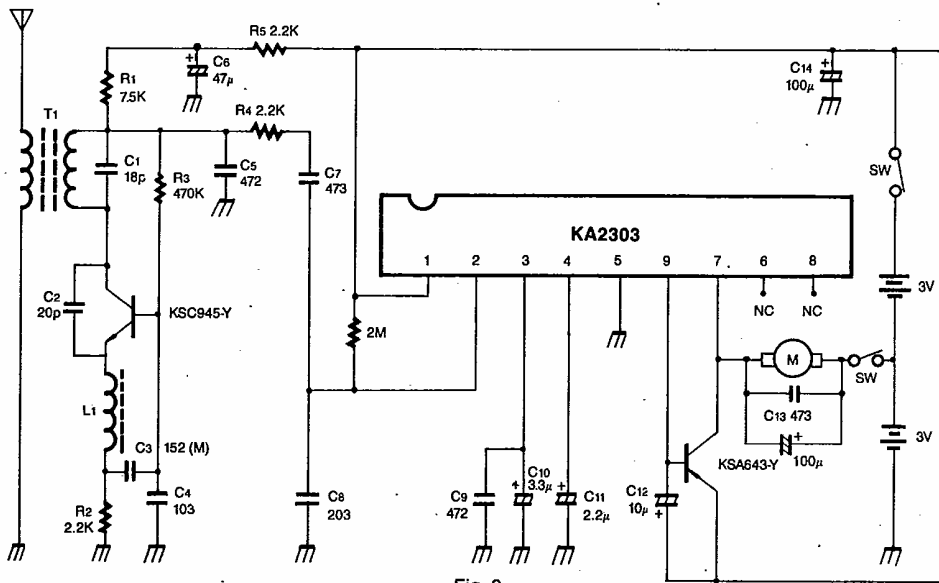


Fig. 3

This datasheet has been downloaded from:

www.DatasheetCatalog.com

Datasheets for electronic components.



LittleDiode supplies new, hard to find or obsolete electronic components and semiconductors all over the world.

With over two million different components listed you are sure to find the part you need.

Feel free to visit us today at our online store:

LittleDiode.com

Looking forward to providing you with the best possible service.