

# KA2915

# 1 CHIP FOR B/W TVs

## TV VIF & SIF & DEFLECTION SYSTEM (IC FOR TV LARGE INTEGRATION)

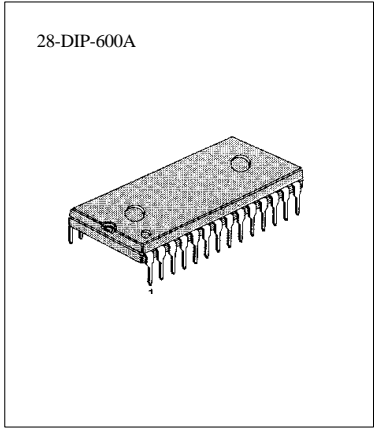
The KA2915 is a monolithic integrated circuit containing all stages for the VIF, SIF and deflection functions of television receivers.

### FUNCTIONS

- IF Amp.
- Video Amp.
- IF AGC
- Tuner AFT
- Sound DET. (FM DET.)
- Vertical trig.
- Vertical drive
- Horizontal drive
- Video DET. (AM DET.)
- Noise canceller
- Forward RF AGC
- SIF Amp.
- Sync Separation
- Vertical oscillation
- Horizontal oscillation
- Horizontal AFC

### FEATURES

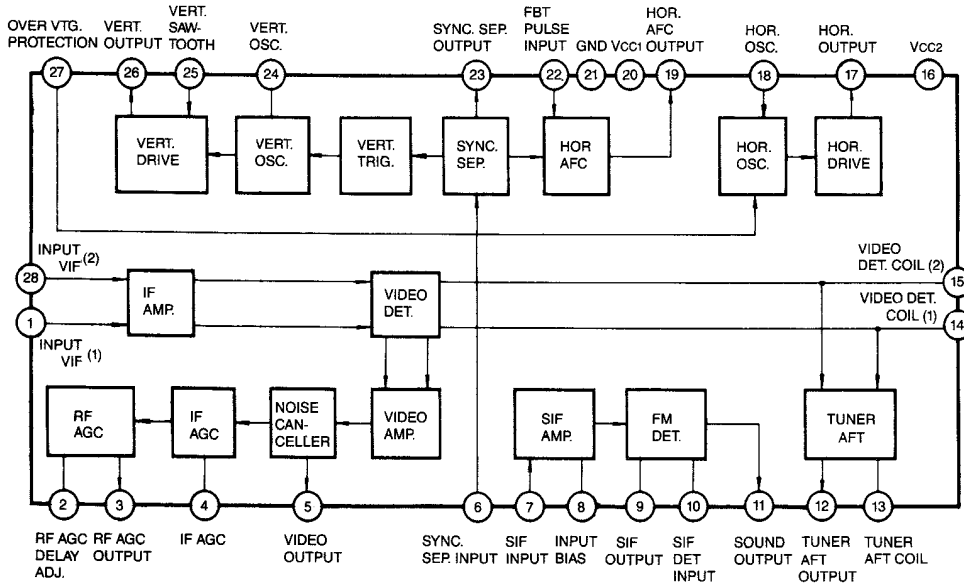
- High integrated technology makes it possible the integration of video IF circuit tuner AFC circuit sound IF circuit and deflection-jungle circuit on one single chip.
- Supply voltage range: 8-12V (Typ. 10V).



### ORDERING INFORMATION

Device	Package	Operating Temperature
KA2915	28-DIP-600A	-20j É+70j É

### BLOCK DIAGRAM



# KA2915

# 1 CHIP FOR B/W TVs

## ABSOLUTE MAXIMUM RATINGS (T<sub>A</sub>=25; ĩ)

Characteristic	Symbol	Value		Unit
Supply Voltage	V <sub>CC</sub> (V <sub>20-21</sub> )	12		V
Supply Current	I <sub>20</sub>	85		mA
	I <sub>16</sub>	15		mA
Circuit Voltage	V <sub>2,3,4,24-21</sub>	V <sub>20-21</sub>	0	V
	V <sub>8-21</sub>	5.5	0	V
	V <sub>13-21</sub>	4.2	0	V
	V <sub>17-21</sub>	V <sub>16-21</sub>	0	V
Circuit Current	I <sub>5,6,11,23,26</sub>	+0.3	-10	mA(peak)
	I <sub>19</sub>	+0.6	-0.6	mA(peak)
	I <sub>25</sub>	+10	0	mA(peak)
	I <sub>17</sub>	+10	-4	mA(peak)
Power Dissipation (T <sub>a</sub> =70; ĩ)	P <sub>D</sub>	1100		mW
Operating Temperature	T <sub>OPR</sub>	-20~ +70		ĩ ĩ
Storage Temperature	T <sub>STG</sub>	-55~ +150		ĩ ĩ

## ELECTRICAL CHARACTERISTICS (V<sub>CC1</sub>=10V, V<sub>CC</sub>=9.5V, T<sub>A</sub>=25; ĩ)

### Video Section

Characteristic	Symbol	Test Condition	Min	Typ	Max	Unit
Video Det. Output	V <sub>O</sub>	m=87.5%	2.0	2.3	2.6	V <sub>P-P</sub>
Input Sensitivity	S <sub>VI</sub>	V <sub>O</sub> =-3dB	-	50	55	dBĩ ĩ
Maximum Input	V <sub>MAX</sub>	V <sub>O</sub> >+0dB	105	110	-	dB
SN Rating	S/N	V <sub>I</sub> =80dBĩ ĩ	51	56	-	dB
Differential Gain	DG	m=87.5%	-	4	8	%
Differential Phase	DP	m=87.5%	-	3	6	deg
Video Freq. Characteristic	G <sub>V(F)</sub>	V <sub>O</sub> =-3dB	4.5	6.0	8.0	MHz
Sync. Peak Voltage	V <sub>P</sub>		1.9	2.3	2.7	V
Noise Inverter Output Level	V <sub>NT</sub>		1.0	1.4	1.8	V
Noise Inverter Capture Level	V <sub>NI</sub>		3.0	4.0	5.0	V
Sound IF Output	V <sub>SIF</sub>	P/S=20dB	100	104	107	dBĩ ĩ
Input Resistor	R <sub>INI</sub>	f=45.75MHz	0.8	1.0	1.2	Kohm
Input Capaciter	C <sub>ZNI</sub>	f=45.75MHz	3.0	3.4	3.8	pF
Output Resistor	R <sub>O5</sub>	f=500kHz	30	50	150	ohm
RF AGC Gain	G <sub>RF AGC</sub>	f=10kHz, V <sub>4</sub> =5mV	36	42	48	dB
RF AGC Max. Voltage	V <sub>3(MAX)</sub>		8.2	8.8	9.4	V
RF AGC Min. Voltage	V <sub>3(MIN)</sub>		3.6	4.2	4.8	V
AFT Center Voltage	V <sub>2</sub>		4.0	5.4	6.0	V

# KA2915

# 1 CHIP FOR B/W TVs

## Video Section (Continued)

Charateristic	Symbol	Test Condition	Min	Typ	Max	Unit
AFT SW Operating Voltage	VAFTSW	$R_s=10\ \Omega$	0.5	2.6	3.0	V
AFT Maximum Output Voltage	V12(Max.)		8.5	9.6	10.0	V
AFT Minimum Output Voltage	V2(Min.)		0	0.7	1.2	V
Selection Sensitivity	$\Delta i$	$R_L=68\ \Omega$	30	50	90	mV/kHz

## Sound Section

Characteristic	Symbol	Test Condition	Min	Typ	Max	Unit
Sound Det. Output	$V_o$	$f_o = 4.5\text{MHz}, f_M=400\text{Hz}$ $i_a=i_j \ 25\text{kHz}, V_i=100\text{mVrms}$	200	300	440	mVrms
Input Limit Voltage	$V_{i(LIM)}$	$f = 4.5\text{MHz}, f_M=400\text{Hz}$ $i_a=i_j \ 25\text{kHz}$	-	280	450	$\Delta V_{rms}$
Total Harmonic Distortion	THD	$f_o = 4.5\text{MHz}, f_M=400\text{Hz}$		0.6	1.0	%
AM Rejection Ratio	AMR	$i_a=i_j \ 25\text{kHz}, V_i=100\text{mVrms}$	43	55	-	dB
Input Impedance	$R_{17}$	$f = 4.5\text{MHz}$	6	20	100	$\Omega$
	$C_{17}$		1.3	4.3	7.3	pF
Detector Input Impedance	$R_{D9}$	$f = 4.5\text{MHz}$	2.0	3.0	4.0	$\Omega$
	$C_{D9}$		2.1	5.1	8.1	pF
	$R_{D10}$		50	200	-	$\Omega$
	$C_{D10}$		2.9	3.4	3.9	pF

## Deflection Section

Characteristic	Symbol	Test Condition	Min	Typ	Max	Unit
Sync Sep. Hori. Pulse Width (1)	$t_{SYNC1}$	Video Input 2.5V <sub>P-P</sub> , APL=50%, $V_{CC1}=10\text{V}$	4.8	5.1	5.4	$\mu\text{s}$
Sync Sep. Hori. Pulse Width (2)	$t_{SYNC2}$	Video Input 1.0V <sub>P-P</sub> , APL=50% $V_{CC1}=10\text{V}$	4.9	5.2	5.5	$\mu\text{s}$
Hori. AFC Hori. Pulse Width (1)	$t_{SYNC3}$	Video Input 2.5V <sub>P-P</sub> , APL=50% $V_{CC1}=10\text{V}$	4.8	5.1	5.4	$\mu\text{s}$
Hori. AFC Hori. Pulse Width (2)	$t_{SYNC4}$	Video Input 1.0V <sub>P-P</sub> , APL=50% $V_{CC1}=10\text{V}$	4.9	5.2	5.5	$\mu\text{s}$
Vert Osc, Start Supply Voltage	$V_{FVO,S}$	$f_{VO}=50\sim 70\text{Hz}$ Output=0.7V <sub>P-P</sub>	-	-	6	V
Vert. Free Running Frequency	$f_{VO}$	$R_{OSC(V)}=31.5\ \Omega$	57	60	63	Hz

**KA2915**

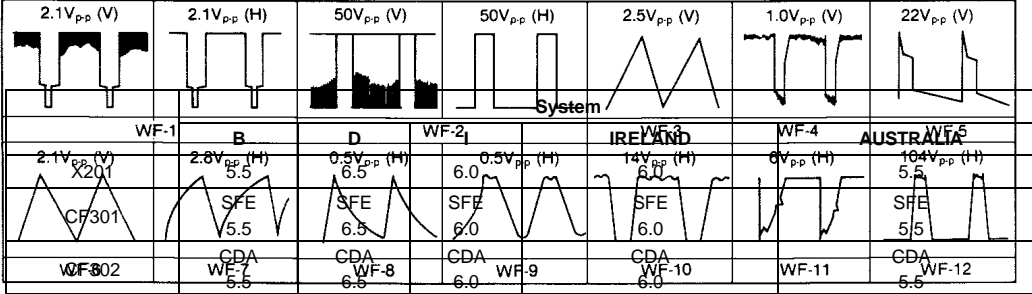
**1 CHIP FOR B/W TVs**

**Deflection Section (Continued)**

Characteristic	Symbol	Test Condition	Min	Typ	Max	Unit
Vert. OSC. Pulse Width	$t_{VO}$	$R_{OSC(V)} = 31.5K\Omega$	470	650	830	$\mu s$
Vert. full in Range	$f_{V(PULL)}$	$V_{CC1} = 12V, 8V$ $f_{VO}/V_{CC} = f_{VO(12V)} - f_{VO(8V)}$	0	1.0	1.3	Hz
Vert. Full in Range	$f_{PV}$	Composite Signal Input $2V_{P-P}$	-	44	48	Hz
Hori. OSC. Start Supply Voltage	$V_{FHO.S}$	$f_{HO} = 10\sim 20kHz$ Output $= 1V_{P-P}$ Pin 16 Voltage	-	-	5	V
Hori. OSC. Freq.	$f_{HO}$	$R_{OSC(H)} = 21K\Omega$	15.0	15.75	16.25	kHz
Hori. OSC. Pulse Width	$t_{HO}$	$R_{OSC(H)} = 21K\Omega$	23	26	29	$\mu s$
Hori. OSC. Freq. Voltage Dependent	$f_{HO}/V_{CC}$	$V_{CC2} = 10V, 8V$ $f_{HO}/V_{CC} = f_{HO(10V)} - f_{HO(8V)}$	0	50	100	Hz
Hori. OSC. Control Sensitivity	$\Delta a$	$\Delta I_i = 100\mu A$ Input Variable OSC. Freq. Variable	73	81	89	Hz/ $\mu A$
Phase Det. Sensitivity	$\Delta P$	TV Input $2V_{P-P}$ , $R_{(U)} = 31.4K\Omega \pm V19 \times 10$	13.5	16.5	19.5	$\mu s/\mu A$
X-Ray Protector Operating Voltage	$V_{27-21}$		0.81	0.87	0.93	V
X-Ray Protector Input Resistor	$R_{27}$		16	19	22.5	$\Omega$



APPLICATION CIRCUIT (12" OR 14" B/W TV) (Continued)



Change the  
Location

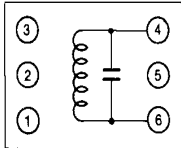
specifications on

the following table for your system

- NOTES: 1. All resistance values in ohm K=1,000 M=1,000,000.
- 2. All capacitors not noted in the schematic diagram are in pF the 3rd numeral of the capacitance value indicated 10<sup>3</sup> multiplier (EX: 638 68,000pF)
- 3. Voltage readings taken with V.T.V.M. from the point indicated to chassis ground tuner on an unused channel at max other controls at normal line voltage 120 volts.
- 4. All waveforms measured with a strong signal input contrast set give a normal picture.
- 5. Voltage reading may vary 10%.
- 6. With this fundamental circuit diagram, some production changes may be made without revision of the overall diagram.

COIL SPECIFICATIONS

T104 Video Detector Coil



Bottom View

C <sub>0</sub> (pF)	f (MHz)	Q <sub>0</sub>	Turns
4-6		4-6	4-6
51	45.75	100	5 7/8t

Wire: 0.3mm  $\nabla$   $\bar{o}$



LittleDiode supplies new, hard to find or obsolete electronic components and semiconductors all over the world.

With over two million different components listed you are sure to find the part you need.

Feel free to visit us today at our online store:

[LittleDiode.com](http://LittleDiode.com)

Looking forward to providing you with the best possible service.