

DATA SHEET

BLW32 UHF linear power transistor

Product specification

August 1986

UHF linear power transistor

BLW32

DESCRIPTION

N-P-N silicon planar epitaxial transistor primarily intended for use in linear **u.h.f. amplifiers** for television transmitters and transposers. The **excellent d.c. dissipation properties** for class-A operation are obtained by means of diffused emitter ballasting resistors and a multi-base structure, providing an optimum temperature profile on the crystal

area. The combination of optimum thermal design and the application of **gold sandwich metallization** realizes excellent reliability properties.

The transistor has a 1/4" capstan envelope with ceramic cap.

QUICK REFERENCE DATA

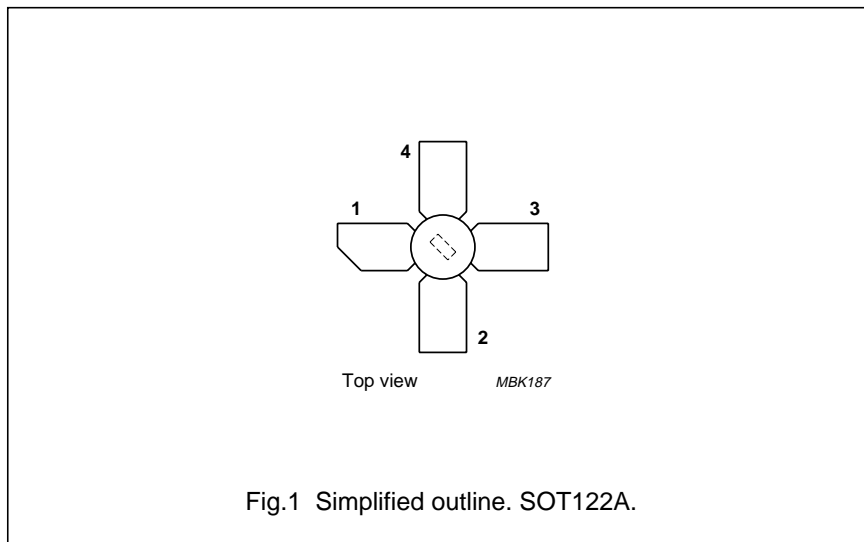
R.F. performance

MODE OF OPERATION	f _{vision} MHz	V _{CE} V	I _C mA	T _h °C	d _{im} ⁽¹⁾ dB	P _{o sync} ⁽¹⁾ W	G _p dB
class-A; linear amplifier	860	25	150	70	-60	> 0,5	> 11
	860	25	150	25	-60	typ. 0,63	typ. 12,2

Note

1. Three-tone test method (vision carrier -8 dB, sound carrier -7 dB, sideband signal -16 dB), zero dB corresponds to peak sync level.

PIN CONFIGURATION



PINNING - SOT122A.

PIN	DESCRIPTION
1	collector
2	emitter
3	base
4	emitter

PRODUCT SAFETY This device incorporates beryllium oxide, the dust of which is toxic. The device is entirely safe provided that the BeO disc is not damaged.

UHF linear power transistor

BLW32

RATINGS

Limiting values in accordance with the Absolute Maximum System (IEC 134)

Collector-emitter voltage

(peak value); $V_{BE} = 0$

open base

V_{CESM} max. 50 V

V_{CEO} max. 30 V

Emitter-base voltage (open collector)

V_{EBO} max. 4 V

Collector current

d.c. or average

I_C max. 650 mA

(peak value); $f > 1$ MHz

I_{CM} max. 1000 mA

Total power dissipation up to $T_{mb} = 25$ °C

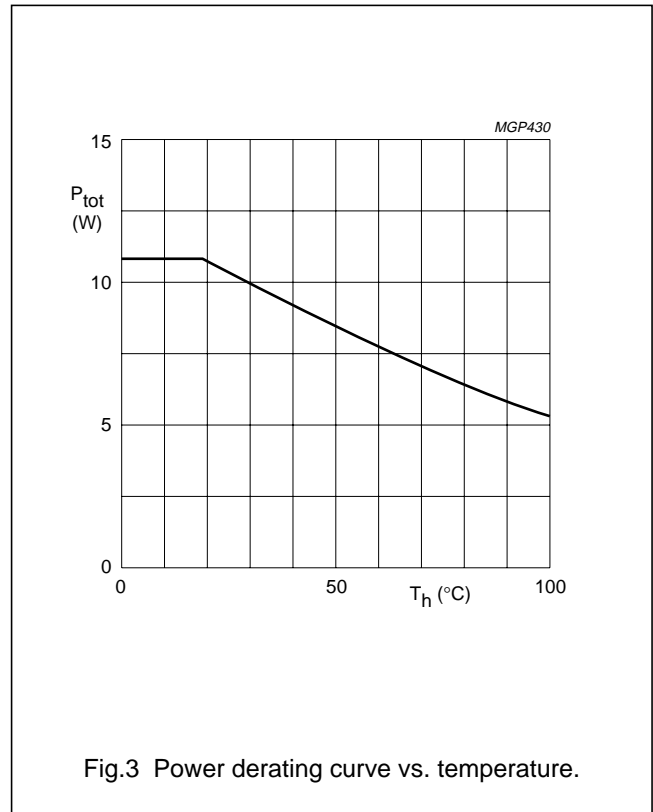
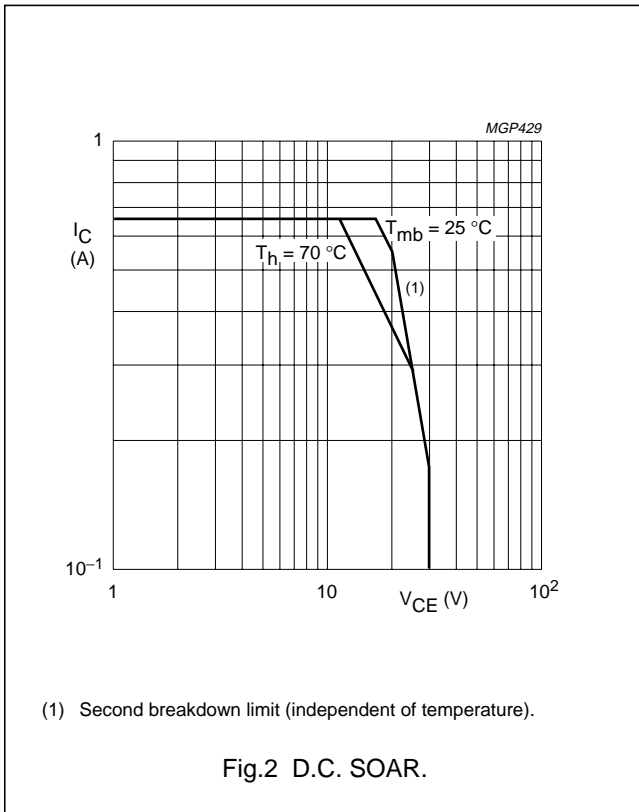
P_{tot} max. 10,8 W

Storage temperature

T_{stg} -65 to +150 °C

Operating junction temperature

T_j max. 200 °C



THERMAL RESISTANCE (see Fig.4)

From junction to mounting base

(dissipation = 3,75 W; $T_{mb} = 72,3$ °C; i.e. $T_h = 70$ °C)

$R_{th\ j-mb}$ = 15,0 K/W

From mounting base to heatsink

$R_{th\ mb-h}$ = 0,6 K/W

UHF linear power transistor

BLW32

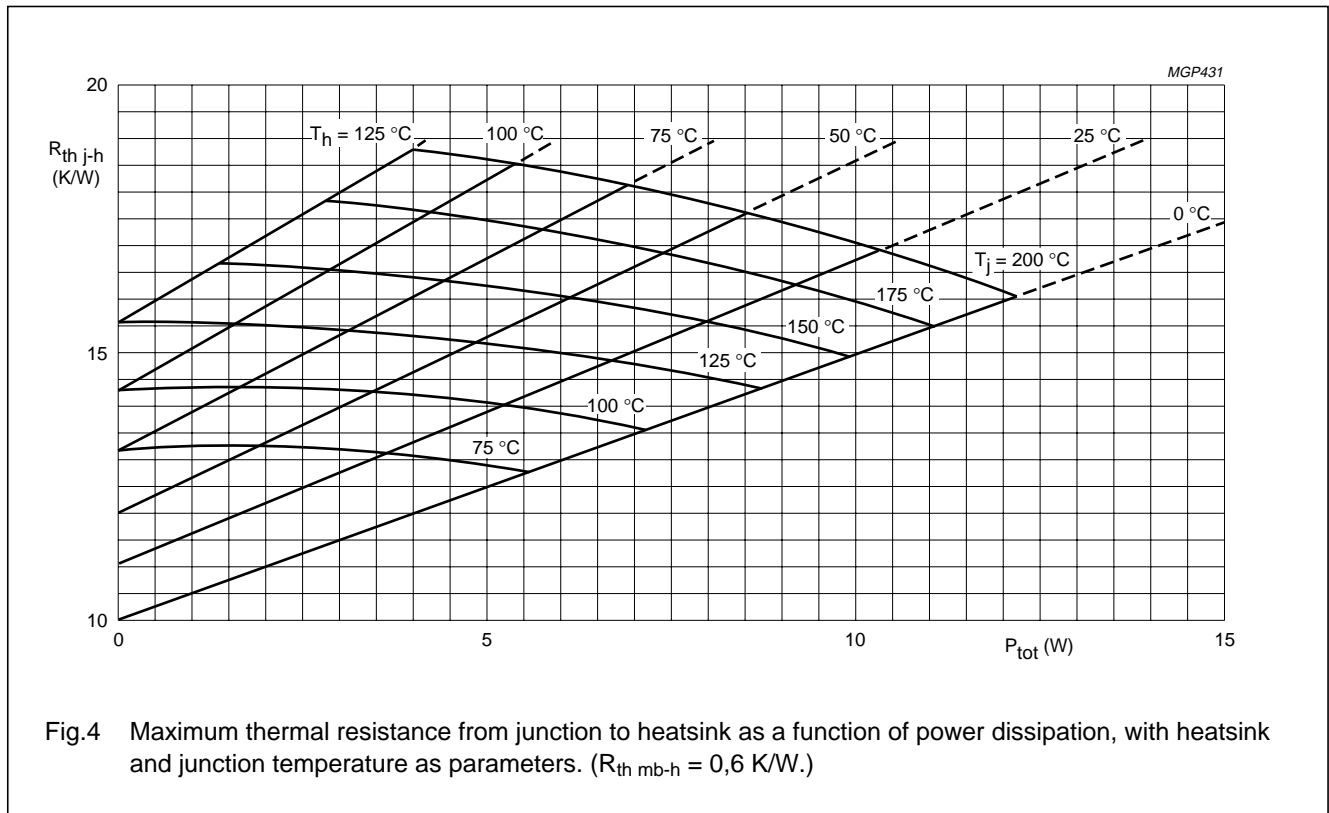


Fig.4 Maximum thermal resistance from junction to heatsink as a function of power dissipation, with heatsink and junction temperature as parameters. ($R_{th\ mb-h} = 0,6\ K/W$.)

Example

Nominal class-A operation: $V_{CE} = 25\ V$; $I_C = 150\ mA$; $T_h = 70\ ^\circ C$.

Fig.4 shows:	$R_{th\ j-h}$	max.	15,6 K/W
	T_j	max.	130 °C
Typical device:	$R_{th\ j-h}$	typ.	13,5 K/W
	T_j	typ.	120 °C

UHF linear power transistor

BLW32

CHARACTERISTICS $T_j = 25\text{ °C}$ unless otherwise specified

Collector-emitter breakdown voltage

 $V_{BE} = 0; I_C = 2\text{ mA}$ $V_{(BR)CES} > 50\text{ V}$ open base; $I_C = 15\text{ mA}$ $V_{(BR)CEO} > 30\text{ V}$

Emitter-base breakdown voltage

open collector; $I_E = 1\text{ mA}$ $V_{(BR)EBO} > 4\text{ V}$

Collector cut-off current

 $V_{BE} = 0; V_{CE} = 30\text{ V}$ $I_{CES} < 0,5\text{ mA}$ $V_{BE} = 0; V_{CE} = 30\text{ V}; T_j = 175\text{ °C}$ $I_{CES} < 1,2\text{ mA}$ D.C. current gain ⁽¹⁾ $I_C = 150\text{ mA}; V_{CE} = 25\text{ V}$ $h_{FE} > 20$
typ. 40 $I_C = 150\text{ mA}; V_{CE} = 25\text{ V}; T_j = 175\text{ °C}$ $h_{FE} < 120$ Collector-emitter saturation voltage ⁽¹⁾ $I_C = 300\text{ mA}; I_B = 30\text{ mA}$ V_{CEsat} typ. 500 mVTransition frequency at $f = 500\text{ MHz}$ ⁽²⁾ $-I_E = 150\text{ mA}; V_{CB} = 25\text{ V}$ f_T typ. 3,5 GHz $-I_E = 300\text{ mA}; V_{CB} = 25\text{ V}$ f_T typ. 3,4 GHzCollector capacitance at $f = 1\text{ MHz}$ $I_E = I_e = 0; V_{CB} = 25\text{ V}$ C_c typ. 3,7 pFFeedback capacitance at $f = 1\text{ MHz}$ $I_C = 10\text{ mA}; V_{CE} = 25\text{ V}$ C_{re} typ. 1,9 pF

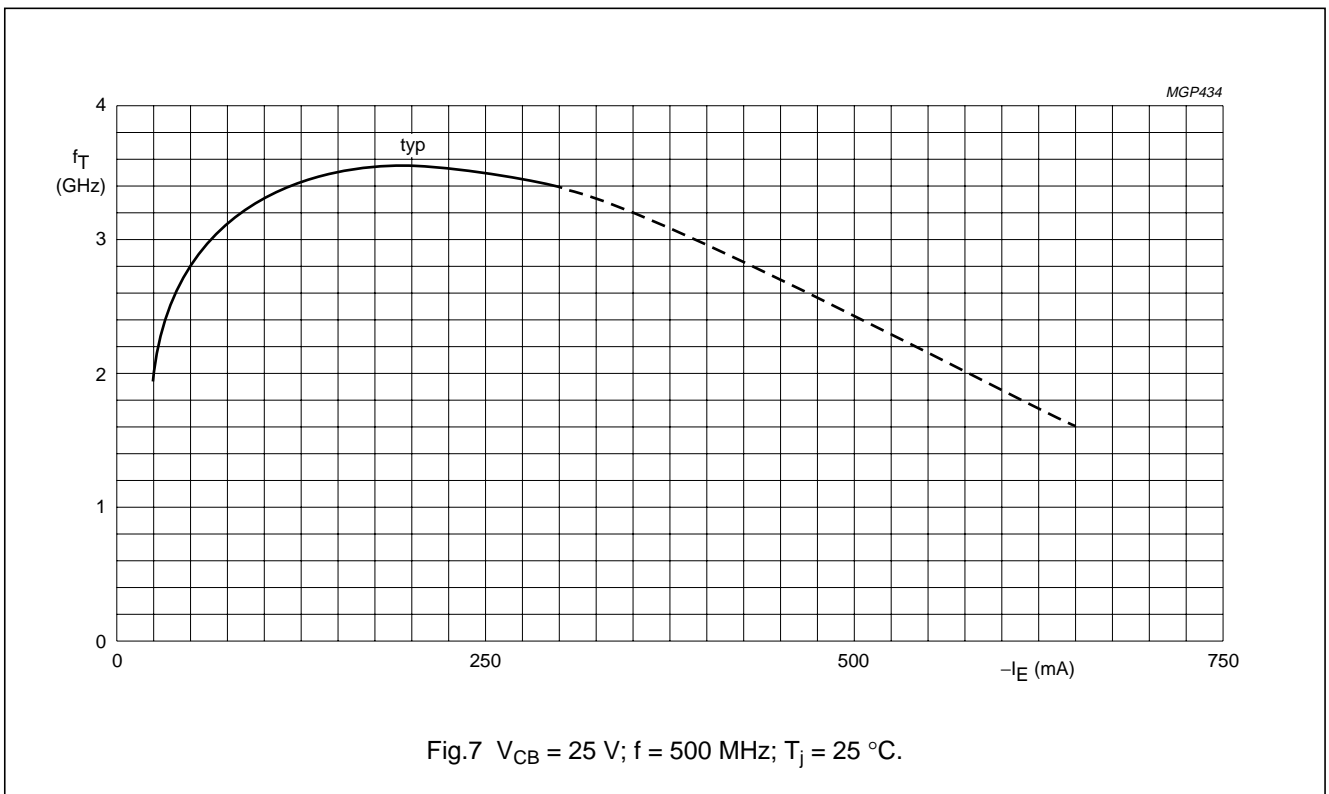
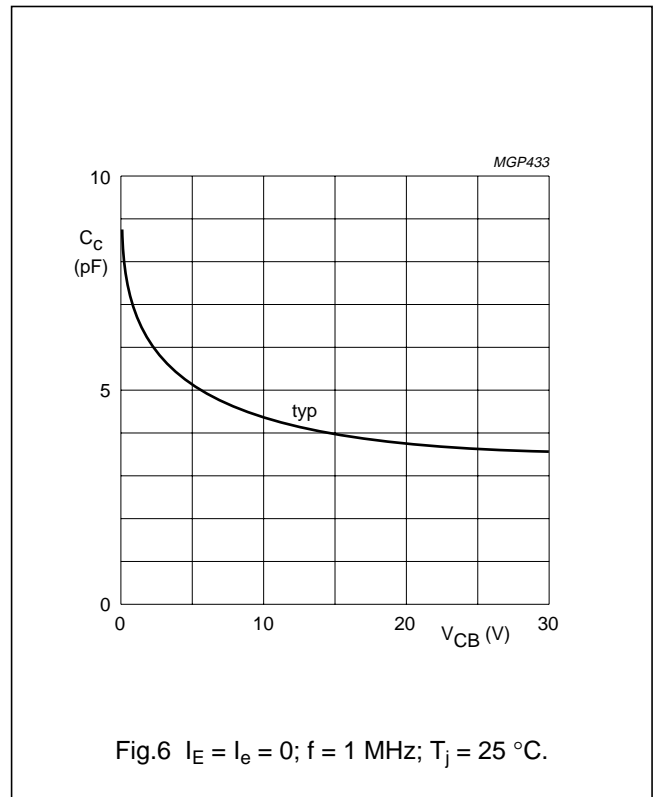
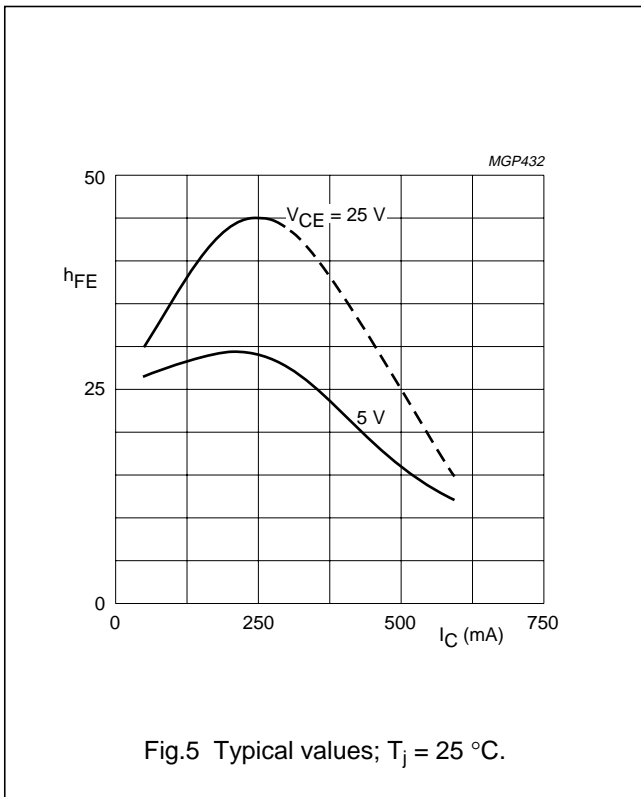
Collector-stud capacitance

 C_{cs} typ. 1,2 pF**Notes**

1. Measured under pulse conditions: $t_p \leq 300\text{ }\mu\text{s}$; $\delta \leq 0,02$.
2. Measured under pulse conditions: $t_p \leq 50\text{ }\mu\text{s}$; $\delta \leq 0,01$.

UHF linear power transistor

BLW32



UHF linear power transistor

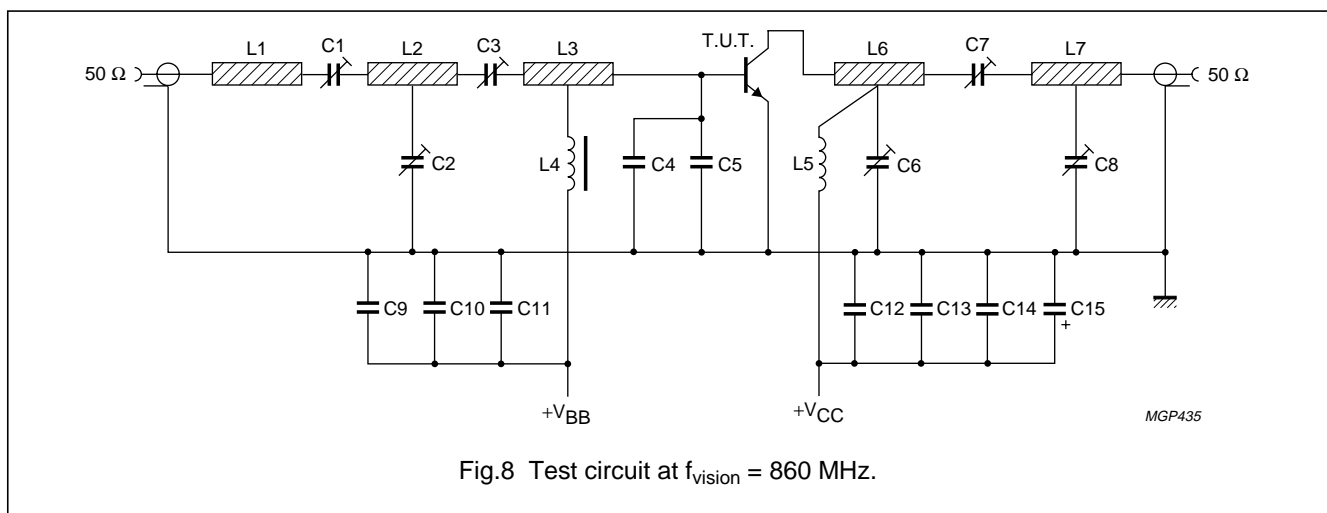
BLW32

APPLICATION INFORMATION

f_{vision} (MHz)	V_{CE} (V)	I_{c} (mA)	T_{h} (°C)	d_{im} (dB) ⁽¹⁾	$P_{\text{o sync}}$ (W) ⁽¹⁾	G_{p} (dB)
860	25	150	70	-60	> 0,5	> 11
860	25	150	70	-60	typ. 0,58	typ. 12,2
860	25	150	25	-60	typ. 0,63	typ. 12,2

Note

1. Three-tone test method (vision carrier -8 dB, sound carrier -7 dB, sideband signal -16 dB), zero dB corresponds to peak sync level.



List of components:

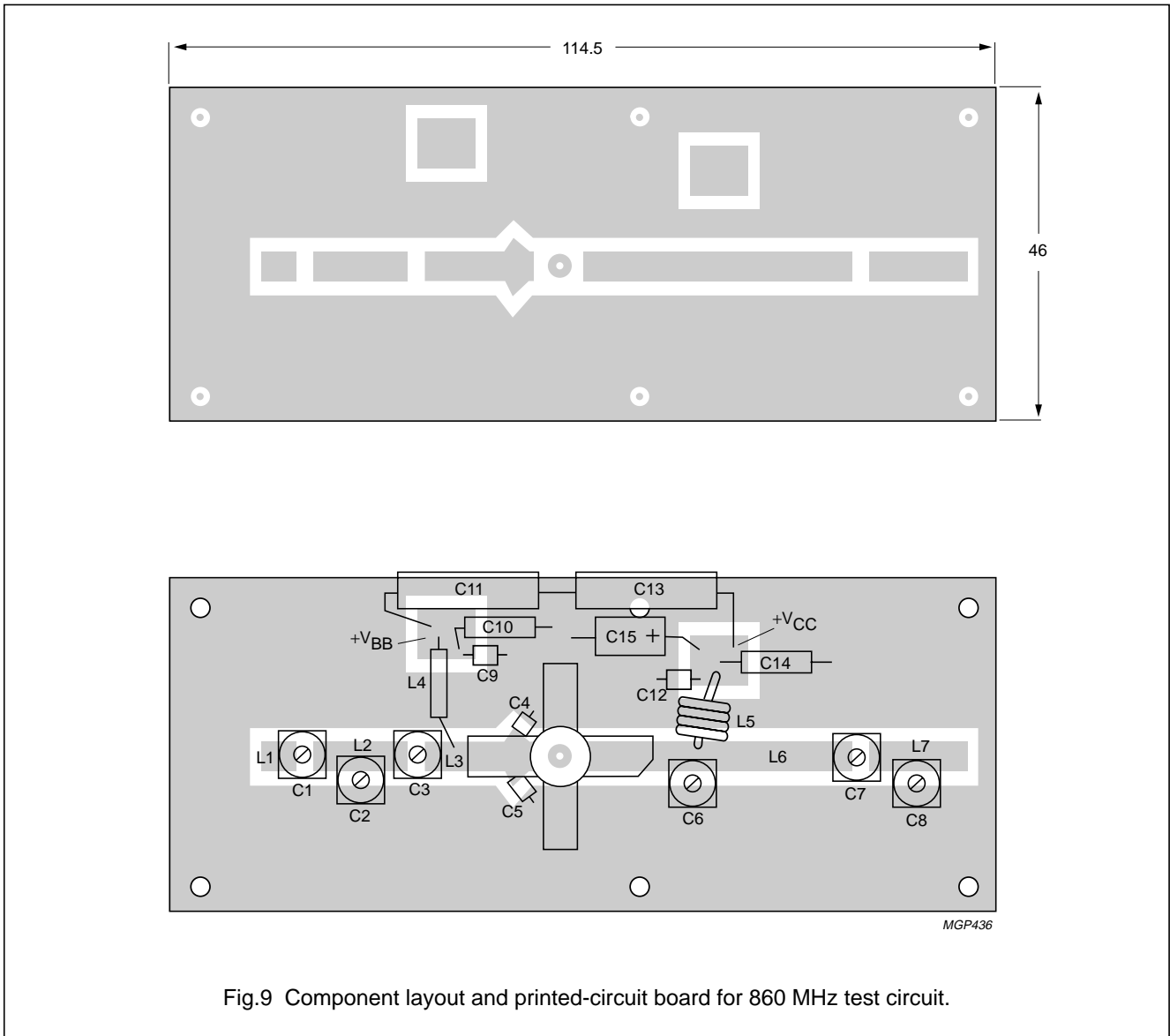
- C1 = C7 = 2 to 18 pF film dielectric trimmer (cat. no. 2222 809 05003)
- C2 = C6 = C8 = 1 to 3,5 pF film dielectric trimmer (cat. no. 2222 809 05001) placed 24 mm, 17 mm and 45 mm respectively from transistor edge
- C3 = 1,8 to 10 pF film dielectric trimmer (cat. no. 2222 809 05002)
- C4 = C5 = 3 pF multilayer chip capacitor (ATC 100A-3RO-C-PX-50)
- C9 = C12 = 1 nF chip capacitor
- C10 = 100 nF polyester capacitor
- C11 = C13 = 470 nF polyester capacitor
- C14 = 10 nF polyester capacitor
- C15 = 3,3 μ F/40 V solid aluminium electrolytic capacitor
- L1 = stripline (5,0 mm \times 4,5 mm)
- L2 = stripline (13,2 mm \times 4,5 mm)
- L3 = stripline (15,0 mm \times 4,5 mm)
- L4 = micro choke 0,47 μ H (cat. no. 4322 057 04770)
- L5 = 4 turns closely wound enamelled Cu wire (1,0 mm); int. dia. 5,5 mm; leads 2 \times 4 mm
- L6 = stripline (37,0 mm \times 4,5 mm)
- L7 = stripline (13,5 mm \times 4,5 mm)

UHF linear power transistor

BLW32

L1; L2; L3; L6 and L7 are striplines on a double Cu-clad printed-circuit board with PTFE fibre-glass dielectric ($\epsilon_r = 2,74$); thickness 1/16".

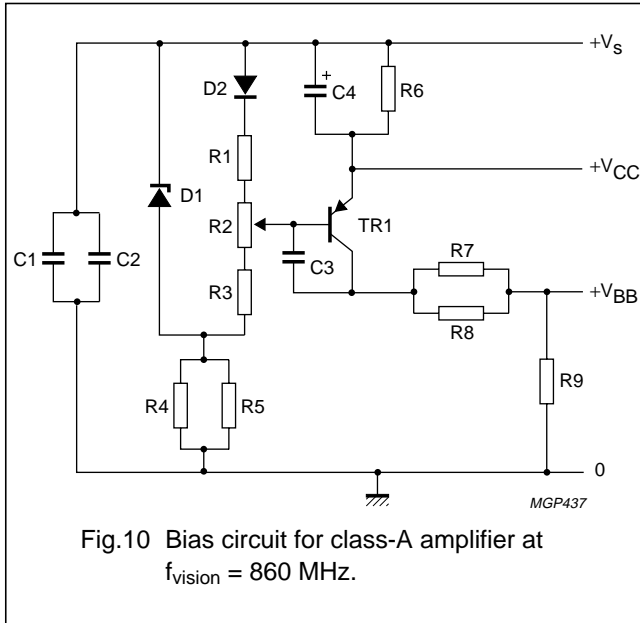
Component layout and printed-circuit board for 860 MHz test circuit are shown in Fig.9. For bias circuit see Fig.10.



The circuit and the components are situated on one side of the PTFE fibre-glass board, the other side being fully metallized to serve as earth. Earth connections are made by means of hollow rivets, whilst under the emitter leads Cu straps are used for a direct contact between upper and lower sheets.

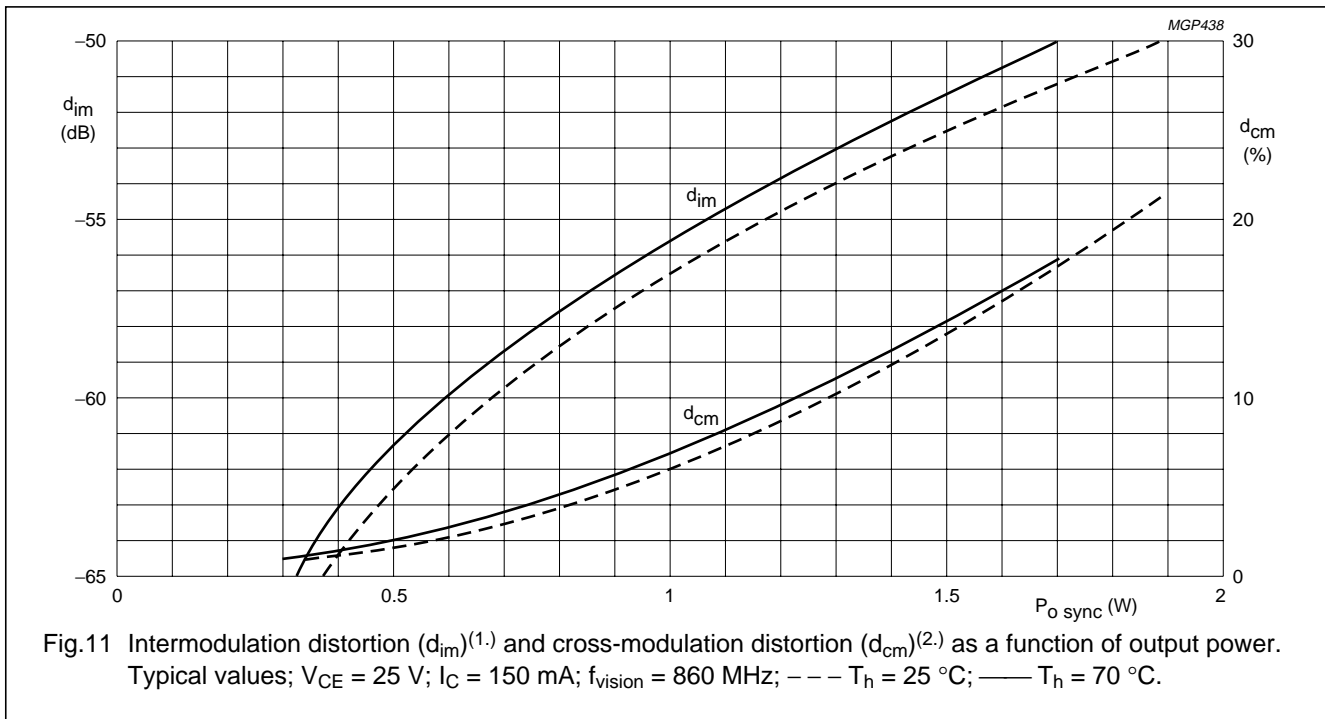
UHF linear power transistor

BLW32



List of components:

- C1 = 100 pF ceramic capacitor
- C2 = C3 = 100 nF polyester capacitor
- C4 = 10 $\mu\text{F}/25 \text{ V}$ solid aluminium electrolytic capacitor
- R1 = 150 Ω carbon resistor (0,25 W)
- R2 = 100 Ω preset potentiometer (0,1 W)
- R3 = 82 Ω carbon resistor (0,25 W)
- R4 = R5 = 2,2 k Ω carbon resistor (0,25 W)
- R6 = 12 Ω carbon resistor (0,5 W)
- R7 = R8 = 820 Ω carbon resistor (0,25 W)
- R9 = 33 Ω carbon resistor (0,25 W)
- D1 = BZY88-C3V3
- D2 = BY206
- TR1 = BD136

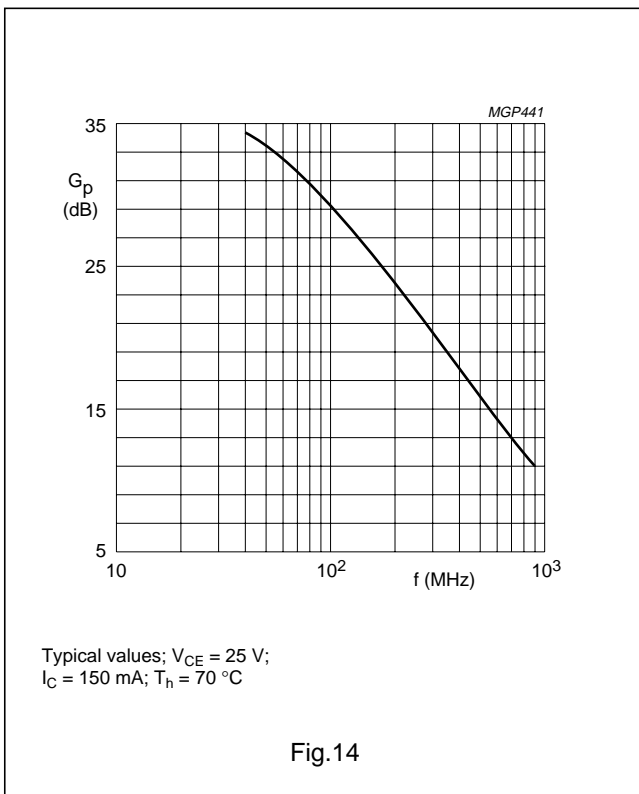
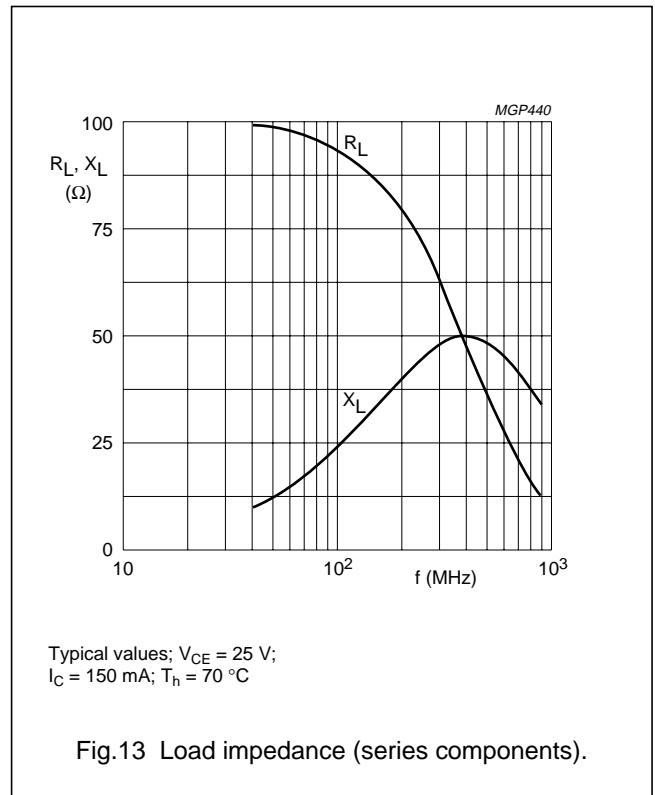
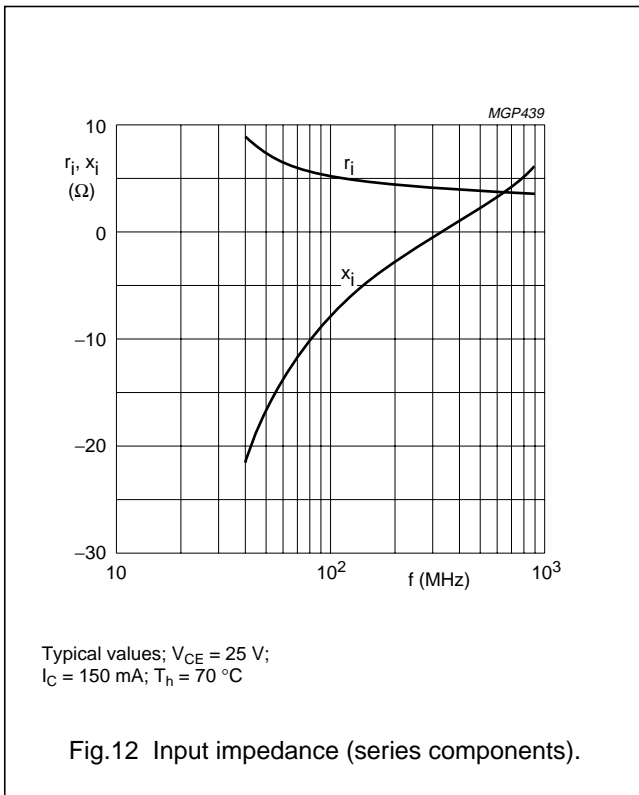


Information for wideband application from 470 to 860 MHz available on request.

1. Three-tone test method (vision carrier -8 dB , sound carrier -7 dB , sideband signal -16 dB), zero dB corresponds to peak sync level.
Intermodulation distortion of input signal $\leq -75 \text{ dB}$.
2. Two-tone test method (vision carrier 0 dB , sound carrier -7 dB), zero dB corresponds to peak sync level.
Cross-modulation distortion (d_{cm}) is the voltage variation (%) of sound carrier when vision carrier is switched from 0 dB to -20 dB .

UHF linear power transistor

BLW32



Ruggedness

The BLW32 is capable of withstanding a load mismatch (VSWR = 50 through all phases) under the following conditions:

$f = 860\text{ MHz}$; $V_{CE} = 25\text{ V}$; $I_C = 150\text{ mA}$;
 $T_h = 70\text{ }^\circ\text{C}$ and $P_L = 1\text{ W}$.

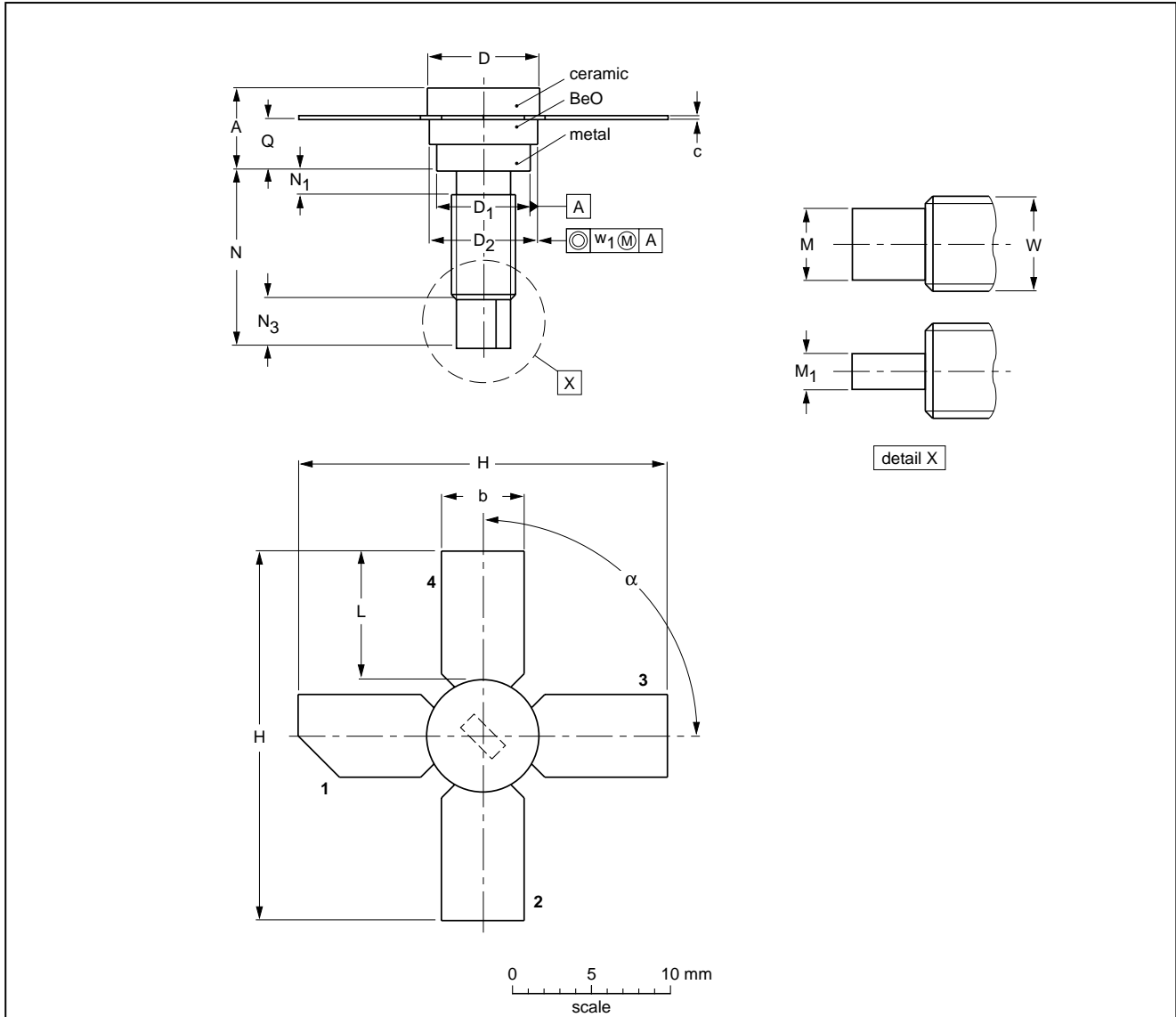
UHF linear power transistor

BLW32

PACKAGE OUTLINE

Studded ceramic package; 4 leads

SOT122A



DIMENSIONS (millimetre dimensions are derived from the original inch dimensions)

UNIT	A	b	c	D	D ₁	D ₂	H	L	M ₁	M	N	N ₁ max.	N ₃	Q	W	w ₁	α
mm	5.97 4.74	5.85 5.58	0.18 0.14	7.50 7.23	6.48 6.22	7.24 6.93	27.56 25.78	9.91 9.14	3.18 2.66	1.66 1.39	11.82 11.04	1.02	3.86 2.92	3.38 2.74	8-32 UNC	0.381	90°

OUTLINE VERSION	REFERENCES				EUROPEAN PROJECTION	ISSUE DATE
	IEC	JEDEC	EIAJ			
SOT122A						97-04-18

UHF linear power transistor

BLW32

DEFINITIONS

Data Sheet Status	
Objective specification	This data sheet contains target or goal specifications for product development.
Preliminary specification	This data sheet contains preliminary data; supplementary data may be published later.
Product specification	This data sheet contains final product specifications.
Limiting values	
Limiting values given are in accordance with the Absolute Maximum Rating System (IEC 134). Stress above one or more of the limiting values may cause permanent damage to the device. These are stress ratings only and operation of the device at these or at any other conditions above those given in the Characteristics sections of the specification is not implied. Exposure to limiting values for extended periods may affect device reliability.	
Application information	
Where application information is given, it is advisory and does not form part of the specification.	

LIFE SUPPORT APPLICATIONS

These products are not designed for use in life support appliances, devices, or systems where malfunction of these products can reasonably be expected to result in personal injury. Philips customers using or selling these products for use in such applications do so at their own risk and agree to fully indemnify Philips for any damages resulting from such improper use or sale.



LittleDiode supplies new, hard to find or obsolete electronic components and semiconductors all over the world.

With over two million different components listed you are sure to find the part you need.

Feel free to visit us today at our online store:

LittleDiode.com

Looking forward to providing you with the best possible service.