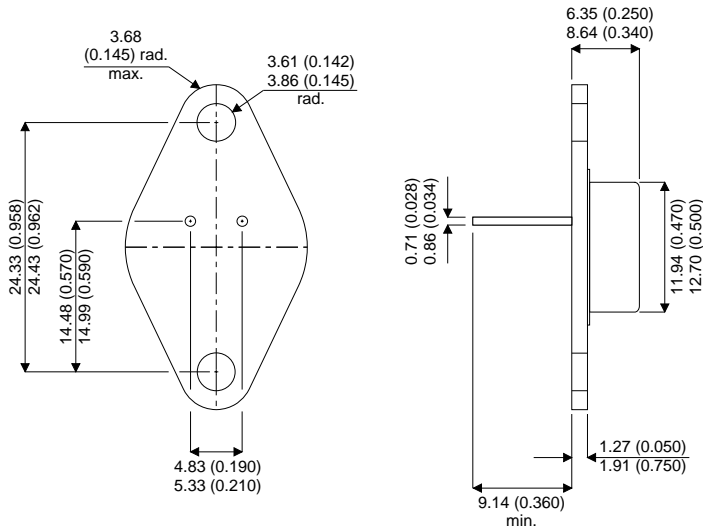


MECHANICAL DATA

Dimensions in mm



TO66 Package.

Pin 1 – Base Pin 2 – Emitter Case - Collector

**PNP
SILICON TRANSISTOR,
EPITAXIAL BASE**

FEATURES:

- LF Large Signal Power Amplification
- Medium Current Switching

ABSOLUTE MAXIMUM RATINGS ($T_{case} = 25^{\circ}C$ unless otherwise stated)

V_{CBO}	Collector – Base Voltage (Open Emitter)	- 90V
V_{CEO}	Collector – Emitter Voltage (Open Base)	- 55V
V_{CER}	Collector – Emitter Voltage $R_{BE} = 100\Omega$	- 60V
V_{CEX}	Collector – Base Voltage $V_{BE} = +1.5V$	- 90V
V_{EBO}	Emitter – Base Voltage	-7V
I_C	Collector Current	-4V
I_B	Base Current	-2V
P_{tot}	Power Dissipation	29W
T_J	Maximum Junction Temperature	200°C
T_{STG}	Storage Temperature	-65 to 200°C
$R_{th-(j-c)}$	Junction to Case.	6°C / W

ELECTRICAL CHARACTERISTICS ($T_{case} = 25^{\circ}C$ unless otherwise stated)

Parameter	Test Conditions	Min.	Typ.	Max.	Unit
I_{CEX} Collector Emitter Cut Off Current	$V_{CE} = -90V$ $V_{BE} = +1.5V$			-1	mA
	$V_{CE} = -30V$ $V_{BE} = +1.5V$ $T_{case} = 150^{\circ}C$			-5	
$V_{CEO(SUS)}$ * Collector Emitter Breakdown Voltage	$I_C = -100mA$ $I_B = 0$	-55			V
$V_{CER(SUS)}$ * Collector Emitter Breakdown Voltage	$I_C = -100mA$ $R_{BE} = 100\Omega$	-60			
$V_{(BR)EBO}$ * Emitter Base Breakdown Voltage	$I_E = -1A$ $I_C = 0$	-7			V
h_{21E} * Static Forward Current Transfer Ratio	$V_{CE} = -4V$ $I_C = -0.5A$	25		250	—
$V_{CE(sat)}$ * Collector Emitter Saturation Voltage	$I_C = -0.5A$ $I_B = -0.05A$			-1	V
V_{BE} * Base Emitter Voltage	$V_{CE} = -4V$ $I_C = -0.5A$			-1.7	V
f_T Transition Frequency	$V_{CB} = -10V$ $I_C = -0.2A$ $f = 1MHz$	4			MHz

* Pulse test $t_p = 300\mu s$, $\delta < 2\%$

This datasheet has been downloaded from:

www.DatasheetCatalog.com

Datasheets for electronic components.



LittleDiode supplies new, hard to find or obsolete electronic components and semiconductors all over the world.

With over two million different components listed you are sure to find the part you need.

Feel free to visit us today at our online store:

LittleDiode.com

Looking forward to providing you with the best possible service.