

2SC5449

• • • • NPN • • • •

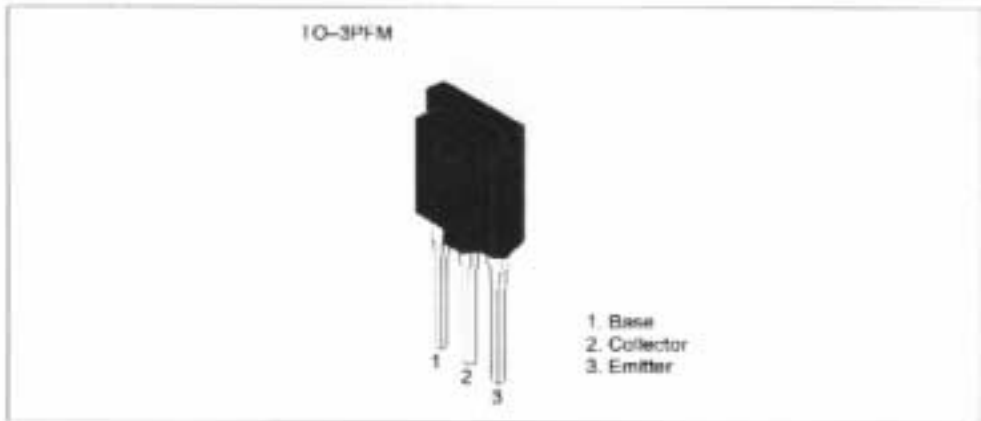
HITACHI

ADJ-208-544(Z)

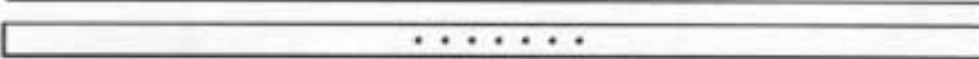
• 4 • •



- • • • •
- • • • •
- $t_r = 0.15 \mu\text{sec (typ) at } f_c = 64\text{kHz}$
- • • • $A_{VGS} = 1500\text{V}$
- • • • • $f_{T(30PPM)}$ • • •



2SC5449



(Ta = 25°)

..	2SC5449
.....	V _{CE0}	1500	V
.....	V _{CE1}	700	V
.....	V _{CE(sat)}	6	V
.....	I _C	12	A
.....	I _{BE(sat)}	24	A
.....	P _C **	50	W
.....	T _J	150	..
.....	Tstg	-55° +150	..

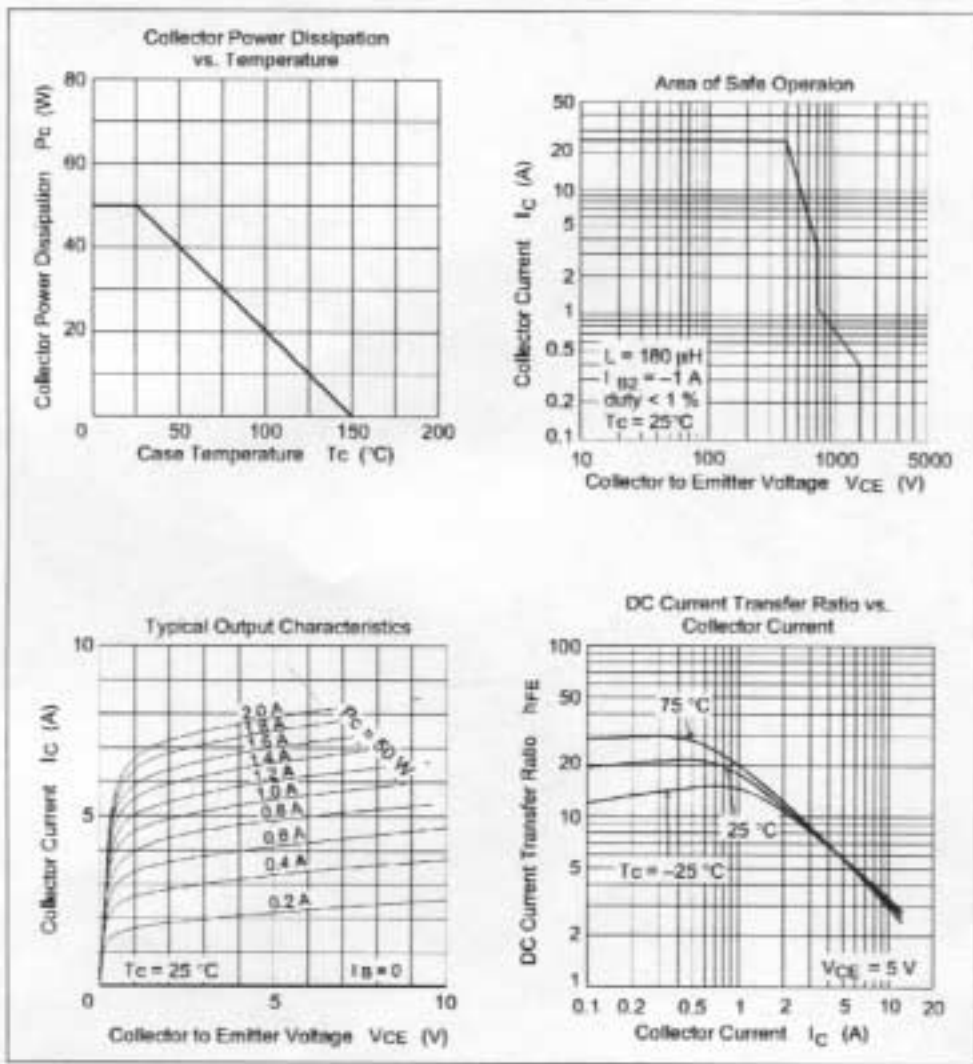
..... *1: f_c = 25°



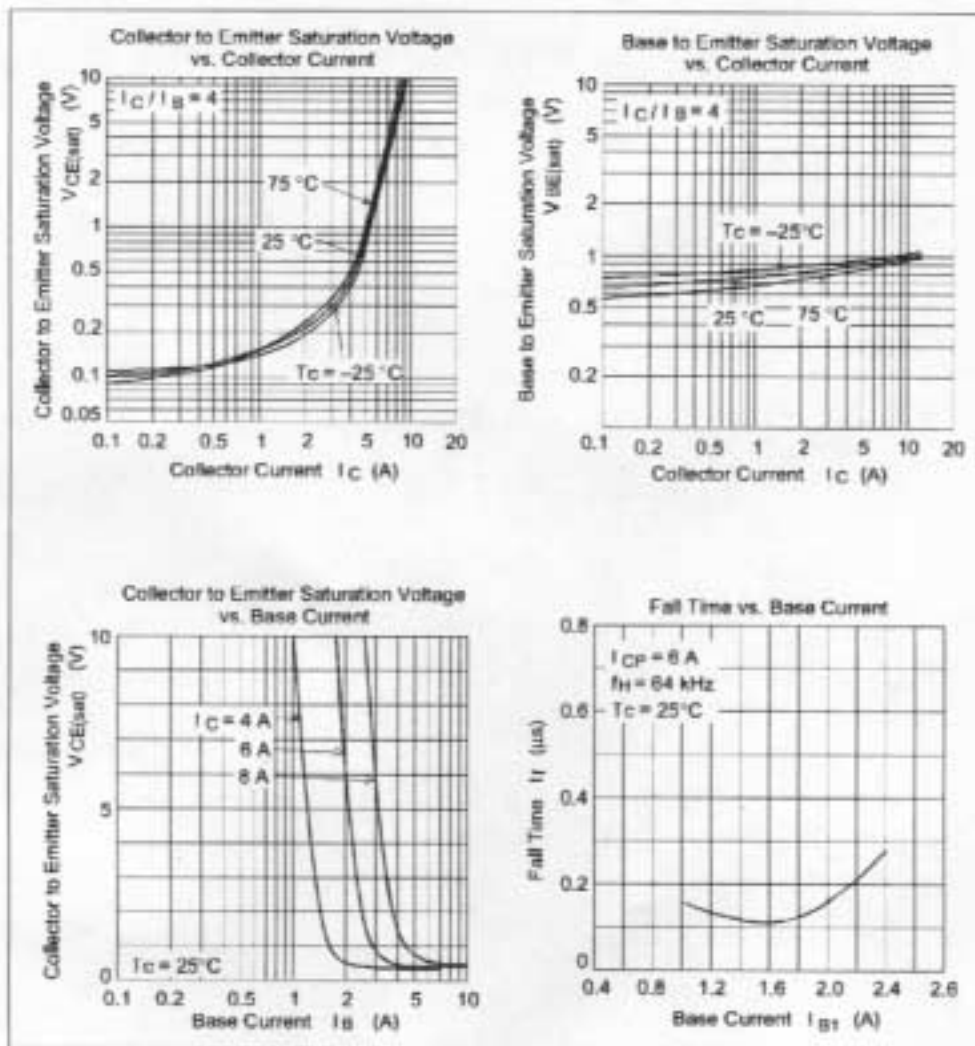
(Ta = 25°)

..	Min	Typ	Max
.....	V _{BE(sat)}	700	—	—	V	I _C = 10mA, R _{BE} = ..
.....	V _{BE(sat)}	6	—	—	V	I _C = 10mA, I _B = 0
.....	I _{CE0}	—	—	500	µA	V _{CE} = 1500V, R _{BE} = 0
.....	f _{BE1}	10	—	30		V _{CE} = 5V, I _C = 1A
.....	f _{BE2}	3.5	—	6.5		V _{CE} = 5V, I _C = 7A
.....	V _{CE(sat)}	—	—	5	V	I _C = 7A, I _B = 1.8A
.....	V _{BE(sat)}	—	—	1.5	V	I _C = 7A, I _B = 1.8A
.....	t _r	—	0.2	0.4	µs	I _{CE} = 6A, I _{BE} = 2A, f _i = 31.5kHz
.....	t _f	—	0.15	—	µs	I _{CE} = 6A, I _{BE} = 2A, f _i = 64kHz

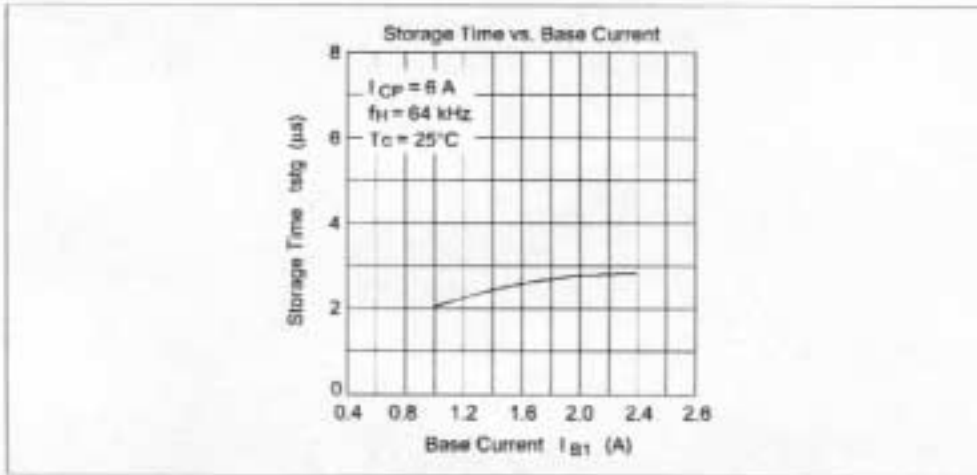
2SC5449



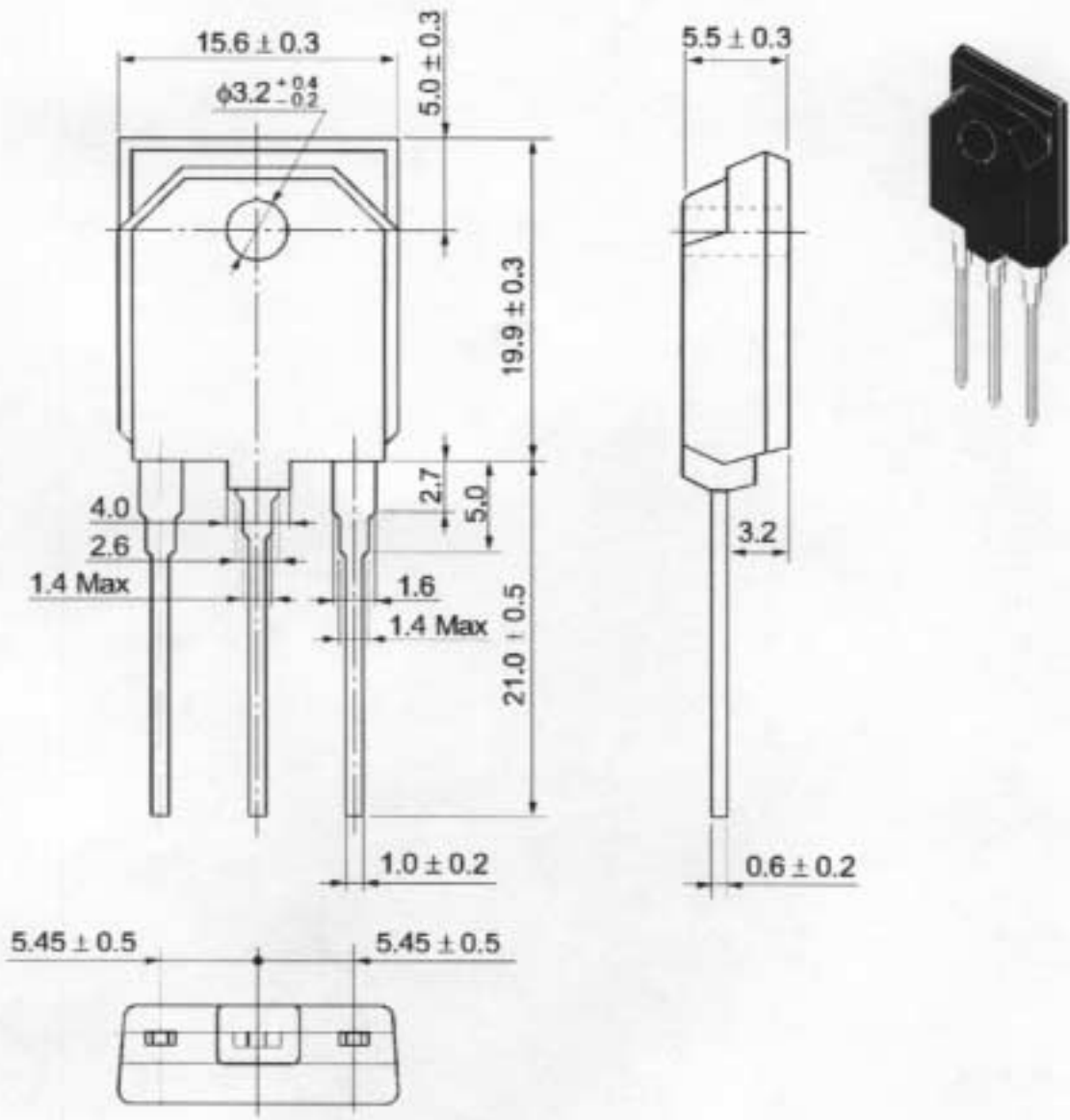
2SC5449



2SC5449



Unit: mm



Hitachi Code	TO-3PFM
JEDEC	—
EIAJ	—
Weight (reference value)	5.6 g