

# Central<sup>TM</sup> Semiconductor Corp.

145 Adams Avenue, Hauppauge, NY 11788 USA  
Tel: (631) 435-1110 • Fax: (631) 435-1824

Manufacturers of World Class Discrete Semiconductors

CPR1-010 SERIES

GLASS PASSIVATED RECTIFIER  
1.0 AMPS, 100-1200 VOLTS

GPR-1A CASE

## DESCRIPTION

The CENTRAL SEMICONDUCTOR CPR1-010 series types are silicon rectifiers manufactured in a hermetically sealed, glass passivated package designed for general purpose applications where high reliability is desired.

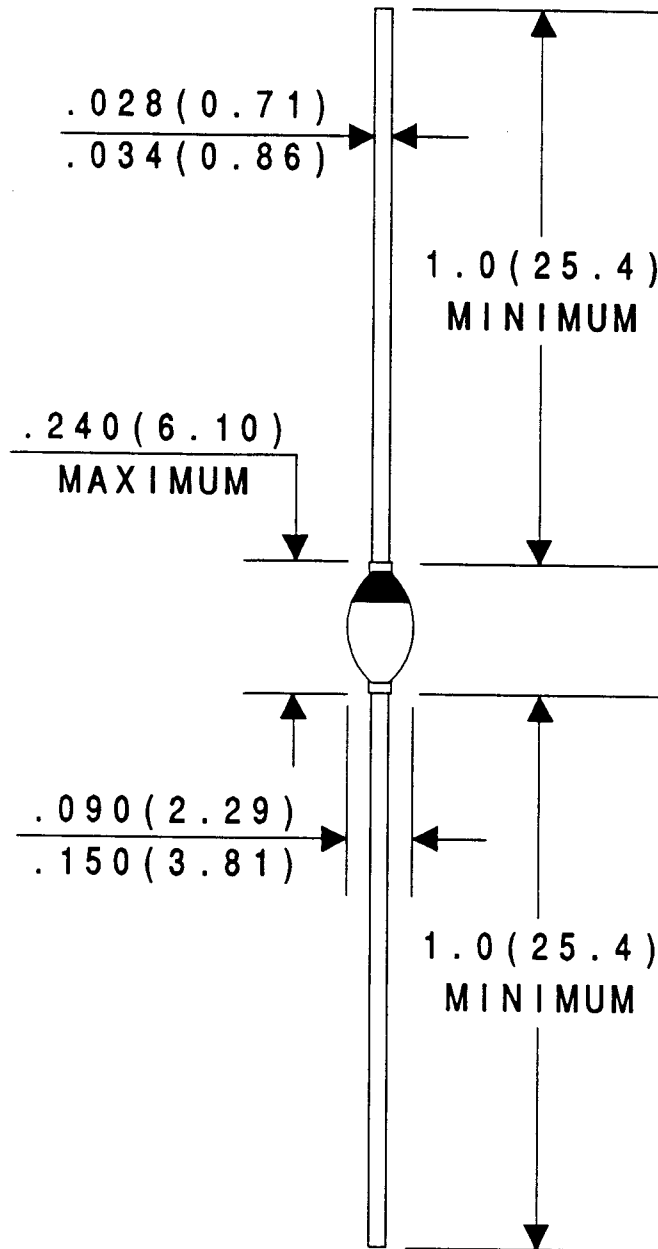
## MAXIMUM RATINGS ( $T_A = 25^\circ\text{C}$ )

	<u>SYMBOL</u>	<u>CPR1</u> <u>-010</u>	<u>CPR1</u> <u>-020</u>	<u>CPR1</u> <u>-040</u>	<u>CPR1</u> <u>-060</u>	<u>CPR1</u> <u>-080</u>	<u>CPR1</u> <u>-100</u>	<u>CPR1</u> <u>-120</u>	<u>UNITS</u>
Peak Repetitive Reverse Voltage	$V_{RRM}$	100	200	400	600	800	1000	1200	V
DC Blocking Voltage	$V_R$	100	200	400	600	800	1000	1200	V
RMS Reverse Voltage	$V_{RMS}$	70	140	280	420	560	700	840	V
Average Forward Current ( $T_A = 75^\circ\text{C}$ )	$I_O$				1.0				A
Peak Forward Surge Current	$I_{FSM}$				50				A
Operating and Storage Junction Temperature	$T_J, T_{stg}$				-65 to +175				$^\circ\text{C}$
Thermal Resistance	$\theta_{JA}$				40				$^\circ\text{C/W}$

## ELECTRICAL CHARACTERISTICS ( $T_A = 25^\circ\text{C}$ unless otherwise noted)

<u>SYMBOL</u>	<u>TEST CONDITIONS</u>	<u>MIN</u>	<u>MAX</u>	<u>UNITS</u>
$I_R$	$V_R = \text{Rated } V_{RRM}$		5.0	$\mu\text{A}$
$I_R$	$V_R = \text{Rated } V_{RRM}, T_A = 150^\circ\text{C}$		100	$\mu\text{A}$
$V_F$	$I_F = 1.0\text{A}$		1.1	V
$C_J$	$V_R = 4.0\text{V}, f = 1.0\text{ MHz}$		15	pF
$t_{rr}$	$I_R = 1.0\text{A}, I_F = 0.5\text{A}, R_L = 100\Omega, \text{Rec. to } 0.25\text{A}$		2.0	$\mu\text{s}$

# GPR-1A CASE - MECHANICAL DIMENSIONS



All Dimensions in Inches (mm).



LittleDiode supplies new, hard to find or obsolete electronic components and semiconductors all over the world.

With over two million different components listed you are sure to find the part you need.

Feel free to visit us today at our online store:

[LittleDiode.com](http://LittleDiode.com)

Looking forward to providing you with the best possible service.