

BU522B

**7 AMPERES
DARLINGTON
POWER TRANSISTORS
NPN SILICON
450 VOLTS
75 WATTS**

High Voltage Silicon Power Darlington

Power Transistor mainly intended for use as ignition circuit output transistor.

- Specified minimum sustaining voltage:
 $V_{CE(sus)} = 425\text{ V}$ at $I_C = 1\text{ A}$
- High S.O.A. capability:
 $V_{CE} = 400\text{ V}$
- Low $V_{CE(sat)} = 2.0\text{ V}$ max. at $I_C = 4\text{ A}$

MAXIMUM RATINGS

Rating	Symbol	BU522B	Unit
Collector–Emitter Voltage Sust.	$V_{CE(sus)}$	425	Vdc
Collector–Emitter Voltage	V_{CE}	450	Vdc
Collector–Base Voltage	V_{CBO}	475	Vdc
Emitter–Base Voltage	V_{EBO}	5.0	Vdc
Collector Current Continuous	I_C	7.0	A _{dc}
Base Current	I_B	2.0	A _{dc}
Total Device Dissipation @ $T_C = 25^\circ\text{C}$ Derate above 25°C	P_D	75 0.60	Watts W/ $^\circ\text{C}$
Operating and Storage Junction Temperature Range	T_J, T_{stg}	-65 to 150	$^\circ\text{C}$

THERMAL CHARACTERISTICS

Characteristic	Symbol	Max.	Unit
Thermal Resistance, Junction to Case	θ_{JC}	1.67	$^\circ\text{C/W}$

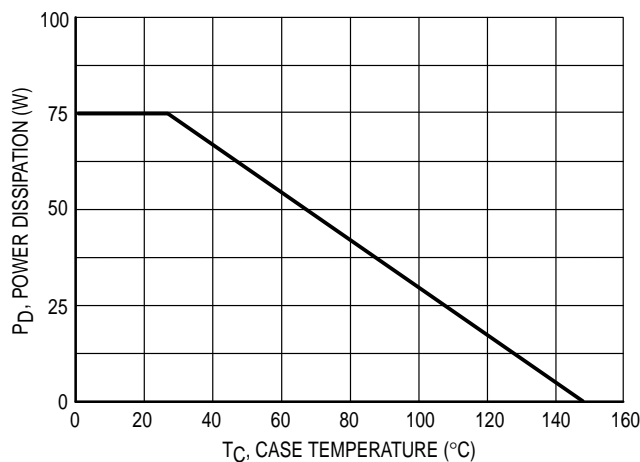
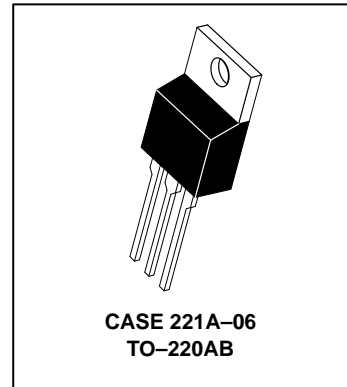
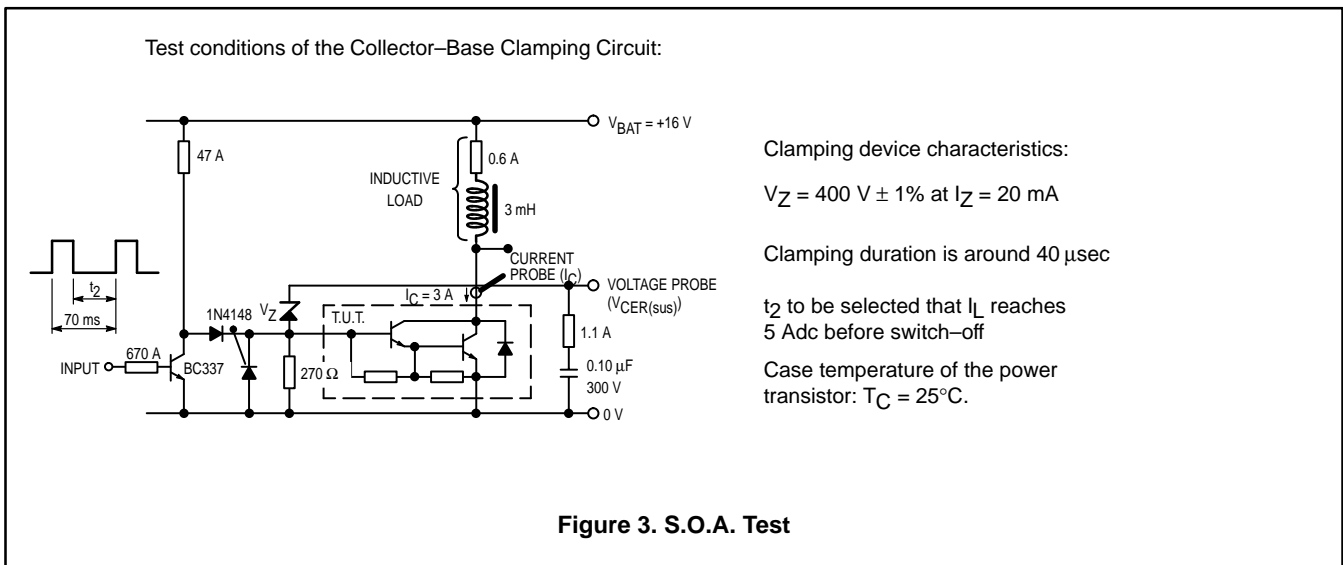
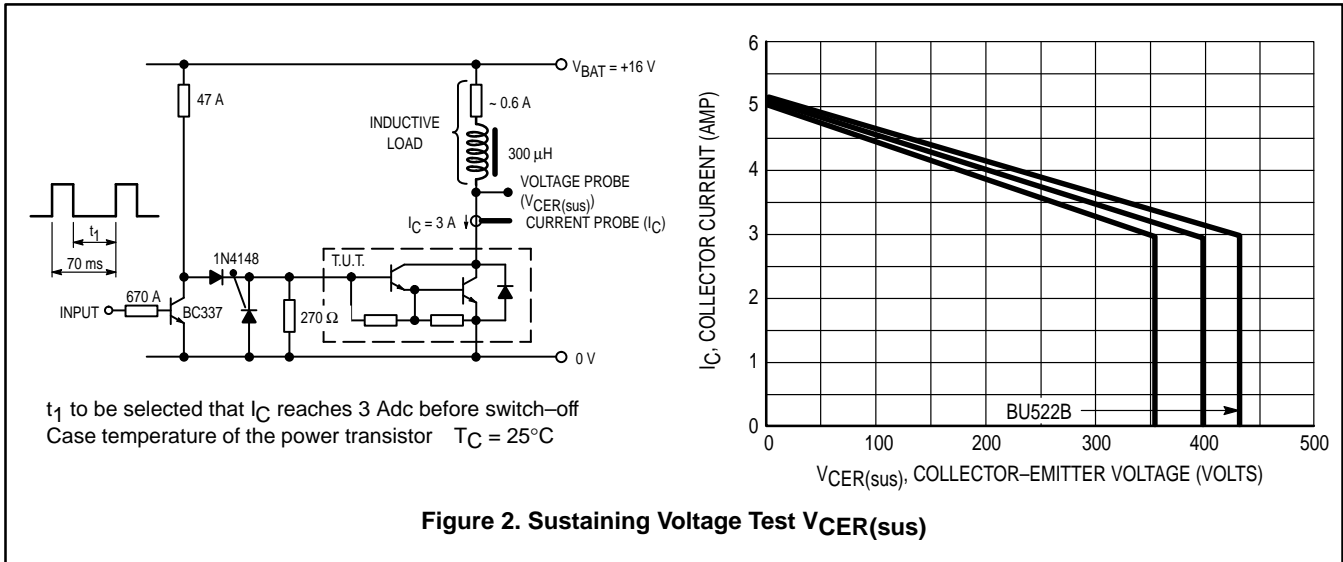


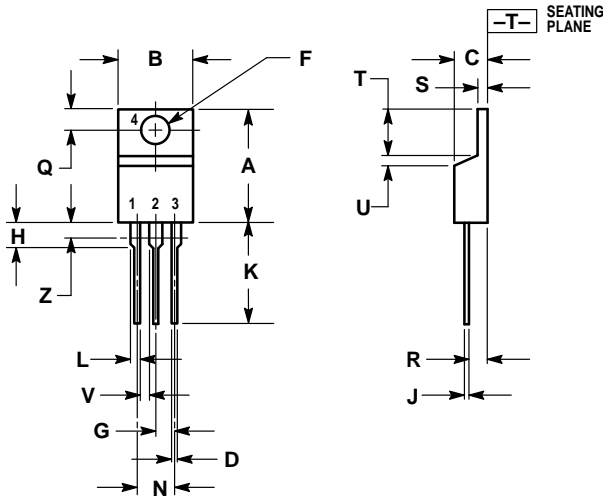
Figure 1. Power Derating

BU522B**ELECTRICAL CHARACTERISTICS** ($T_C = 25^\circ\text{C}$ unless otherwise noted)

Characteristic	Symbol	Min	Typ	Max	Unit
OFF CHARACTERISTICS					
Collector–Emitter Sustaining Voltage (See Figure 2) ($I_C = 1.0\text{ A}$) See Figure 2	$V_{CE(sus)}$	425			Vdc
Collector Cutoff Current (Rated V_{CE} , $R_{BE} = 270\ \Omega$)	I_{CER}			1.0	mAdc
Collector Cutoff Current (Rated V_{CBO} , $I_E = 0$)	I_{CBO}			1.0	mAdc
Emitter Cutoff Current ($V_{EB} = 5.0\text{ Vdc}$, $I_C = 0$)	I_{EBO}			40	mAdc
ON CHARACTERISTICS					
DC Current Gain ($I_C = 2.5\text{ Adc}$, $V_{CE} = 5\text{ Vdc}$)	h_{FE}	250			—
Collector–Emitter Saturation Voltage ($I_C = 4\text{ Adc}$, $I_B = 80\text{ mAdc}$)	$V_{CE(sat)}$			2	Vdc
Base–Emitter Saturation Voltage ($I_C = 4\text{ Adc}$, $I_B = 80\text{ mAdc}$)	$V_{BE(sat)}$			2.5	Vdc
DYNAMIC CHARACTERISTICS					
Current Gain — Bandwidth Product ($I_C = 0.3\text{ mAdc}$, $V_{CE} = 5.0\text{ Vdc}$, $f_{test} = 10\text{ MHz}$)	f_T		7.5		MHz
Output Capacitance ($V_{CB} = 10\text{ Vdc}$, $I_E = 0$, $f = 0.1\text{ MHz}$)	C_{ob}		150		pF



PACKAGE DIMENSIONS



- NOTES:
1. DIMENSIONING AND TOLERANCING PER ANSI Y14.5M, 1982.
 2. CONTROLLING DIMENSION: INCH.
 3. DIMENSION Z DEFINES A ZONE WHERE ALL BODY AND LEAD IRREGULARITIES ARE ALLOWED.

DIM	INCHES		MILLIMETERS	
	MIN	MAX	MIN	MAX
A	0.570	0.620	14.48	15.75
B	0.380	0.405	9.66	10.28
C	0.160	0.190	4.07	4.82
D	0.025	0.035	0.64	0.88
F	0.142	0.147	3.61	3.73
G	0.095	0.105	2.42	2.66
H	0.110	0.155	2.80	3.93
J	0.018	0.025	0.46	0.64
K	0.500	0.562	12.70	14.27
L	0.045	0.060	1.15	1.52
N	0.190	0.210	4.83	5.33
Q	0.100	0.120	2.54	3.04
R	0.080	0.110	2.04	2.79
S	0.045	0.055	1.15	1.39
T	0.235	0.255	5.97	6.47
U	0.000	0.050	0.00	1.27
V	0.045	—	1.15	—
Z	—	0.080	—	2.04

- STYLE 1:
1. BASE
 2. COLLECTOR
 3. EMITTER
 4. COLLECTOR

CASE 221A-06
TO-220AB
ISSUE Y

Motorola reserves the right to make changes without further notice to any products herein. Motorola makes no warranty, representation or guarantee regarding the suitability of its products for any particular purpose, nor does Motorola assume any liability arising out of the application or use of any product or circuit, and specifically disclaims any and all liability, including without limitation consequential or incidental damages. "Typical" parameters can and do vary in different applications. All operating parameters, including "Typicals" must be validated for each customer application by customer's technical experts. Motorola does not convey any license under its patent rights nor the rights of others. Motorola products are not designed, intended, or authorized for use as components in systems intended for surgical implant into the body, or other applications intended to support or sustain life, or for any other application in which the failure of the Motorola product could create a situation where personal injury or death may occur. Should Buyer purchase or use Motorola products for any such unintended or unauthorized application, Buyer shall indemnify and hold Motorola and its officers, employees, subsidiaries, affiliates, and distributors harmless against all claims, costs, damages, and expenses, and reasonable attorney fees arising out of, directly or indirectly, any claim of personal injury or death associated with such unintended or unauthorized use, even if such claim alleges that Motorola was negligent regarding the design or manufacture of the part. Motorola and are registered trademarks of Motorola, Inc. Motorola, Inc. is an Equal Opportunity/Affirmative Action Employer.

How to reach us:
USA / EUROPE: Motorola Literature Distribution;
 P.O. Box 20912; Phoenix, Arizona 85036. 1-800-441-2447

JAPAN: Nippon Motorola Ltd.; Tatsumi-SPD-JLDC, Toshikatsu Otsuki,
 6F Seibu-Butsuryu-Center, 3-14-2 Tatsumi Koto-Ku, Tokyo 135, Japan. 03-3521-8315

MFAX: RMFAX0@email.sps.mot.com - TOUCHTONE (602) 244-6609
INTERNET: http://Design-NET.com

HONG KONG: Motorola Semiconductors H.K. Ltd.; 8B Tai Ping Industrial Park,
 51 Ting Kok Road, Tai Po, N.T., Hong Kong. 852-26629298





LittleDiode supplies new, hard to find or obsolete electronic components and semiconductors all over the world.

With over two million different components listed you are sure to find the part you need.

Feel free to visit us today at our online store:

LittleDiode.com

Looking forward to providing you with the best possible service.