

IPS021(S)

FULLY PROTECTED POWER MOSFET SWITCH

Features

- Over temperature shutdown
- Over current shutdown
- Active clamp
- Low current & logic level input
- E.S.D protection

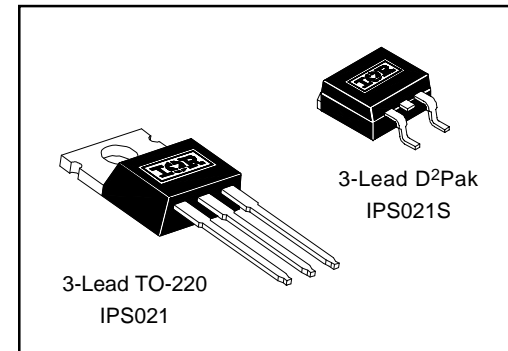
Description

The IPS021/IPS021S are fully protected three terminal SMART POWER MOSFETs that feature over-current, over-temperature, ESD protection and drain to source active clamp. These devices combine a HEXFET® POWER MOSFET and a gate driver. They offer full protection and high reliability required in harsh environments. The driver allows short switching times and provides efficient protection by turning OFF the power MOSFET when the temperature exceeds 165°C or when the drain current reaches 5A. These devices restart once the input is cycled. The avalanche capability is significantly enhanced by the active clamp and covers most inductive load demagnetizations.

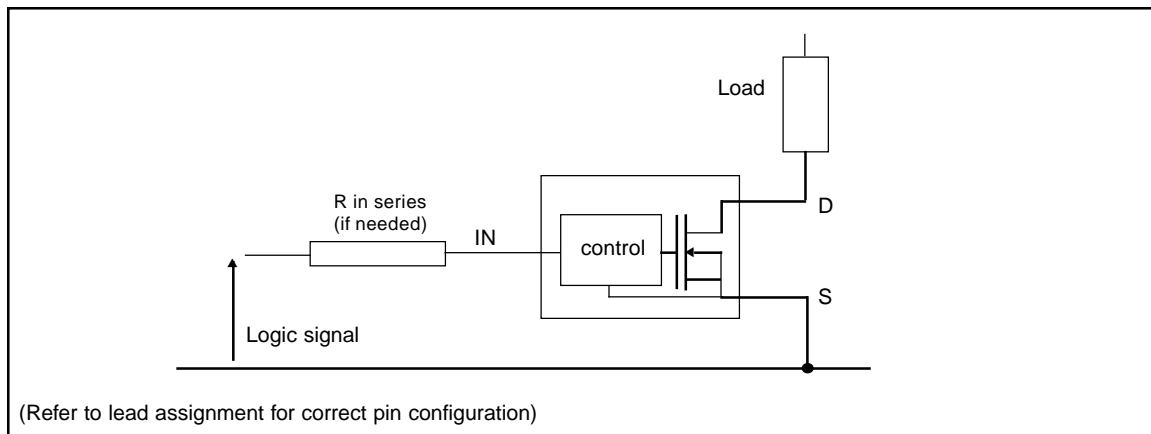
Product Summary

| | |
|------------------|-------------|
| $R_{ds(on)}$ | 150mΩ (max) |
| V_{clamp} | 50V |
| $I_{shutdown}$ | 5A |
| T_{on}/T_{off} | 1.5μs |

Packages



Typical Connection



IPS021(S)

Absolute Maximum Ratings

Absolute maximum ratings indicate sustained limits beyond which damage to the device may occur. All voltage parameters are referenced to SOURCE lead. (T_{Ambient} = 25°C unless otherwise specified). PCB mounting uses the standard footprint with 70 μm copper thickness.

| Symbol | Parameter | Min. | Max. | Units | Test Conditions |
|------------------------|--|------|------|-------|-----------------------|
| V _{ds} | Maximum drain to source voltage | — | 47 | V | |
| V _{in} | Maximum input voltage | -0.3 | 7 | | |
| I _{in, max} | Maximum IN current | -10 | +10 | mA | |
| I _{sd cont.} | Diode max. continuous current (1) (r _{th} =62°C/W) IPS021 (r _{th} =10°C/W) IPS021 (r _{th} =80°C/W) IPS021S | — | 2.8 | A | |
| | | — | 8 | | |
| | | — | 2.2 | | |
| I _{sd pulsed} | Diode max. pulsed current (1) | — | 10A | | |
| P _d | Maximum power dissipation ⁽¹⁾ (r _{th} =62°C/W) IPS021 (r _{th} =80°C/W) IPS021S | — | 2 | W | |
| | | — | 1.56 | | |
| | | | | | |
| ESD1 | Electrostatic discharge voltage (Human Body) | — | 4 | kV | C=100pF, R=1500Ω, |
| ESD2 | Electrostatic discharge voltage (Machine Model) | — | 0.5 | | C=200pF, R=0Ω, L=10μH |
| T _{stor.} | Max. storage temperature | -55 | 150 | °C | |
| T _{j max.} | Max. junction temperature. | -40 | 150 | | |
| T _{lead} | Lead temperature (soldering, 10 seconds) | — | 300 | | |

Thermal Characteristics

| Symbol | Parameter | Min. | Typ. | Max. | Units | Test Conditions |
|-------------------|---|------|------|------|-------|-----------------------------|
| R _{th 1} | Thermal resistance free air | — | 60 | — | °C/W | TO-220 |
| R _{th 2} | Thermal resistance junction to case | — | 5 | — | | |
| R _{th 1} | Thermal resistance with standard footprint | — | 80 | — | | D ² PAK (SMD220) |
| R _{th 2} | Thermal resistance with 1" square footprint | — | 50 | — | | |
| R _{th 3} | Thermal resistance junction to case | — | 5 | — | | |

Recommended Operating Conditions

These values are given for a quick design. For operation outside these conditions, please consult the application notes.

| Symbol | Parameter | Min. | Max. | Units |
|-----------------------------------|--|------|------|-------|
| V _{ds (max)} | Continuous drain to source voltage | — | 35 | V |
| V _{IH} | High level input voltage | 4 | 6 | |
| V _{IL} | Low level input voltage | 0 | 0.5 | |
| I _{ds} | Continuous drain current (T _{Ambient} = 85°C, I _N = 5V, r _{th} = 60°C/W, T _j = 125°C) | — | 1.8 | A |
| R _{in} | Recommended resistor in series with IN pin | 0.5 | 5 | kΩ |
| T _{r-in (max)} | Max recommended rise time for IN signal (see fig. 2) | — | 1 | μS |
| F _{r-Isc} ⁽²⁾ | Max. frequency in short circuit condition (V _{cc} = 14V) | 0 | 1 | kHz |

(1) Limited by junction temperature (pulsed current limited also by internal wiring)

(2) Operations at higher switching frequencies is possible. See Appl. Notes.

Static Electrical Characteristics

Standard footprint 70 μm copper thickness. $T_j = 25^\circ\text{C}$ (unless otherwise specified.)

| Symbol | Parameter | Min. | Typ. | Max. | Units | Test Conditions |
|-----------------------|---|------|------|------|---------------|--|
| R _{ds(on)} | ON state resistance $T_j = 25^\circ\text{C}$ $T_j = 150^\circ\text{C}$ | 100 | 130 | 150 | m Ω | $V_{in} = 5\text{V}$, $I_{ds} = 1\text{A}$ |
| | | — | 220 | 280 | | |
| I _{dss 1} | Drain to source leakage current | 0 | 0.01 | 25 | μA | $V_{cc} = 14\text{V}$, $T_j = 25^\circ\text{C}$ |
| I _{dss 2} | Drain to source leakage current | 0 | 0.1 | 50 | | $V_{cc} = 40\text{V}$, $T_j = 25^\circ\text{C}$ |
| V clamp 1 | Drain to source clamp voltage 1 | 48 | 54 | 56 | V | $I_d = 20\text{mA}$ (see Fig.3 & 4) |
| V clamp 2 | Drain to source clamp voltage 2 | 50 | 56 | 60 | | $I_d = \text{Ishutdown}$ (see Fig.3 & 4) |
| V _{in clamp} | IN to source clamp voltage | 7 | 8 | 9.5 | | $I_{in} = 1\text{mA}$ |
| V _{th} | IN threshold voltage | 1 | 1.5 | 2 | | $I_d = 50\text{mA}$, $V_{ds} = 14\text{V}$ |
| I _{in, -on} | ON state IN positive current | 25 | 90 | 200 | μA | $V_{in} = 5\text{V}$ |
| I _{in, -off} | ON state IN positive current | 50 | 130 | 250 | | $V_{in} = 5\text{V}$ over-current triggered |

Switching Electrical Characteristics

$V_{cc} = 14\text{V}$, Resistive Load = 10Ω , $R_{input} = 50\Omega$, $100\mu\text{s}$ pulse, $T_j = 25^\circ\text{C}$, (unless otherwise specified).

| Symbol | Parameter | Min. | Typ. | Max. | Units | Test Conditions |
|------------------|---|------|------|------|---------------|----------------------|
| T _{on} | Turn-on delay time | 0.15 | 0.5 | 1 | μs | See figure 2 |
| T _r | Rise time | 0.4 | 0.9 | 2 | | |
| T _{rf} | Time to (final R _{ds(on)}) 1.3) | 2 | 6 | 12 | | |
| T _{off} | Turn-off delay time | 0.8 | 2 | 3.5 | μs | See figure 2 |
| T _f | Fall time | 0.5 | 1.3 | 2.5 | | |
| Q _{in} | Total gate charge | — | 3.3 | — | nC | $V_{in} = 5\text{V}$ |

Protection Characteristics

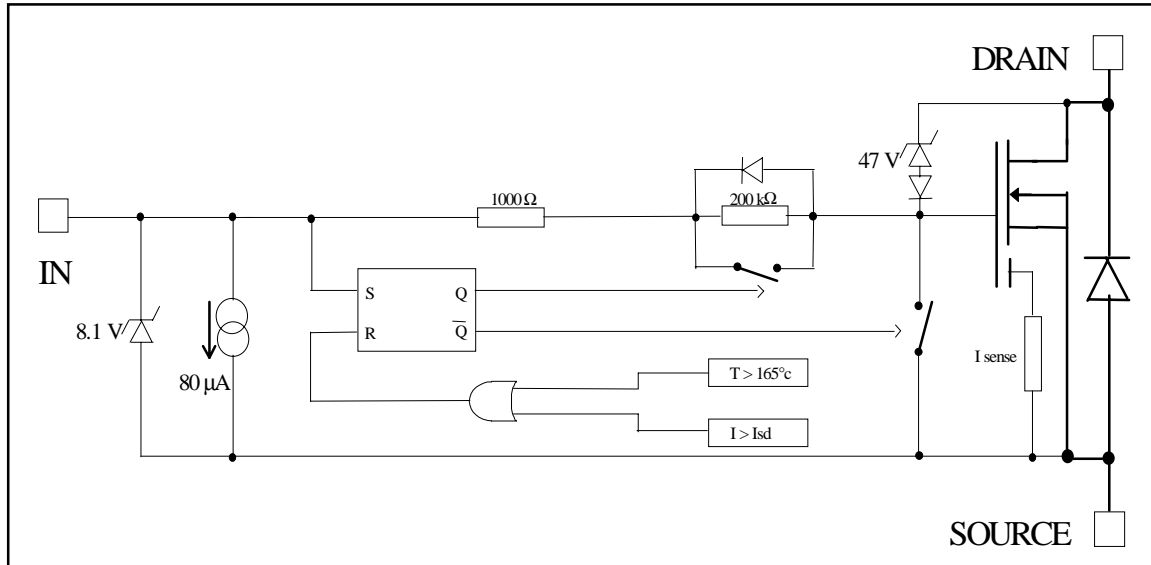
| Symbol | Parameter | Min. | Typ. | Max. | Units | Test Conditions |
|--------------------|---|------|------|------|------------------|---|
| T _{sd} | Over temperature threshold | — | 165 | — | $^\circ\text{C}$ | See fig. 1 |
| I _{sd} | Over current threshold | 4 | 5.5 | 7 | A | See fig. 1 |
| V _{reset} | IN protection reset threshold | 1.5 | 2.3 | 3 | V | |
| T _{reset} | Time to reset protection | 2 | 10 | 40 | μs | $V_{in} = 0\text{V}$, $T_j = 25^\circ\text{C}$ |
| EOI_OT | Short circuit energy (see application note) | — | 400 | — | μJ | $V_{cc} = 14\text{V}$ |

IPS021(S)

International
IR Rectifier

Functional Block Diagram

All values are typical



Lead Assignments

| | |
|---|------------------------------------|
| <p>2 (D)</p> <p>1 2 3 In D S TO-220</p> | <p>2 (D)</p> <p>1 3 In D S</p> |
| IPS021 | D²PAK (SMD220) |
| Part Number | |

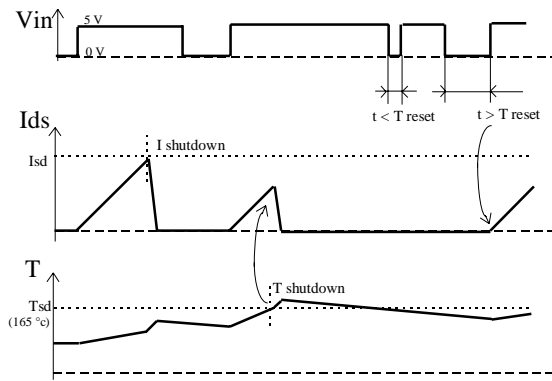


Figure 1 - Timing diagram

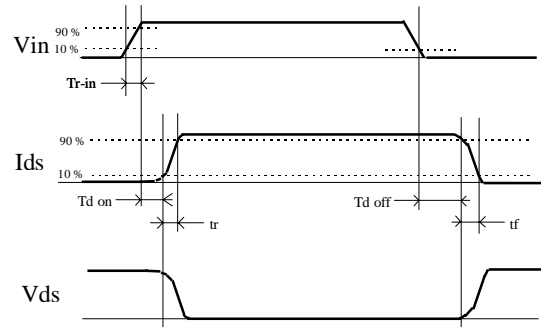


Figure 2 - IN rise time & switching time definitions

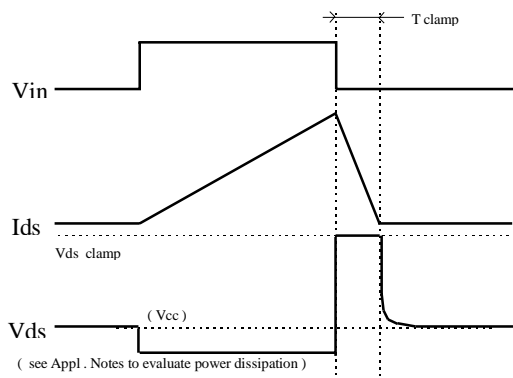


Figure 3 - Active clamp waveforms

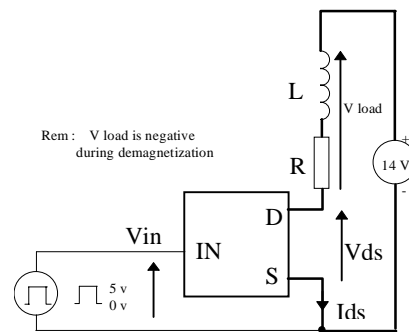


Figure 4 - Active clamp test circuit

All curves are typical values with standard footprints. Operating in the shaded area is not recommended.

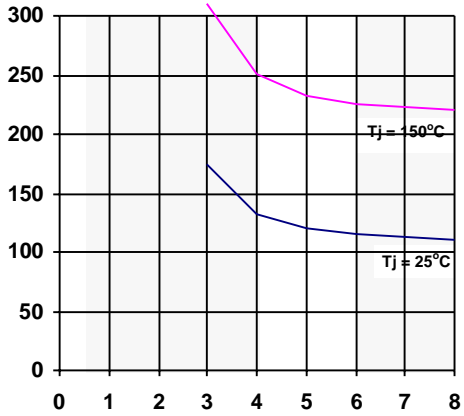


Figure 5 - Rds ON (mΩ) Vs Input Voltage (V)

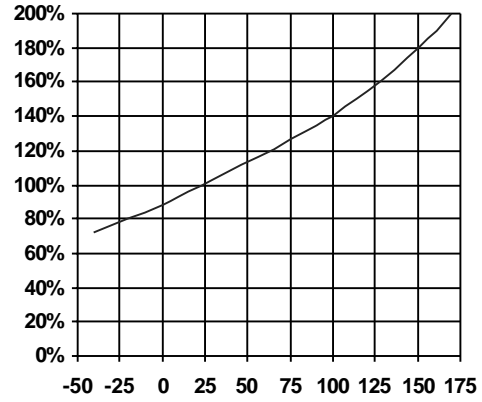


Figure 6 - Normalized Rds(on) (%) Vs Tj (°C)

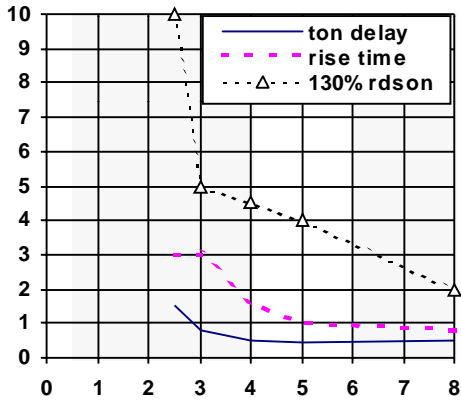


Figure 7 - Turn-ON Delay Time, Rise Time & Time to 130% final Rds(on) (us) Vs Input Voltage (V)

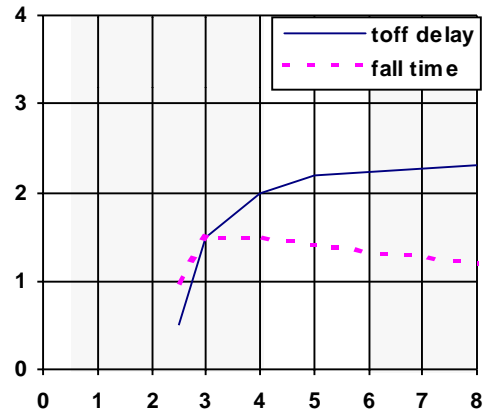


Figure 8 - Turn-OFF Delay Time & Fall Time (us) Vs Input Voltage (V)

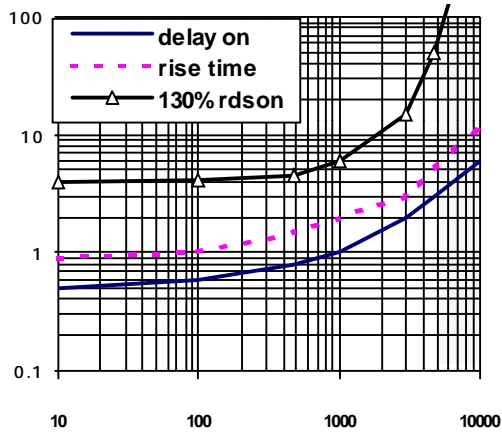


Figure 9 - Turn-ON Delay Time, Rise Time & Time to 130% final Rds(on) (us) Vs IN Resistor (Ω)

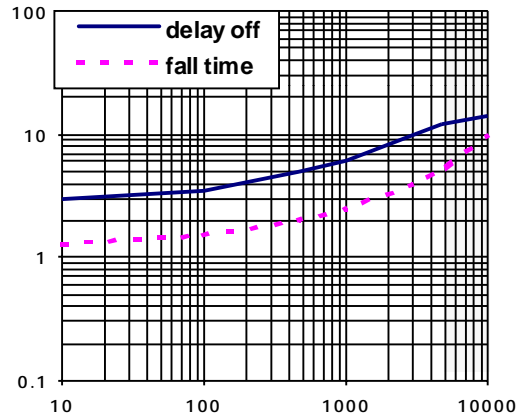


Figure 10 - Turn-OFF Delay Time & Fall Time (us) Vs IN Resistor (Ω)

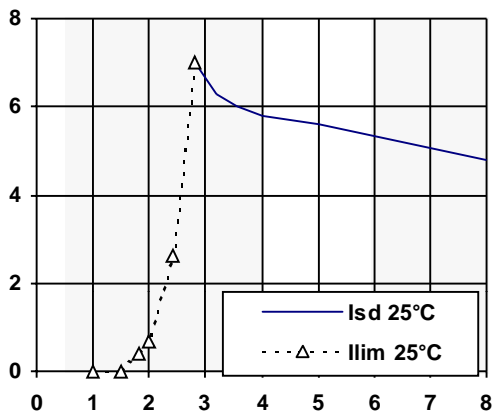


Figure 11 - Current lim. & I shutdown (A) Vs Vin (V)

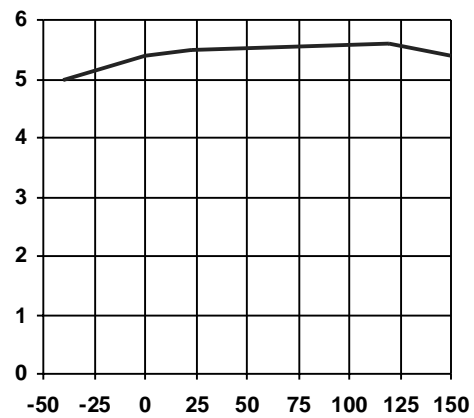


Figure 12 - I shutdown (A) Vs Temperature (°C)

IPS021(S)

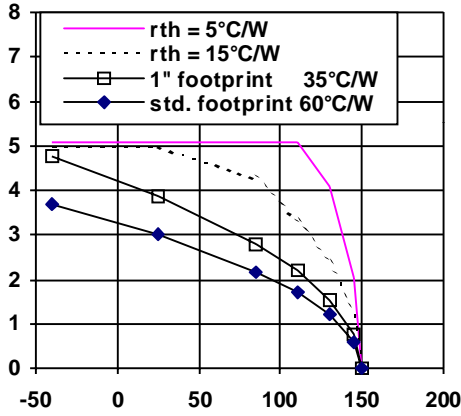


Figure 13 - Max.Cont. Ids (A)
Vs Amb. Temperature (°C) IPS021/IPS021S

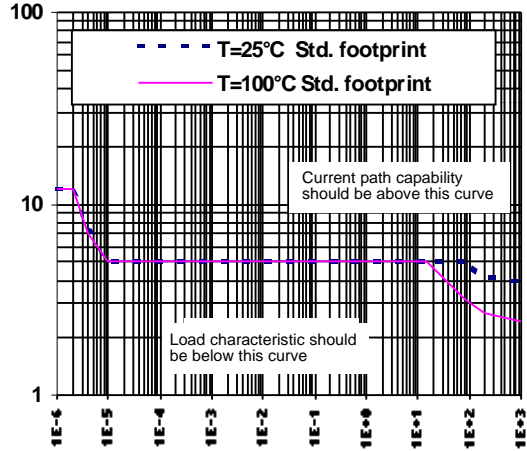


Figure 14 - Ids (A) Vs Protection Resp. Time (s)
IPS021 & IPS021S

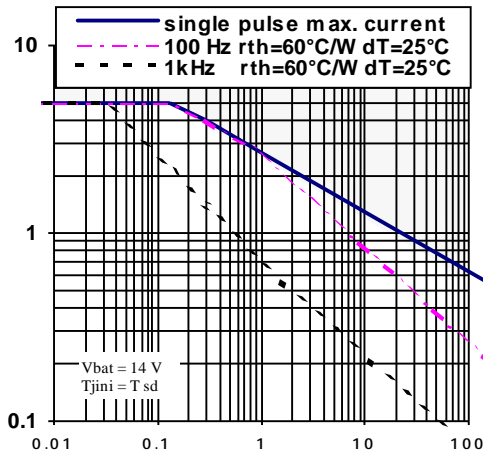


Figure 15a - Iclamp (A) Vs Inductive Load (mH)
IPS021

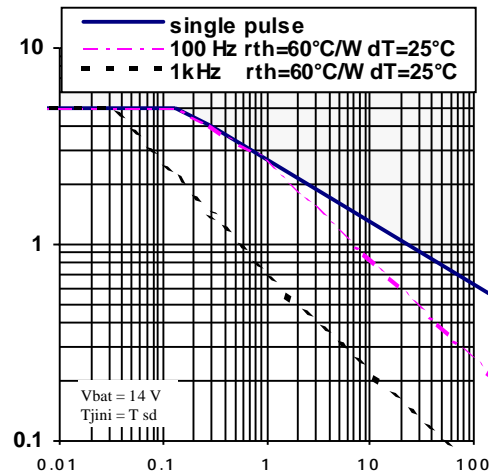


Figure 15b - Max. Iclamp (A) Vs Inductive Load
(mH) IPS021S

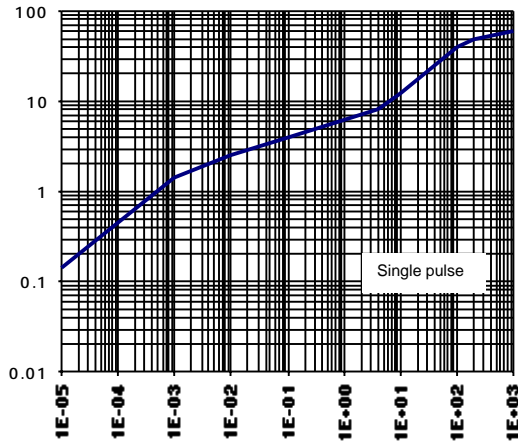


Figure 16 - Transient Thermal Imped. (°C/W)
Vs Time (s)

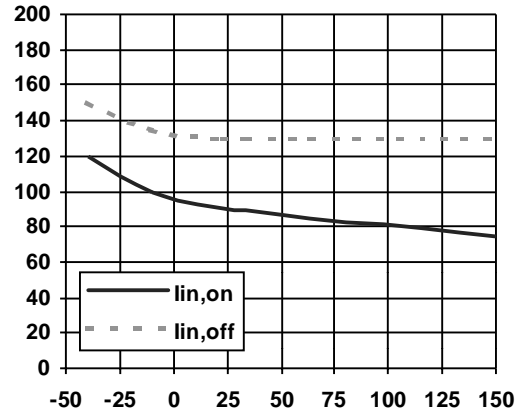


Figure 17 - Input Current (µA) Vs
Junction Temperature (°C)

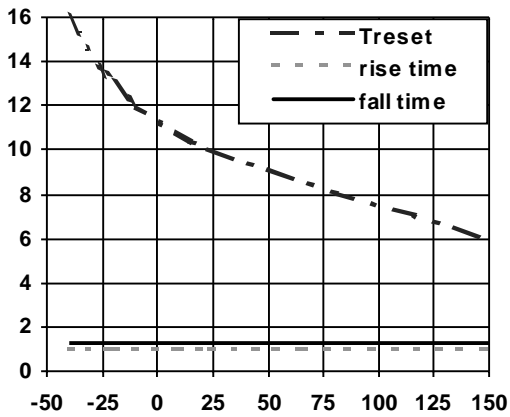


Figure 18 - Rise Time, Fall Time and Treset (µs)
Vs Tj (°C)

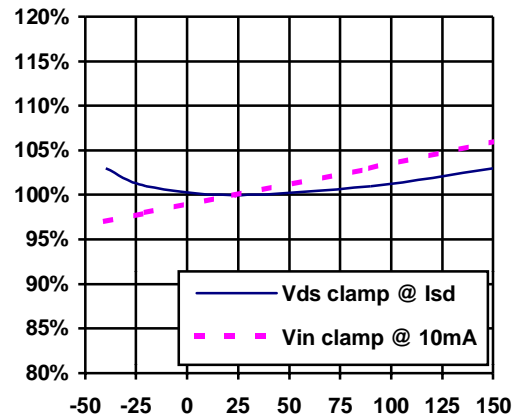
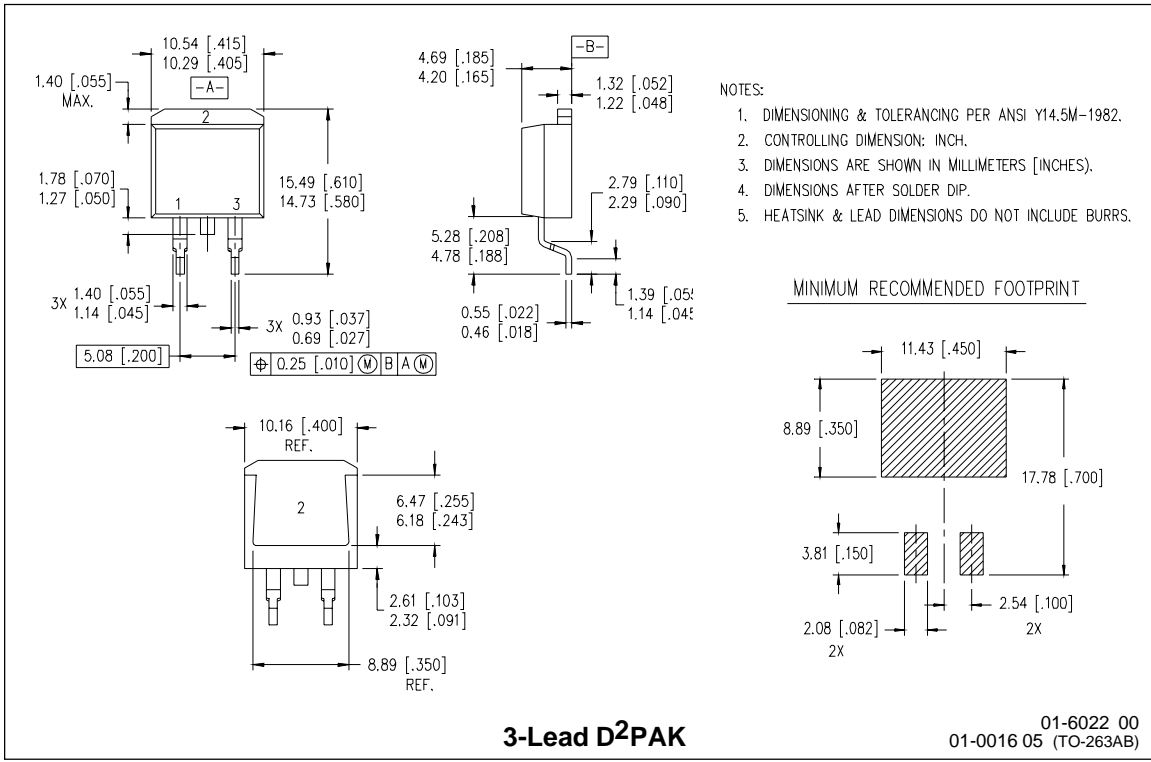
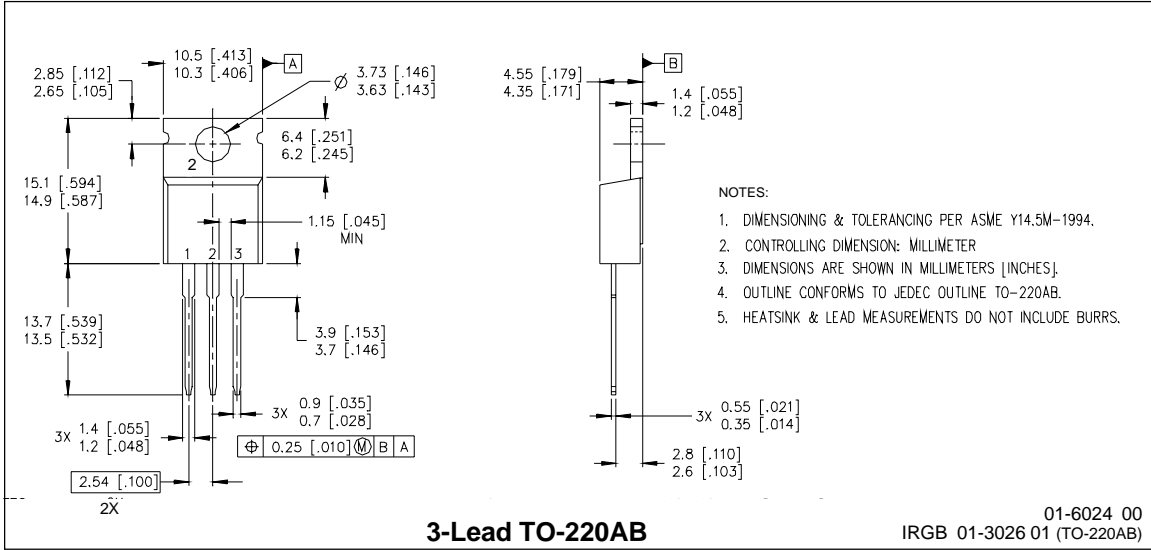
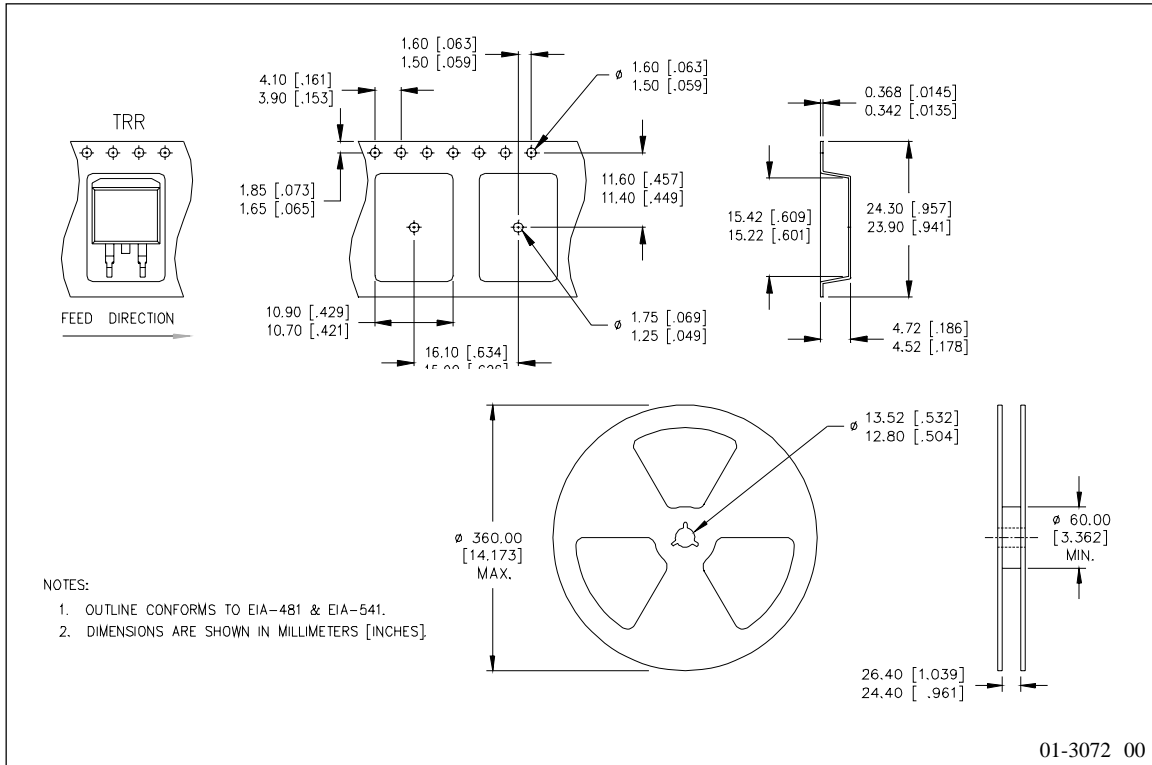


Figure 19 - Vin clamp and Vds clamp (%) Vs
Tj (°C)

Case Outline



Tape & Reel - D²PAK (SMD220)





LittleDiode supplies new, hard to find or obsolete electronic components and semiconductors all over the world.

With over two million different components listed you are sure to find the part you need.

Feel free to visit us today at our online store:

LittleDiode.com

Looking forward to providing you with the best possible service.