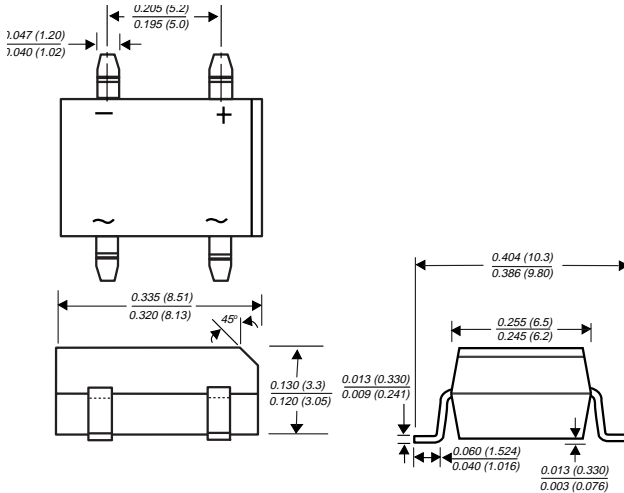


EDF1AS THRU EDF1DS

MINIATURE GLASS PASSIVATED FAST EFFICIENT SURFACE MOUNT BRIDGE RECTIFIER

Reverse Voltage - 50 to 200 Volts Forward Current - 1.0 Ampere

Case Style DFS



Dimensions in inches and (millimeters)

FEATURES

- ◆ Plastic package has Underwriters Laboratory Flammability Classification 94V-0
- ◆ This series is UL listed under Recognized Component Index, file number E54214
- ◆ Glass passivated chip junctions
- ◆ High surge overload rating- 50 amperes peak
- ◆ Ideal for printed circuit boards
- ◆ Superfast recovery times for high efficiency
- ◆ High temperature soldering guaranteed: 260°C/10 seconds at 5 lbs (2.3kg) tension



MECHANICAL DATA

Case: Molded plastic body over passivated junctions
Terminals: Plated leads solderable per MIL-STD-750, Method 2026
Polarity: Polarity symbols marked on body
Mounting Position: Any
Weight: 0.04 ounce, 1.0 gram

MAXIMUM RATINGS AND ELECTRICAL CHARACTERISTICS

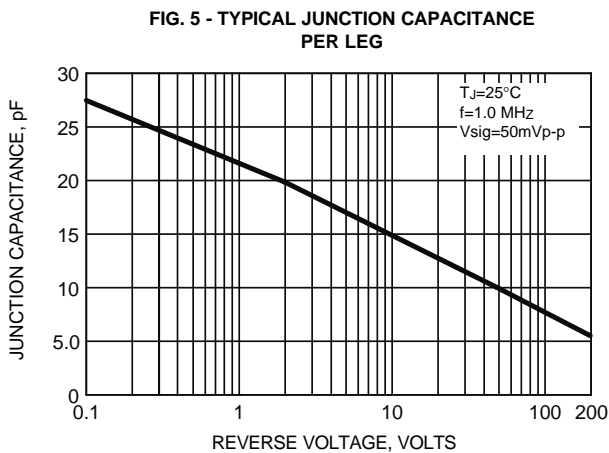
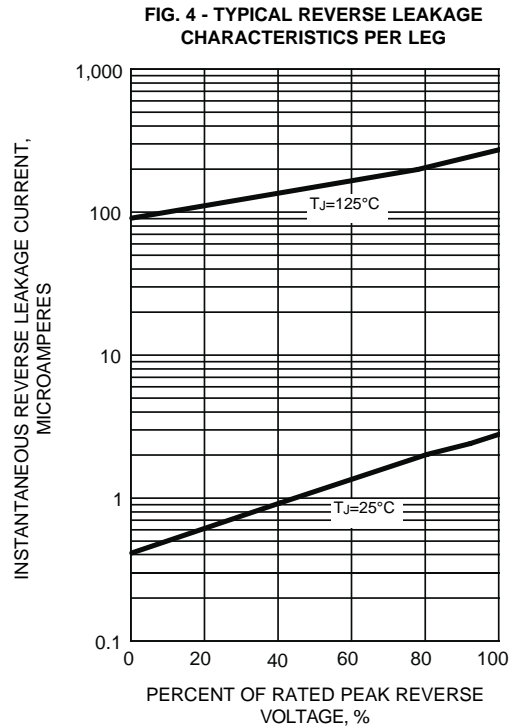
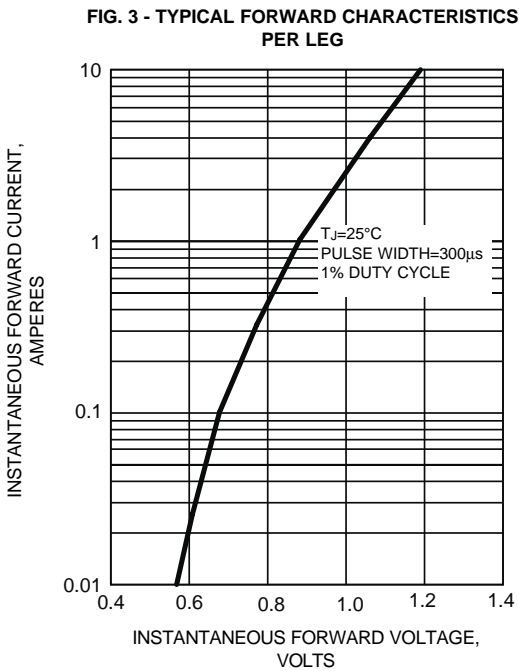
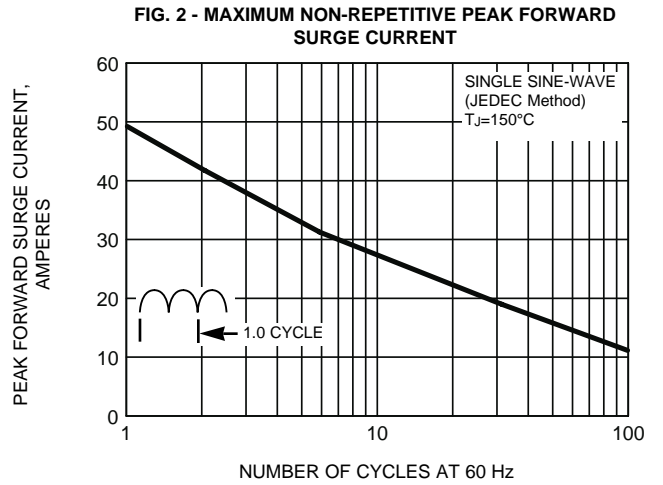
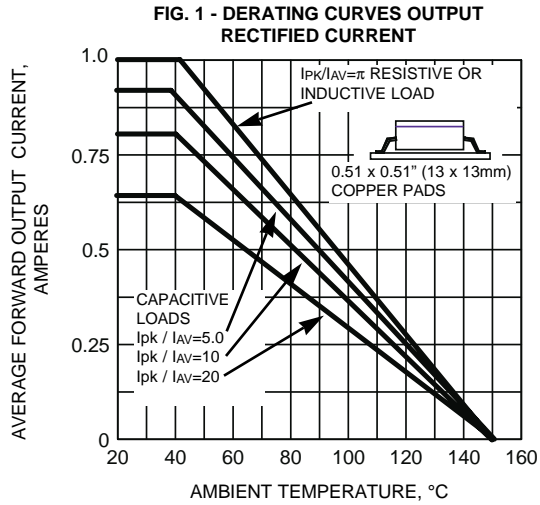
Ratings at 25°C ambient temperature unless otherwise specified.

	SYMBOLS	EDF1AS	EDF1BS	EDF1CS	EDF1DS	UNITS
Maximum repetitive peak reverse voltage	V_{RRM}	50	100	150	200	Volts
Maximum RMS voltage	V_{RMS}	35	70	106	140	Volts
Maximum DC blocking voltage	V_{DC}	50	100	150	200	Volts
Maximum average forward output rectified current at $T_A=40^\circ\text{C}$ (NOTE 2)	$I_{(AV)}$	1.0				Amp
Peak forward surge current single half sine-wave superimposed on rated load (JEDEC Method) $T_J=150^\circ\text{C}$	I_{FSM}	50.0				Amps
Rating for fusing ($t < 8.3\text{ms}$)	I^2t	10.0				A^2sec
Maximum instantaneous forward voltage drop per leg at 1.0A	V_F	1.05				Volts
Maximum DC reverse current at rated DC blocking voltage	I_R	5.0 1.0				μA mA
Maximum reverse recovery time (NOTE 1)	t_{rr}	50.0				ns
Typical thermal resistance per leg (NOTE 2)	$R_{\theta JA}$ $R_{\theta JL}$	38.0 12.0				$^\circ\text{C/W}$
Operating junction and storage temperature range	T_J, T_{STG}	-55 to +150				$^\circ\text{C}$

NOTES:

- (1) Reverse recovery test conditions: $I_F=0.5\text{A}$, $I_R=1.0\text{A}$, $I_{rr}=0.25\text{A}$
- (2) Units mounted on P.C.B. with 0.51 x 0.51" (13 x 13mm) copper pads

RATINGS AND CHARACTERISTICS CURVES EDF1AS THRU EDF1DS





LittleDiode supplies new, hard to find or obsolete electronic components and semiconductors all over the world.

With over two million different components listed you are sure to find the part you need.

Feel free to visit us today at our online store:

LittleDiode.com

Looking forward to providing you with the best possible service.