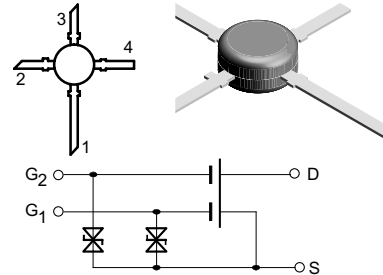




N-Channel Dual Gate MOS-Fieldeffect Tetrode, Depletion Mode

Features

- Integrated gate protection diodes
- High cross modulation performance
- Low noise figure
- High gain
- High AGC-range
- Low feedback capacitance
- Low input capacitance
- Lead (Pb)-free component
- Component in accordance to RoHS 2002/95/EC and WEEE 2002/96/EC



Electrostatic sensitive device.
Observe precautions for handling.

13625

Applications

Input- and mixer stages especially VHF- and UHF-tuners.

Mechanical Data

Case: TO-50 Plastic case

Weight: approx. 124 mg

Marking: BF988

Pinning:

1 = Drain, 2 = Source,
3 = Gate 1, 4 = Gate 2

Parts Table

Part	Ordering Ccode	Marking	Package
BF988	BF988A	BF988	TO50
BF988A	BF988A	BF988	TO50

Absolute Maximum Ratings

T_{amb} = 25 °C, unless otherwise specified

Parameter	Test condition	Symbol	Value	Unit
Drain - source voltage		V _{DS}	12	V
Drain current		I _D	30	mA
Gate 1/Gate 2 - source peak current		± I _{G1/G2SM}	10	mA
Total power dissipation	T _{amb} ≤ 60 °C	P _{tot}	200	mW
Channel temperature		T _{Ch}	150	°C
Storage temperature range		T _{stg}	- 55 to + 150	°C



Maximum Thermal Resistance

Parameter	Test condition	Symbol	Value	Unit
Channel ambient	1)	R_{thChA}	450	K/W

1) on glass fibre printed board (40 x 25 x 1.5) mm³ plated with 35 µm Cu

Electrical DC Characteristics

T_{amb} = 25 °C, unless otherwise specified

Parameter	Test condition	Part	Symbol	Min	Typ.	Max	Unit
Drain - source breakdown voltage	I _D = 10 µA, -V _{G1S} = -V _{G2S} = 4 V		V _{(BR)DS}	12			V
Gate 1 - source breakdown voltage	± I _{G1S} = 10 mA, V _{G2S} = V _{DS} = 0		± V _{(BR)G1SS}	7		14	V
Gate 2 - source breakdown voltage	± I _{G2S} = 10 mA, V _{G1S} = V _{DS} = 0		± V _{(BR)G2SS}	7		14	V
Gate 1 - source leakage current	± V _{G1S} = 5 V, V _{G2S} = V _{DS} = 0		± I _{G1SS}			50	nA
Gate 2 - source leakage current	± V _{G2S} = 5 V, V _{G1S} = V _{DS} = 0		± I _{G2SS}			50	nA
Drain current	V _{DS} = 15 V, V _{G1S} = 0, V _{G2S} = 4 V	BF988A	I _{DSS}	4		10.5	mA
Gate 1 - source cut-off voltage	V _{DS} = 15 V, V _{G2S} = 4 V, I _D = 20 µA		-V _{G1S(OFF)}			2.5	V
Gate 2 - source cut-off voltage	V _{DS} = 15 V, V _{G1S} = 0, I _D = 20 µA		-V _{G2S(OFF)}			2.0	V

Electrical AC Characteristics

T_{amb} = 25 °C, unless otherwise specified

V_{DS} = 8 V, I_D = 10 mA, V_{G2S} = 4 V, f = 1 MHz

Parameter	Test condition	Symbol	Min	Typ.	Max	Unit
Forward transadmittance		y _{21s}	21	24		mS
Gate 1 input capacitance		C _{issg1}		2.1	2.5	pF
Gate 2 input capacitance	V _{G1S} = 0, V _{G2S} = 4 V	C _{issg2}		1.2		pF
Feedback capacitance		C _{rss}		25		fF
Output capacitance		C _{oss}		1.05		pF
Power gain	G _S = 2 mS, G _L = 0.5 mS, f = 200 MHz	G _{ps}		28		dB
	G _S = 3,3 mS, G _L = 1 mS, f = 800 MHz	G _{ps}	16.5	20		dB
AGC range	V _{G2S} = 4 to -2 V, f = 800 MHz	ΔG _{ps}	40			dB
Noise figure	G _S = 2 mS, G _L = 0.5 mS, f = 200 MHz	F		1		dB
	G _S = 3,3 mS, G _L = 1 mS, f = 800 MHz	F		1.5		dB



Not for new design, this product will be obsoleted soon

BF988

Vishay Semiconductors

Common Emitter S-Parameters

$V_{DS} = 8\text{ V}$, $V_{G2S} = 4\text{ V}$, $Z_0 = 50\ \Omega$, $T_{amb} = 25\text{ }^\circ\text{C}$, unless otherwise specified

I_D /mA	f/MHz	S11		S21		S12		S22	
		LOG MAG	ANG	LOG MAG	ANG	LOG MAG	ANG	LOG MAG	ANG
			deg		deg		deg		deg
5	100	-0.02	-7.8	6.01	168.4	-56.27	83.0	-0.02	-3.6
	200	-0.10	-15.3	5.87	156.3	-50.61	76.6	-0.06	-7.3
	300	-0.31	-22.8	5.69	144.2	-47.70	70.9	-0.13	-10.6
	400	-0.56	-30.2	5.42	132.9	-46.19	65.6	-0.20	-14.2
	500	-0.87	-37.3	5.17	121.5	-45.46	60.6	-0.28	-17.5
	600	-1.26	-44.3	4.85	110.6	-45.84	55.4	-0.36	20.5
	700	-1.59	-50.9	4.54	100.4	-47.31	58.6	-0.43	-23.8
	800	-2.04	-58.0	4.25	90.2	-48.19	63.3	-0.49	-26.8
	900	-2.42	-64.4	4.02	80.6	-50.37	81.5	-0.52	-30.2
	1000	-2.88	-71.4	3.78	70.8	-49.48	115.6	-0.54	-33.4
	1100	-3.39	-78.3	3.42	60.5	47.92	131.7	-0.66	-36.8
	1200	-3.94	-85.2	3.21	51.6	-44.65	153.0	-0.66	-40.1
	1300	-4.46	-91.8	3.01	42.0	-41.76	159.8	-0.66	-43.9
10	100	-0.02	-8.3	7.84	168.5	-55.67	83.0	-0.04	-3.7
	200	-0.11	-16.1	7.70	156.6	-50.01	76.4	-0.09	-7.4
	300	-0.35	-24.0	7.49	144.8	-47.20	70.3	-0.16	-10.8
	400	-0.62	-31.6	7.21	133.6	-45.60	65.1	-0.23	-14.3
	500	-0.97	-39.2	6.93	122.5	-44.88	60.0	-0.31	17.9
	600	-1.39	-46.4	6.59	111.9	-45.25	54.5	-0.42	-20.9
	700	-1.76	-53.2	6.27	101.9	-46.51	57.4	-0.48	-24.1
	800	-2.25	-60.3	5.97	92.1	-47.19	61.4	-0.55	-27.3
	900	-2.67	-67.1	5.71	82.8	-49.28	76.0	-0.58	-30.6
	1000	-3.16	-74.1	5.46	73.3	-48.99	107.1	-0.60	-33.8
	1100	-3.72	-81.1	5.07	63.3	-48.03	123.3	-0.73	-37.2
	1200	-4.30	-88.0	4.85	54.6	-45.15	147.6	-0.73	-40.6
	1300	-4.87	-94.4	4.63	45.4	-42.46	157.6	-0.73	-44.3
15	100	-0.01	-8.4	8.62	168.6	-55.26	83.0	-0.07	-3.7
	200	-0.13	-16.4	8.46	156.8	-49.61	76.3	-0.12	-7.5
	3000	-0.37	-24.5	8.26	145.2	-46.70	70.3	-0.20	-11.0
	400	-0.66	-32.3	7.96	134.0	-45.10	64.9	-0.27	-14.4
	500	-1.02	-39.8	7.66	122.9	-44.38	59.7	-0.36	-18.0
	600	-1.47	-47.0	7.33	112.3	-44.65	54.3	-0.47	-20.9
	700	-1.85	-54.1	6.98	102.6	-45.72	57.0	-0.53	-24.2
	800	-2.36	-61.3	6.68	92.8	-46.29	60.0	-0.61	-27.4
	900	-2.80	-67.9	6.42	83.7	-48.18	71.9	-0.64	-30.6
	1000	-3.30	-75.0	6.15	74.3	-48.49	98.7	-0.66	-33.9
	1100	3.89	-82.0	5.75	64.6	-47.93	114.8	-0.77	-37.3
	1200	-4.49	-88.8	5.52	56.0	-45.75	141.2	-0.79	-40.8
	1300	-5.06	-95.2	5.30	46.9	-43.05	153.4	-0.79	-44.5

Typical Characteristics (T_{amb} = 25 °C unless otherwise specified)

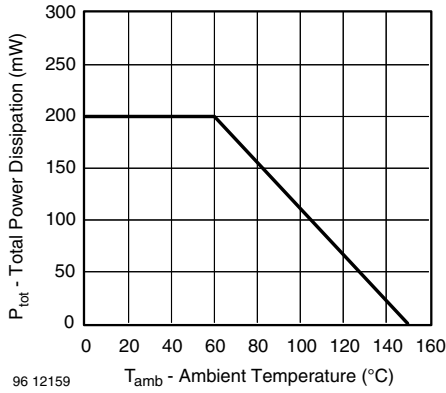


Figure 1. Total Power Dissipation vs. Ambient Temperature

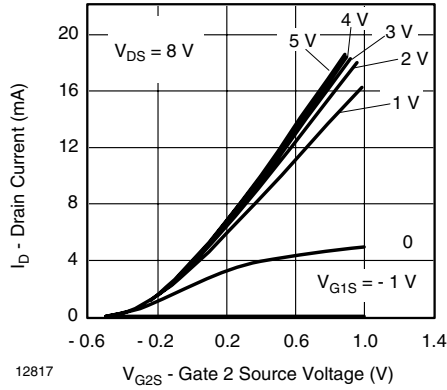


Figure 4. Drain Current vs. Gate 2 Source Voltage

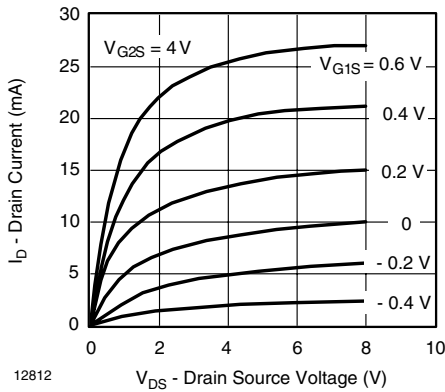


Figure 2. Drain Current vs. Drain Source Voltage

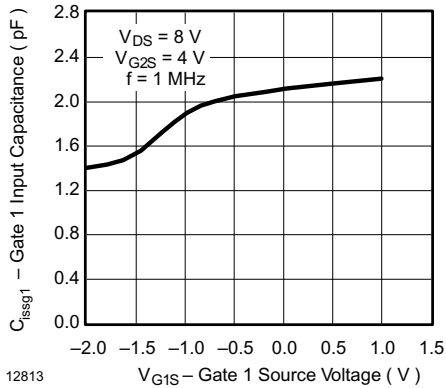


Figure 5. Gate 1 Input Capacitance vs. Gate 1 Source Voltage

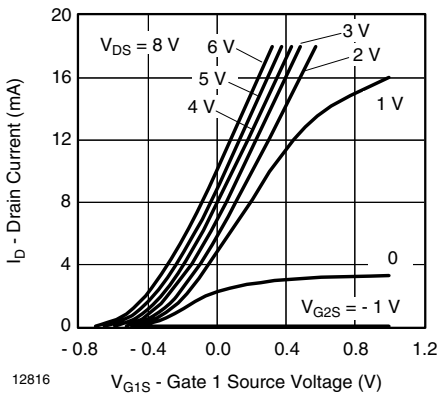


Figure 3. Drain Current vs. Gate 1 Source Voltage

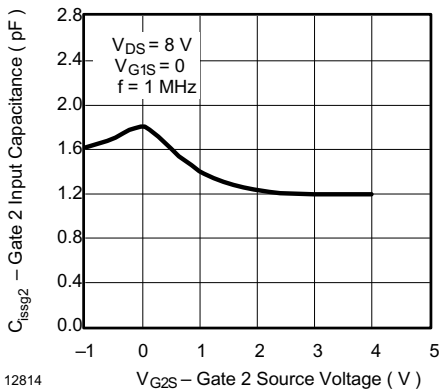


Figure 6. Gate 2 Input Capacitance vs. Gate 2 Source Voltage

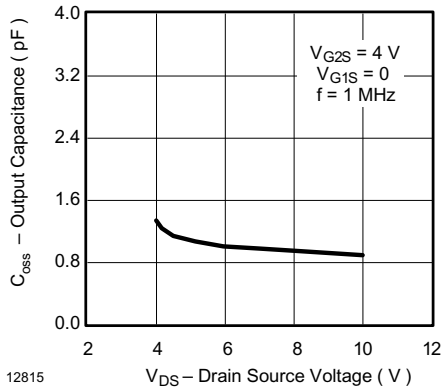


Figure 7. Output Capacitance vs. Drain Source Voltage

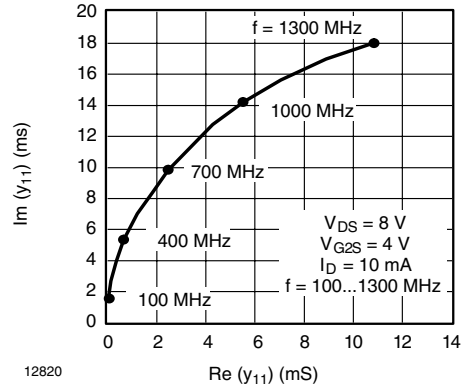


Figure 10. Short Circuit Input Admittance

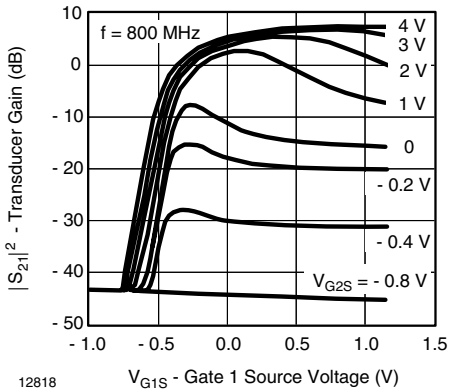


Figure 8. Transducer Gain vs. Gate 1 Source Voltage

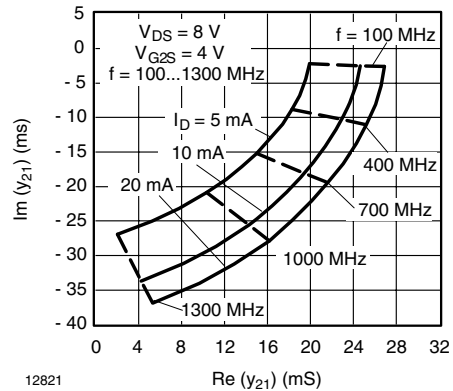


Figure 11. Short Circuit Forward Transfer Admittance

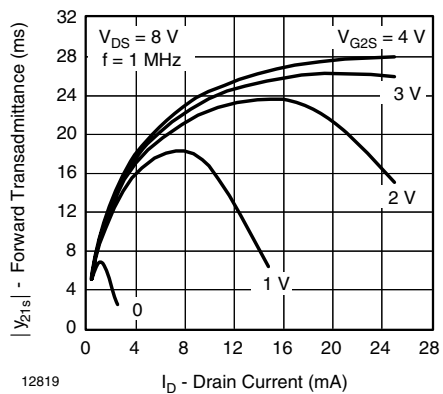


Figure 9. Forward Transadmittance vs. Drain Current

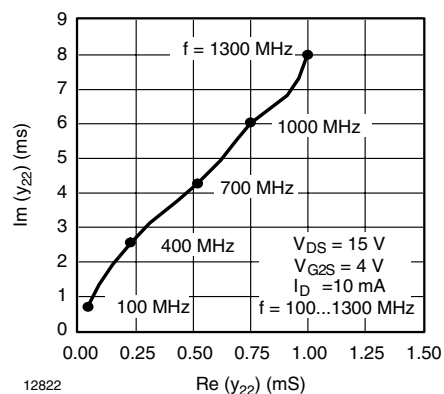


Figure 12. Short Circuit Output Admittance

$V_{DS} = 8\text{ V}$, $I_D = 10\text{ mA}$, $V_{G2S} = 4\text{ V}$, $Z_0 = 50\ \Omega$

S_{11}

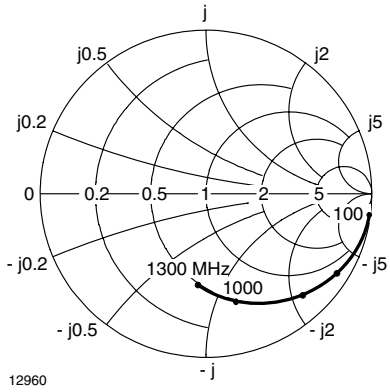


Figure 13. Input Reflection Coefficient

S_{21}

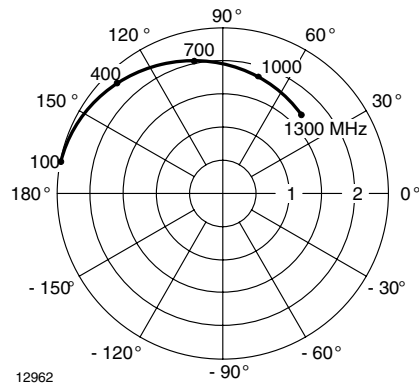


Figure 15. Forward Transmission Coefficient

S_{12}

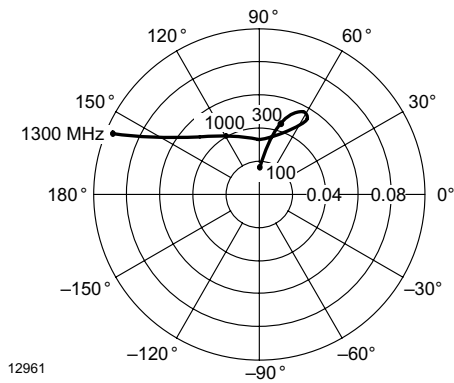


Figure 14. Reverse Transmission Coefficient

S_{22}

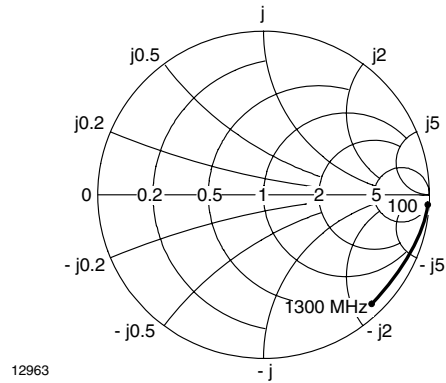


Figure 16. Output Reflection Coefficient

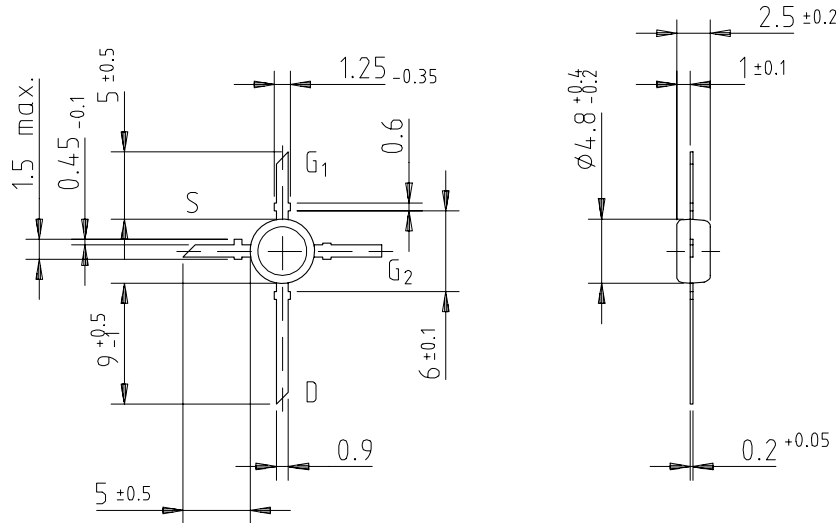


Not for new design, this product will be obsoleted soon

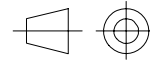
BF988

Vishay Semiconductors

Package Dimensions in mm



96 12242



technical drawings
according to DIN
specifications



Ozone Depleting Substances Policy Statement

It is the policy of Vishay Semiconductor GmbH to

1. Meet all present and future national and international statutory requirements.
2. Regularly and continuously improve the performance of our products, processes, distribution and operating systems with respect to their impact on the health and safety of our employees and the public, as well as their impact on the environment.

It is particular concern to control or eliminate releases of those substances into the atmosphere which are known as ozone depleting substances (ODSs).

The Montreal Protocol (1987) and its London Amendments (1990) intend to severely restrict the use of ODSs and forbid their use within the next ten years. Various national and international initiatives are pressing for an earlier ban on these substances.

Vishay Semiconductor GmbH has been able to use its policy of continuous improvements to eliminate the use of ODSs listed in the following documents.

1. Annex A, B and list of transitional substances of the Montreal Protocol and the London Amendments respectively
2. Class I and II ozone depleting substances in the Clean Air Act Amendments of 1990 by the Environmental Protection Agency (EPA) in the USA
3. Council Decision 88/540/EEC and 91/690/EEC Annex A, B and C (transitional substances) respectively.

Vishay Semiconductor GmbH can certify that our semiconductors are not manufactured with ozone depleting substances and do not contain such substances.

We reserve the right to make changes to improve technical design and may do so without further notice.

Parameters can vary in different applications. All operating parameters must be validated for each customer application by the customer. Should the buyer use Vishay Semiconductors products for any unintended or unauthorized application, the buyer shall indemnify Vishay Semiconductors against all claims, costs, damages, and expenses, arising out of, directly or indirectly, any claim of personal damage, injury or death associated with such unintended or unauthorized use.

Vishay Semiconductor GmbH, P.O.B. 3535, D-74025 Heilbronn, Germany



Disclaimer

All product specifications and data are subject to change without notice.

Vishay Intertechnology, Inc., its affiliates, agents, and employees, and all persons acting on its or their behalf (collectively, "Vishay"), disclaim any and all liability for any errors, inaccuracies or incompleteness contained herein or in any other disclosure relating to any product.

Vishay disclaims any and all liability arising out of the use or application of any product described herein or of any information provided herein to the maximum extent permitted by law. The product specifications do not expand or otherwise modify Vishay's terms and conditions of purchase, including but not limited to the warranty expressed therein, which apply to these products.

No license, express or implied, by estoppel or otherwise, to any intellectual property rights is granted by this document or by any conduct of Vishay.

The products shown herein are not designed for use in medical, life-saving, or life-sustaining applications unless otherwise expressly indicated. Customers using or selling Vishay products not expressly indicated for use in such applications do so entirely at their own risk and agree to fully indemnify Vishay for any damages arising or resulting from such use or sale. Please contact authorized Vishay personnel to obtain written terms and conditions regarding products designed for such applications.

Product names and markings noted herein may be trademarks of their respective owners.