

CentralTM Semiconductor Corp.

145 Adams Avenue, Hauppauge, NY 11788 USA
Tel: (631) 435-1110 • Fax: (631) 435-1824

Manufacturers of World Class Discrete Semiconductors

CR3-005 SERIES

GENERAL PURPOSE RECTIFIER
3.0 AMP, 50 THRU 1200 VOLTS

JEDEC DO-201AD CASE

FEATURES:

- o 3.0 Amps at 100°C
- o Compression Molded Epoxy
- o Superior Solvent Resistance
- o 300 Amp Surge Current
- o Reliable Internal Construction
- o Extensive Temperature Range

DESCRIPTION:

The CENTRAL SEMICONDUCTOR CR3-005 series axial lead epoxy silicon general purpose rectifiers are high quality, well-constructed, highly reliable components designed for use in all types of commercial, industrial, entertainment, computer, and automotive applications. Because of its superior electrical characteristics, this rectifier family is used as a universal replacement for many other rectifiers.

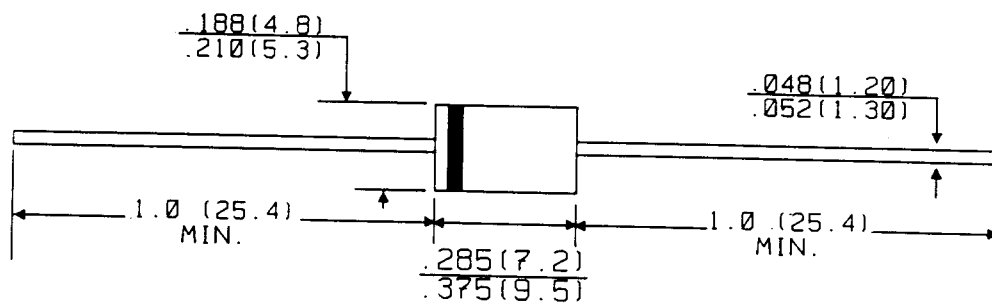
MAXIMUM RATINGS: ($T_A = 25^\circ\text{C}$)

	SYMBOL	CR3-005	CR3-010	CR3-020	CR3-040	CR3-060	CR3-080	CR3-100	CR3-120	UNITS
Peak Reverse Voltage	V_{RRM}	50	100	200	400	600	800	1000	1200	V
DC Blocking Voltage	V_R	50	100	200	400	600	800	1000	1200	V
RMS Voltage	V_{RMS}	35	75	140	280	420	560	700	840	V
Average Forward Current ($T_A = 100^\circ\text{C}$)	I_O					3.0				A
Peak Forward Surge Current (8.3ms single half sine-wave on rated load)	I_{FSM}					300				A
Operating and Storage Junction Temperature	T_J, T_{stg}					-65 to +175				$^\circ\text{C}$
Thermal Resistance	θ_{JA}					28 TYP.				$^\circ\text{C/W}$

ELECTRICAL CHARACTERISTICS: ($T_A = 25^\circ\text{C}$ unless otherwise noted)

SYMBOL	TEST CONDITIONS	MIN	TYP	MAX	UNITS
I_R	$V_R = \text{Rated } V_{RRM}$			10	μA
I_R	$V_R = \text{Rated } V_{RRM}, T_A = 100^\circ\text{C}$			100	μA
V_F	$I_F = 3.0\text{A}$			1.1	V
C_J	$V_R = 4.0\text{V}, f = 1\text{ MHz (CR3-005 TO CR3-040)}$		50		pF
C_J	$V_R = 4.0\text{V}, f = 1\text{ MHz (CR3-060 TO CR3-120)}$		25		pF

(over)



All Dimensions in inches(mm)

Central[™]
Semiconductor Corp.

145 Adams Avenue
 Hauppauge, NY 11788 USA
 Tel: (631) 435-1110 • Fax: (631) 435-1824
 www.centrasemi.com



LittleDiode supplies new, hard to find or obsolete electronic components and semiconductors all over the world.

With over two million different components listed you are sure to find the part you need.

Feel free to visit us today at our online store:

LittleDiode.com

Looking forward to providing you with the best possible service.