

SERIES 45L(R), 150K /L /KS(R)

STANDARD RECOVERY DIODES

Stud Version

Features

- Alloy diode
- High current carrying capability
- High voltage ratings up to 1000V
- High surge current capabilities
- Stud cathode and stud anode version

150A

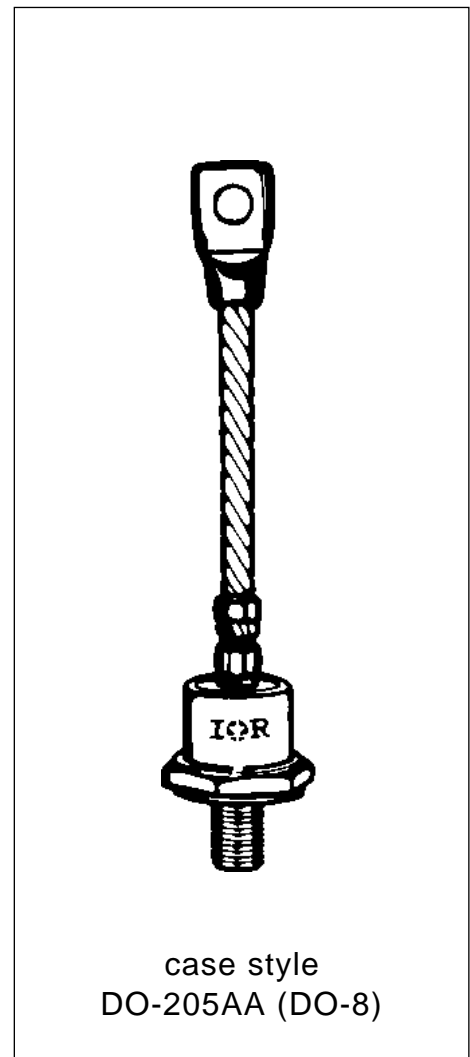
Typical Applications

- Converters
- Power supplies
- Machine tool controls
- High power drives
- Medium traction applications

Major Ratings and Characteristics

Parameters	45L /150...	Units
$I_{F(AV)}$	150	A
$@ T_C$	150	°C
$I_{F(RMS)}$	235	A
I_{FSM} @ 50Hz	3570	A
@ 60Hz	3740	A
I^2t @ 50Hz	64	KA ² s
@ 60Hz	58	KA ² s
V_{RRM} range *	50 to 1000	V
T_J	- 40 to 200	°C

* 45L available from 100V to 1000V



ELECTRICAL SPECIFICATIONS**Voltage Ratings**

Type number**	Voltage Code	V_{RRM} , maximum repetitive peak reverse voltage V	V_{RSM} , maximum non-repetitive peak rev. voltage V	I_{RRM} max. @ $T_J = 175^\circ\text{C}$ mA
45L(R) * 150K(R) 150L(R) 150KS(R)	5	50	100	35
	10	100	200	35
	20	200	300	35
	30	300	400	35
	40	400	500	35
	60	600	720	35
	80	800	960	32
	100	1000	1200	24

* 45L 50V and 300V V_{RRM} classes are not available.

**Also available as JEDEC series 1N3288A through 1N3296A (DO-8 case style) and 1N3111 through 1N3092 (DO-30 case style)

Forward Conduction

Parameter	45L/150...	Units	Conditions
$I_{F(AV)}$ Max. average forward current @ Case temperature	150	A	180° conduction, half sine wave
	150	°C	
$I_{F(RMS)}$ Max. RMS forward current	235	A	DC @ 142°C case temperature
I_{FSM} Max. peak, one-cycle forward, non-repetitive surge current	3570	A	t = 10ms No voltage
	3740		t = 8.3ms reapplied
	3000		t = 10ms 100% V_{RRM}
	3140		t = 8.3ms reapplied
I^2t Maximum I^2t for fusing	64	KA ² s	t = 10ms No voltage
	58		t = 8.3ms reapplied
	45		t = 10ms 100% V_{RRM}
	41		t = 8.3ms reapplied
$I^2\sqrt{t}$ Maximum $I^2\sqrt{t}$ for fusing	640	KA ² /s	t = 0.1 to 10ms, no voltage reapplied
$V_{F(TO)1}$ Low level value of threshold voltage	0.67	V	(16.7% $\times \pi \times I_{F(AV)} < I < \pi \times I_{F(AV)}$), $T_J = T_J$ max.
$V_{F(TO)2}$ High level value of threshold voltage	0.83		($I > \pi \times I_{F(AV)}$), $T_J = T_J$ max.
r_{f1} Low level value of forward slope resistance	1.42	mΩ	(16.7% $\times \pi \times I_{F(AV)} < I < \pi \times I_{F(AV)}$), $T_J = T_J$ max.
r_{f2} High level value of forward slope resistance	0.91		($I > \pi \times I_{F(AV)}$), $T_J = T_J$ max.
V_{FM} Max. forward voltage drop	1.33	V	$I_{pk} = 471\text{A}$, $T_J = 25^\circ\text{C}$, $t_p = 10\text{ms}$ sinusoidal wave

Thermal and Mechanical Specifications

Parameter	45L/150...	Units	Conditions		
T _J Max. junction operating temperature	-40 to 200	°C			
T _{stg} Max. storage temperature range	-40 to 200				
R _{thJC} Max. thermal resistance, junction to case	0.25	K/W	DC operation		
R _{thCS} Max. thermal resistance, case to heatsink	0.10		Mounting surface, smooth, flat and greased		
T Mounting torque	45L	Min.	14.1 (125)	Nm (lbf-in)	Not lubricated threads
		Max.	17.0 (150)		
	150L	Min.	12.2 (108)	Nm (lbf-in)	Lubricated threads
		Max.	15.0 (132)		
	150K	Min.	11.3 (100)	Nm (lbf-in)	Not lubricated threads
		Max.	14.1 (125)		
	150KS	Min.	9.5 (85)	Nm (lbf-in)	Lubricated threads
		Max.	12.5 (110)		
wt Approximate weight	100 (3.5)	g (oz)			
Case style	150K-A	DO205AA (DO-8)		See Outline Table	
	150KS	B-42			
	150L-A/45L	DO-205AC (DO-30)			

ΔR_{thJC} Conduction

(The following table shows the increment of thermal resistance R_{thJC} when devices operate at different conduction angles than DC)

Conduction angle	Sinusoidal conduction	Rectangular conduction	Units	Conditions
180°	0.031	0.023	K/W	T _J = T _J max.
120°	0.038	0.040		
90°	0.048	0.053		
60°	0.071	0.075		
30°	0.120	0.121		

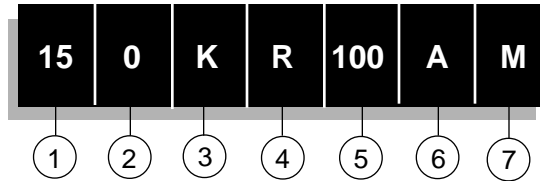
Ordering Information Table

Device Code

45	L	F	R	100
①	②	③	④	⑤

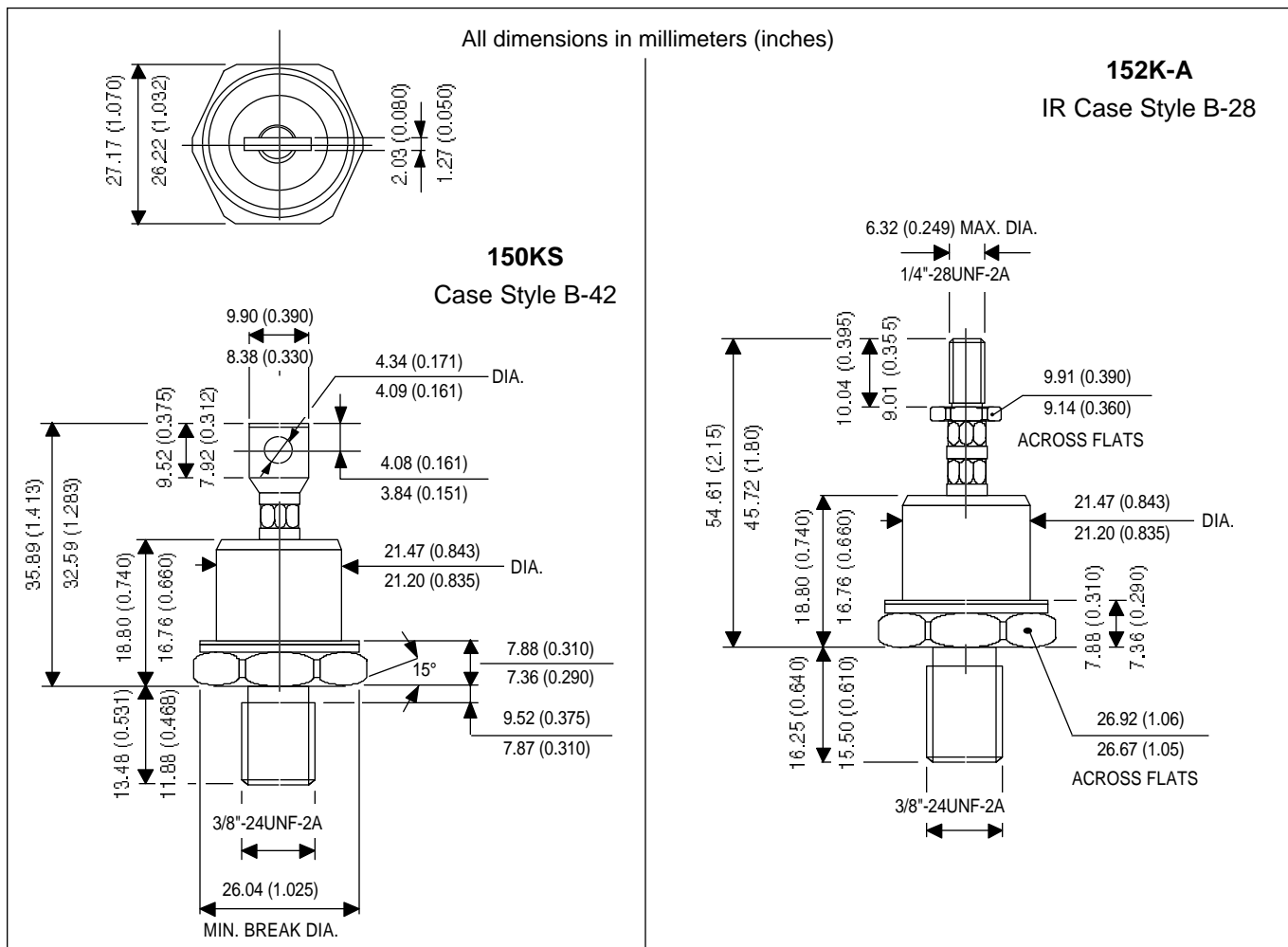
- 1** - 45 = Standard version
47 = Version with Pinch Bolt (only flat base; available on request)
- 2** - L = Essential Part Number
- 3** - F = Flat Base
None = Normal Stud 1/2" - 20UNF -2A
- 4** - R = Stud Reverse Polarity (Anode to Stud)
None = Stud Normal Polarity (Cathode to Stud)
- 5** - Voltage code: Code x 10 = V_{RRM} (See Voltage Ratings table)
NOTE: For longer lead Contact Factory

Device Code

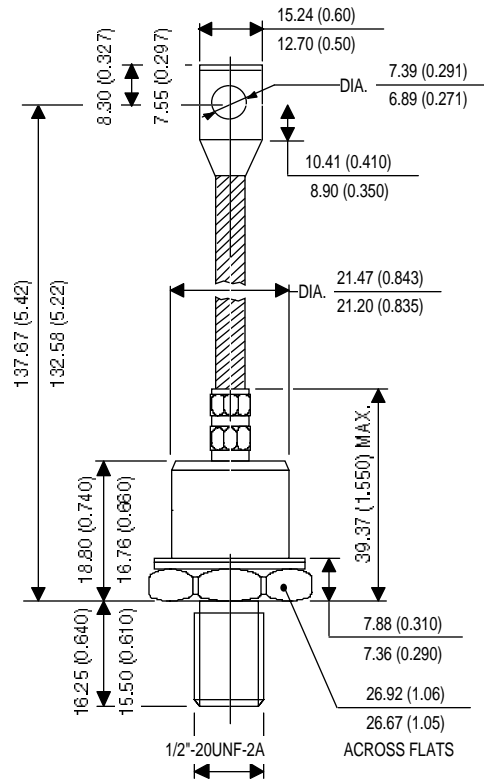


- 1** - Average Forward Current: Code x 10 = I_{FAV}
- 2** - 0 = Standard Case
2 = Stud Topped Case (152K-A only)
- 3** - Case Style
K = DO205AA (DO-8)
KS = B-42
L = DO205AC (DO-30)
- 4** - R = Stud Reverse Polarity (Anode to Stud)
None = Stud Normal Polarity (Cathode to Stud)
- 5** - Voltage code: Code x 10 = V_{RRM} (See Voltage Ratings table)
- 6** - A = Essential Part Number for 150K and 150L (Omitted for 150KS)
- 7** - None = Standard Base
M = Metric Base M12 x 1.5

NOTE: For longer lead Contact Factory

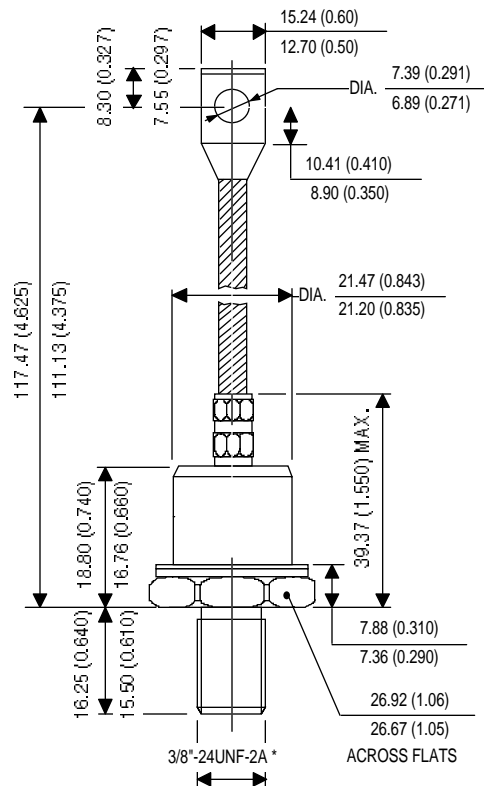


Outline Table



45L
Case Style

All dimensions in millimeters (inches)



150K
Case Style

* FOR METRIC DEVICE M12 X 1.5

Outline Table

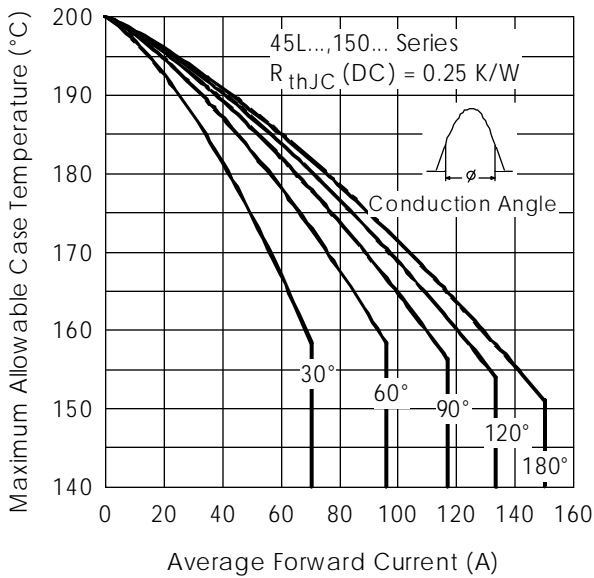
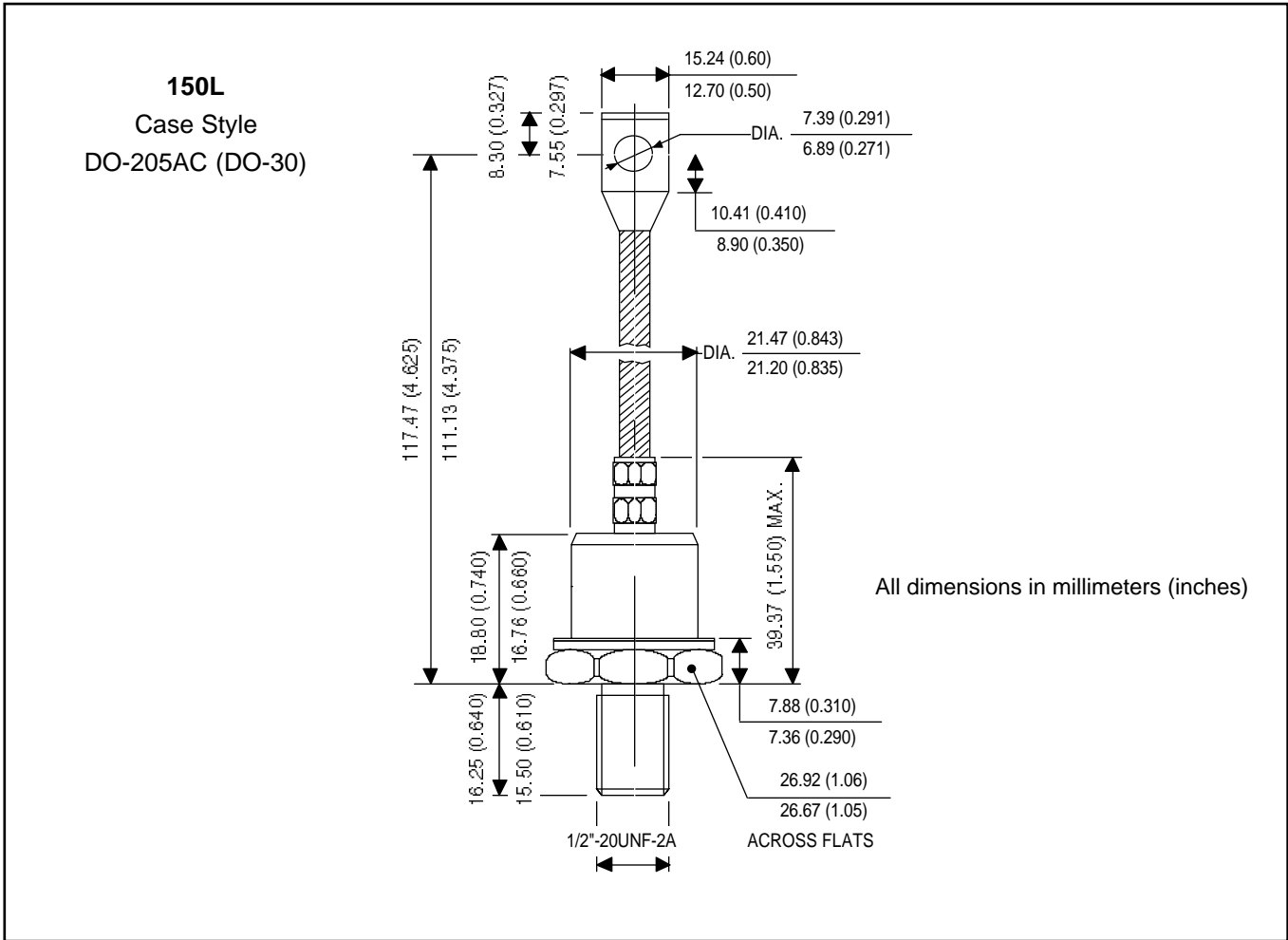


Fig. 1 - Current Ratings Characteristics

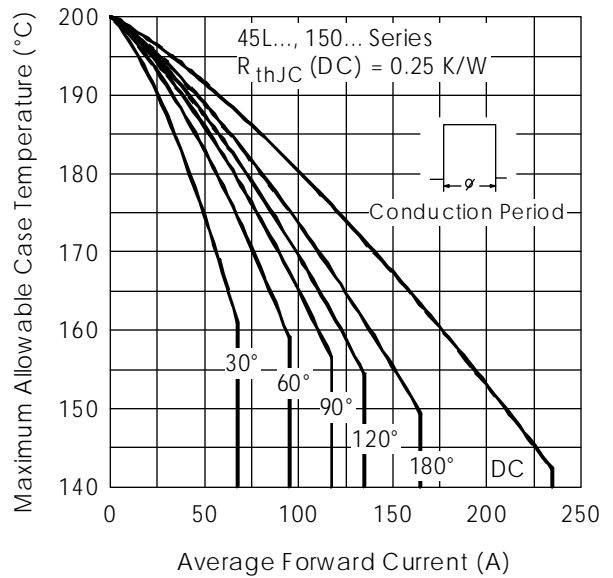


Fig. 2 - Current Ratings Characteristics

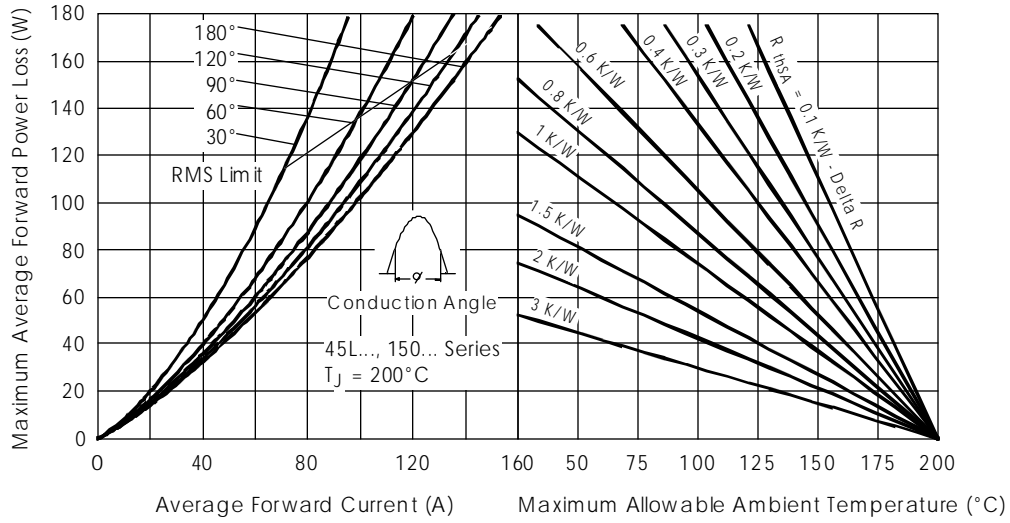


Fig. 3 - Forward Power Loss Characteristics

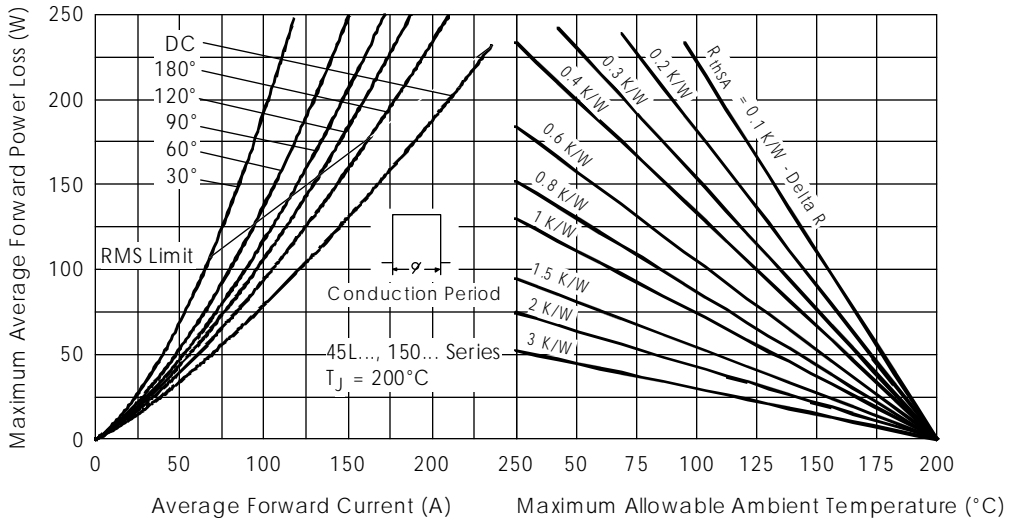


Fig. 4 - Forward Power Loss Characteristics

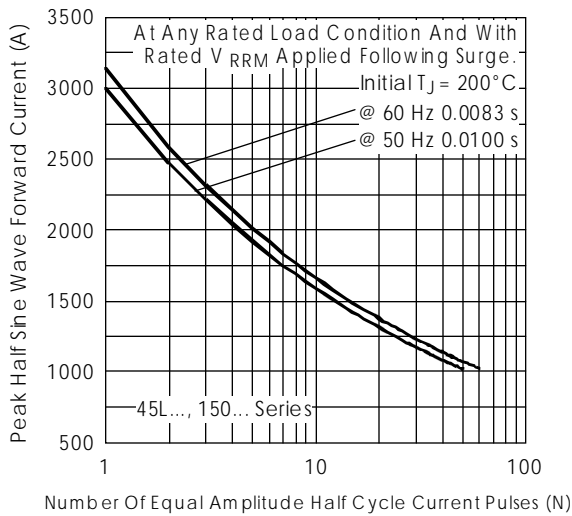


Fig. 5 - Maximum Non-Repetitive Surge Current

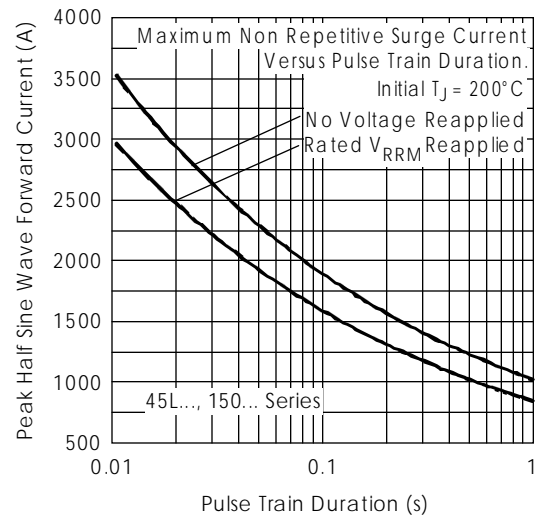


Fig. 6 - Maximum Non-Repetitive Surge Current

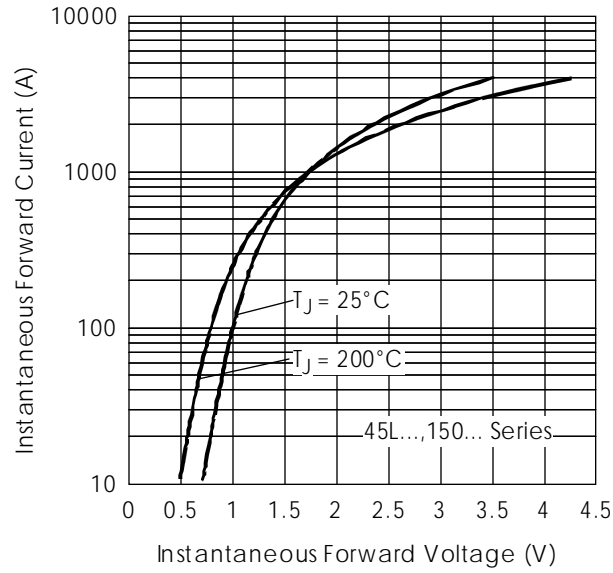


Fig. 7 - Forward Voltage Drop Characteristics

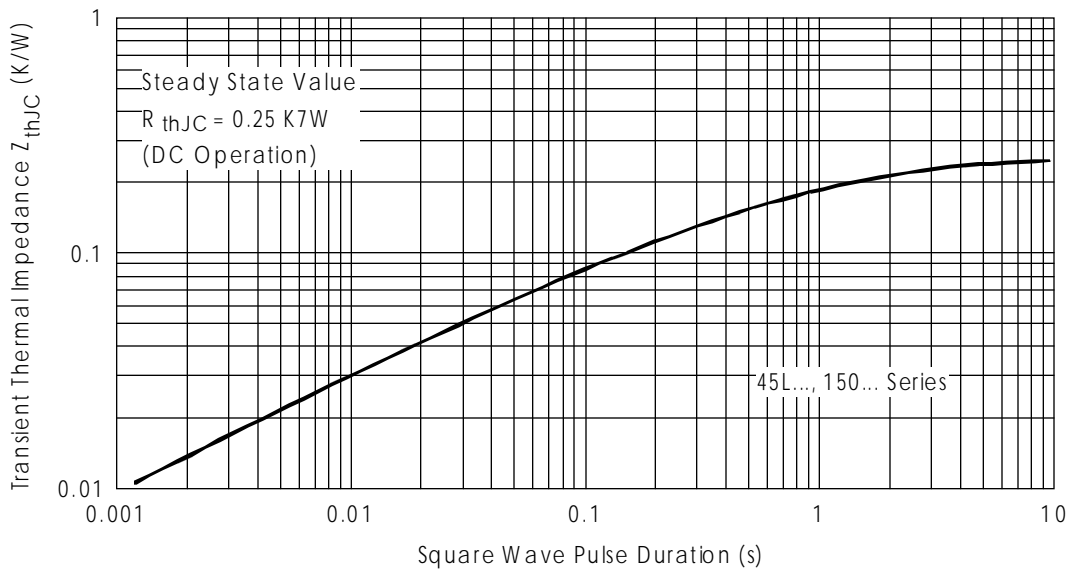


Fig. 8 - Thermal Impedance Z_{thJC} Characteristic



LittleDiode supplies new, hard to find or obsolete electronic components and semiconductors all over the world.

With over two million different components listed you are sure to find the part you need.

Feel free to visit us today at our online store:

LittleDiode.com

Looking forward to providing you with the best possible service.