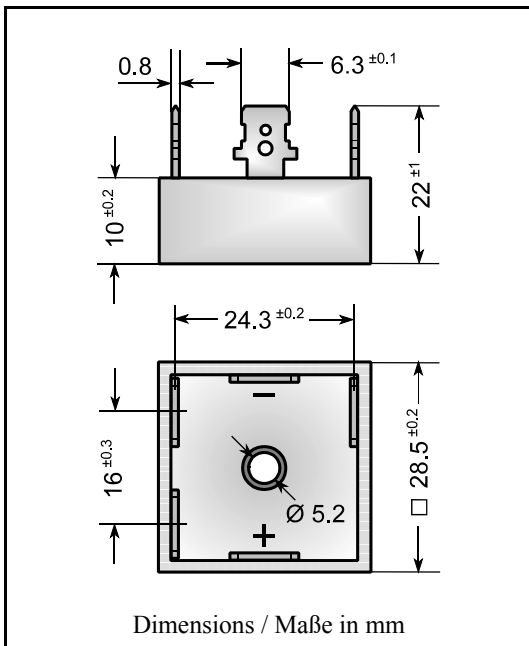


Three-Phase Si-Bridge Rectifiers

Dreiphasen-Si-Brückengleichrichter



Nominal current 35 A
 Nennstrom

Repetitive peak reverse voltage 50...1600 V
 Periodische Spitzensperrspannung

Plastic case with alu-bottom
 Kunststoffgehäuse mit Alu-Boden

Dimensions 28.5 x 28.5 x 10 [mm]
 Abmessungen

Weight approx. – Gewicht ca. 21 g

Compound has classification UL94V-0
 Vergußmasse UL94V-0 klassifiziert

Standard packaging: bulk see page 22
 Standard Lieferform: lose im Karton s. Seite 22

Maximum ratings

Grenzwerte

Type Typ	max. alternating input voltage max. Eingangswchselspannung V_{VRMS} [V]	Repetitive peak reverse voltage Periodische Spitzensperrspannung V_{RRM} [V] ¹⁾
DB 35-005	35	50
DB 35-01	70	100
DB 35-02	140	200
DB 35-04	280	400
DB 35-06	420	600
DB 35-08	560	800
DB 35-10	700	1000
DB 35-12	800	1200
DB 35-14	900	1400
DB 35-16	1000	1600

Repetitive peak forward current $f > 15$ Hz I_{FRM} 120 A ²⁾
 Periodischer Spitzenstrom

Peak forward surge current, 50 Hz half sine-wave $T_A = 25^\circ\text{C}$ I_{FSM} 450 A
 Stoßstrom für eine 50 Hz Sinus-Halbwellen

¹⁾ Valid for one branch – Gültig für einen Brückenweig

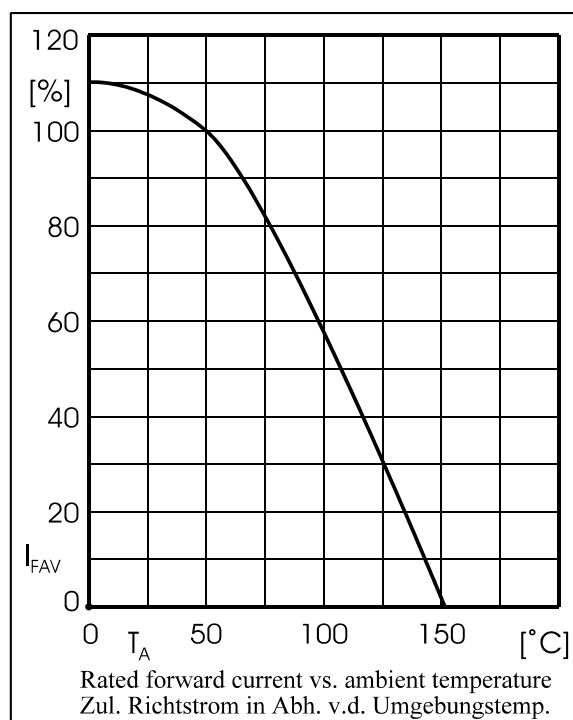
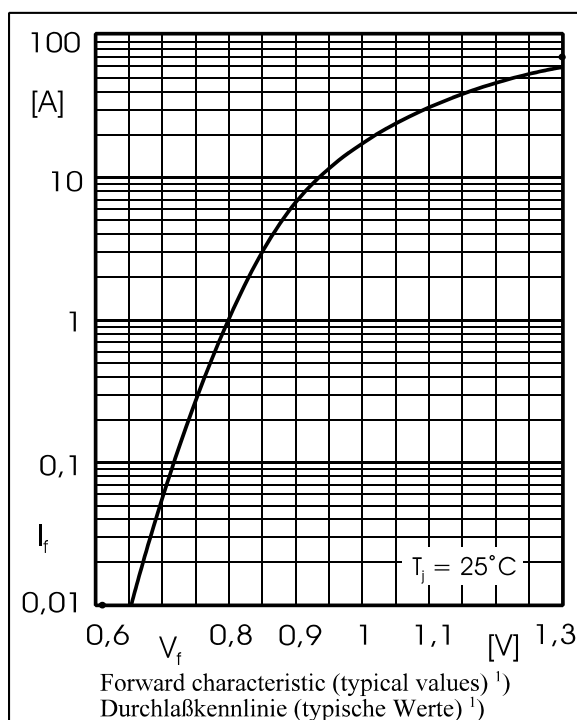
²⁾ Max. case temperature $T_C = 120^\circ\text{C}$ – Max. Gehäusetemperatur $T_C = 120^\circ\text{C}$

Rating for fusing, $t < 10$ ms Grenzlastintegral, $t < 10$ ms	$T_A = 25^\circ\text{C}$	i^2t	1000 A ² s
Operating junction temperature – Sperrschichttemperatur		T_j	- 50...+150 °C
Storage temperature – Lagerungstemperatur		T_s	- 50...+150 °C

Characteristics

Kennwerte

Max. current with cooling fin 300 cm ² Dauergrenzstrom mit Kühlblech 300 cm ²	$T_A = 50^\circ\text{C}$	R-load C-load	I_{FAV} I_{FAV}	35.0 A 35.0 A
Forward voltage – Durchlaßspannung	$T_j = 25^\circ\text{C}$	$I_F = 17.5$ A	V_F	< 1.05 V ¹⁾
Leakage current – Sperrstrom	$T_j = 25^\circ\text{C}$	$V_R = V_{RRM}$	I_R	< 10 µA
Isolation voltage terminals to case Isolationsspannung Anschlüsse zum Gehäuse			V_{ISO}	> 2500 V
Thermal resistance junction to case Wärmewiderstand Sperrschicht – Gehäuse			R_{thC}	< 1.8 K/W
Admissible torque for mounting Zulässiges Anzugsdrehmoment		10-32 UNF M 5		18 ± 10% lb.in 2 ± 10% Nm



¹⁾ Valid for one branch – Gültig für einen Brückenweig
28.02.2002

This datasheet has been downloaded from:

www.DatasheetCatalog.com

Datasheets for electronic components.



LittleDiode supplies new, hard to find or obsolete electronic components and semiconductors all over the world.

With over two million different components listed you are sure to find the part you need.

Feel free to visit us today at our online store:

LittleDiode.com

Looking forward to providing you with the best possible service.