

SCHOTTKY RECTIFIER

1.5 Amp

Major Ratings and Characteristics

Characteristics	15MQ040	Units
$I_{F(AV)}$ @ 180° Rectangular	1.7	A
	@ 180° Sinusoidal	1.5
V_{RWM}	40	V
I_{FSM} @ 50Hz	60	A
V_F @ 60Hz	64	V
T_J range	-40 to 125	°C

Description/Features

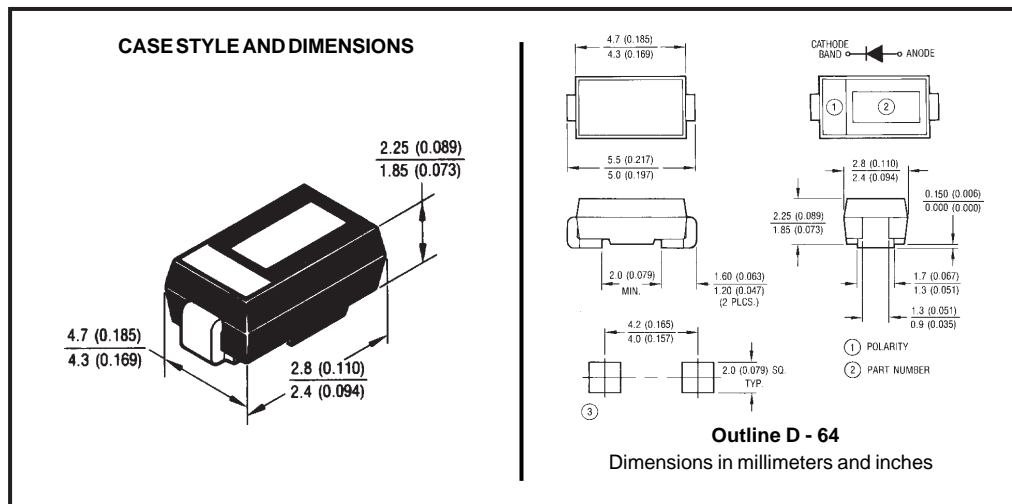
The 15MQ040 is a 1.5A Schottky rectifier and is designed to be used for low-power applications where a reverse voltage of 40 volts is encountered and surface mounting is required.

Applications

- Switching power supplies
- Meter protection
- Reverse protection for power input to PC board circuits
- Battery isolation and charging
- Low threshold voltage diode
- Free-wheeling or by-pass diode
- Low voltage clamp

Features

- Surface mountable
- Extremely low forward voltage
- Improved reverse blocking voltage capability relative to other Schottkys of similar size
- Compact size



Voltage Ratings

Part number	15MQ040
V_R Max. DC Reverse Voltage (V)	40
V_{RWM} Max. Working Peak Reverse Voltage (V)	

Electrical Specifications

Parameters	15MQ	Units	Conditions
$I_{F(AV)}$ Max. Average Output Current	1.7	A	180° conduction, rectangular waveform
	1.5	A	180° conduction, sinusoidal waveform
I_{FSM} Max. Peak One Cycle Non-Repetitive Surge Current	60	A	50Hz half cycle sine wave or 6ms rectangular pulse
	64	A	60Hz half cycle sine wave or 5ms rectangular pulse
V_{FM} Max. Peak Forward Voltage	0.55	V	$T_J = 25^\circ\text{C}$ at rated $I_{F(AV)}$
I_R Max. dc Reverse Current	5.0	mA	$T_J = 25^\circ\text{C}$ $V_R = \text{rated } V_R$
I_{RM} Max. Peak Reverse Current	50	mA	$T_C = 125^\circ\text{C}$ $V_R = \text{rated } V_R$
C_T Typical Junction Capacitance	70	pF	$T_C = 25^\circ\text{C}$ $V_R = 10V_{DC}$ 1Mhz test signal

Thermal-Mechanical Specifications

Parameters	15MQ	Units	Conditions
T_J Max. Operating Junction Temperature	-40 to 125	°C	
T_{stg} Max. Storage Temperature Range	-40 to 125	°C	
R_{thJA} Max. Thermal Resistance Junction to Ambient	150	°C/W	
wt Approximate Weight	0.07(0.026)	g(oz.)	
Case Style	D-64		



LittleDiode supplies new, hard to find or obsolete electronic components and semiconductors all over the world.

With over two million different components listed you are sure to find the part you need.

Feel free to visit us today at our online store:

LittleDiode.com

Looking forward to providing you with the best possible service.