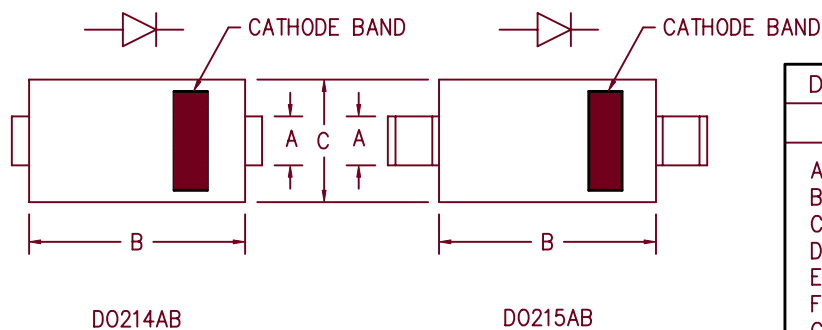
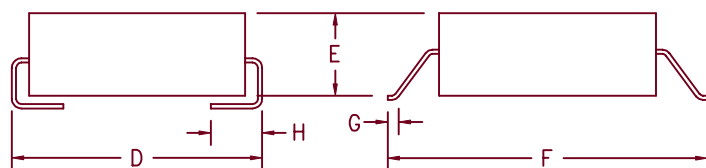


8 Amp Schottky Rectifier HSM825 — HSM845



Dim.	Inches		Millimeter		Notes
	Minimum	Maximum	Minimum	Maximum	
A	.117	.123	2.97	3.12	
B	.260	.280	6.60	7.11	
C	.220	.245	5.59	6.22	
D	.307	.322	7.80	8.18	
E	.075	.095	1.91	2.41	
F	.380	.400	9.65	10.16	
G	.025	.040	.640	1.02	
H	.030	.060	.760	1.52	



Microsemi Catalog Number	Industry Part Number	Working Peak Reverse Voltage	Repetitive Peak Reverse Voltage
HSM825*	SK82L	25V	25V
HSM830*	SL83L	30V	30V
HSM835*	SK835L	35V	35V
HSM840*	SK84L	40V	40V
HSM845*	SK845L	45V	45V

*Add Suffix J For J Lead or G For Gull Wing Lead Configuration

- Schottky Barrier Rectifier
- Guard Ring Protection
- 175°C Junction Temperature
- High Current Capability
- V_{RRM} 25 to 45 Volts
- Surface mount package

Electrical Characteristics		
Average forward current	I _{F(AV)} 8.0 Amps	Square wave
Maximum surge current	I _{F(AV)} 350 Amps	8.3ms, half sine, T _J = 175°C
Max peak forward voltage	V _{FM} .47 Volts	I _{FM} = 8.0A; T _J = 150°C *
Max peak forward voltage	V _{FM} .62 Volts	I _{FM} = 8.0A; T _J = 25°C *
Max peak reverse current	I _{RM} 250 μA	V _{RRM} , T _J = 25°C
Typical junction capacitance	C _J 660pF	V _R = 5.0V, T _J = 25°C

* Pulse test: Pulse width 300 μsec, Duty cycle 2%

Thermal and Mechanical Characteristics		
Storage temperature range	T _{STG}	-55°C to 175°C
Operating junction temp range	T _J	-55°C to 175°C
Maximum thermal resistance	R _{ΘJL}	20°C/W Junction to lead
Weight		.008 ounces (.22 grams) typical

1-10-02 Rev. 2

HSM825 — HSM845

Figure 1
Typical Forward Characteristic

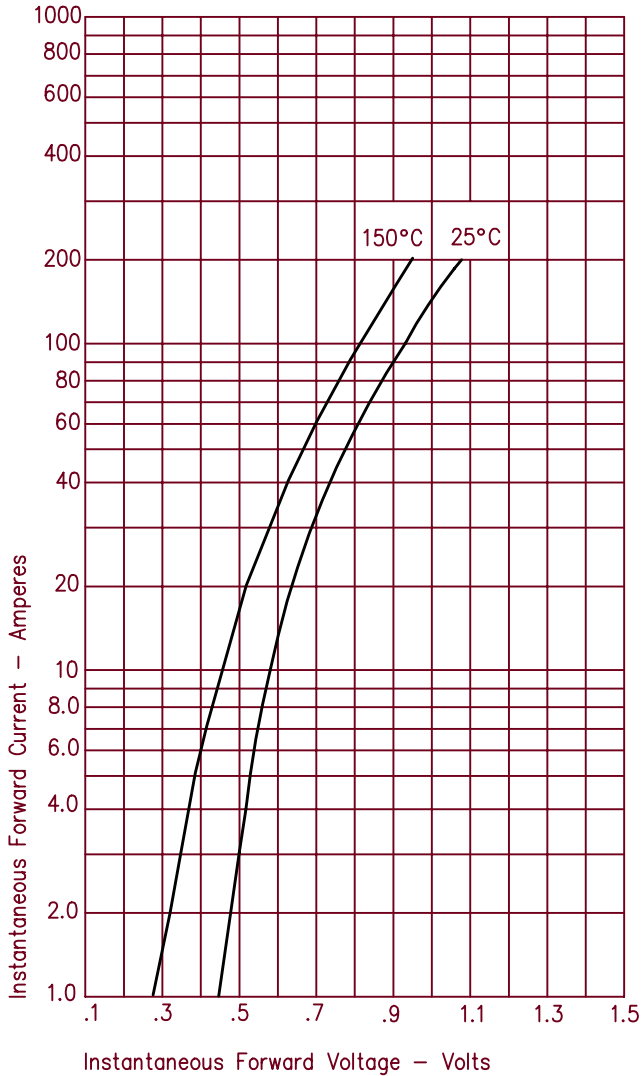


Figure 3
Typical Junction Capacitance

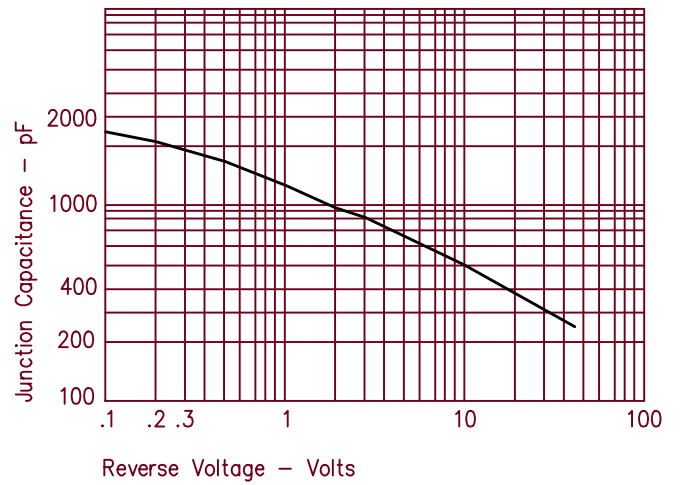
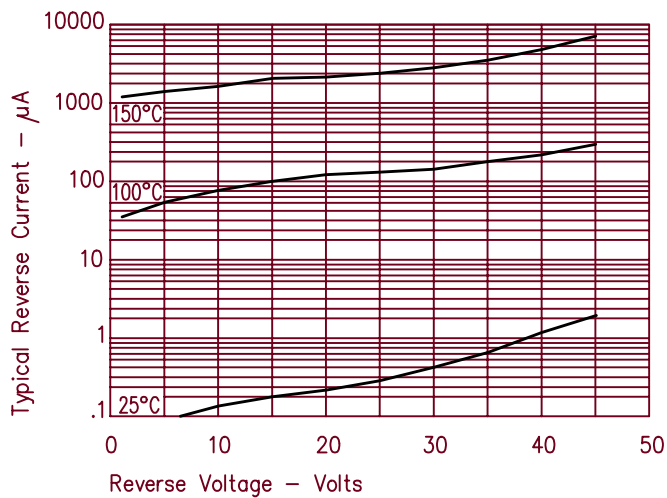


Figure 2
Typical Reverse Characteristics





LittleDiode supplies new, hard to find or obsolete electronic components and semiconductors all over the world.

With over two million different components listed you are sure to find the part you need.

Feel free to visit us today at our online store:

LittleDiode.com

Looking forward to providing you with the best possible service.