

SCHOTTKY RECTIFIER
HIGH EFFICIENCY SERIES

22GQ100

30A, 100V

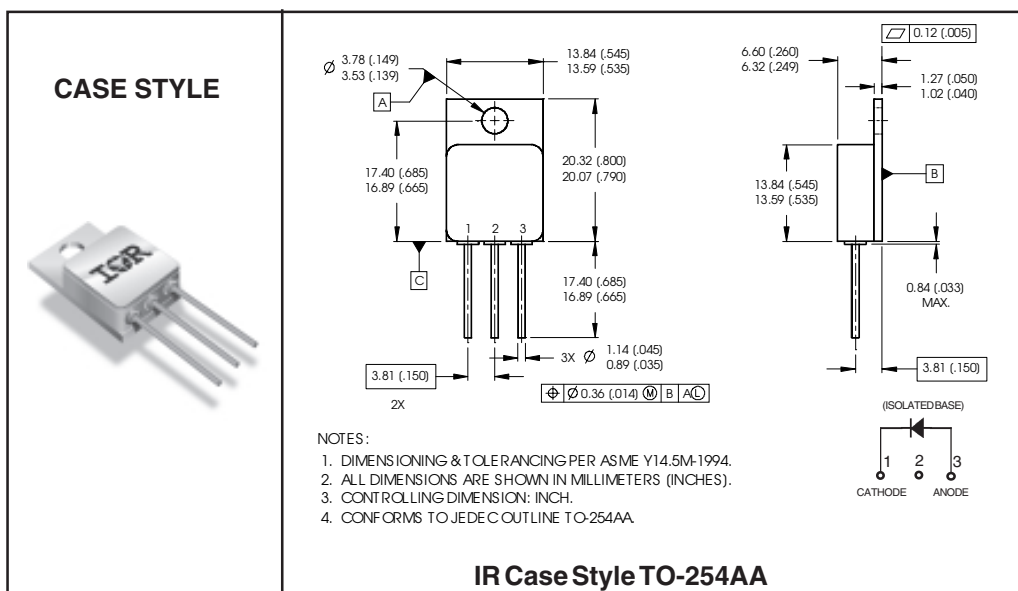
Major Ratings and Characteristics

Characteristics	22GQ100	Units
$I_{F(AV)}$ Rectangular waveform	30	A
V_{RRM}	100	V
I_{FSM} @ $t_p = 8.3ms$ half-sine	400	A
V_F @ 30Apk, $T_J = 125^\circ C$	0.90	V
T_J, T_{stg} Operating and storage	-55 to 150	$^\circ C$

Description/Features

The 22GQ100 Schottky rectifier has been expressly designed to meet the rigorous requirements of hi-rel environments. It is packaged in the hermetic isolated TO-254AA package. The device's forward voltage drop and reverse leakage current are optimized for the lowest power loss and the highest circuit efficiency for typical high frequency switching power supplies and resonant power converters. Full MIL-PRF-19500 quality conformance testing is available on source controlled drawings to TX, TXV and S levels.

- Hermetically Sealed
- High Frequency Operation
- Guard Ring for Enhanced Ruggedness and Long Term Reliability
- Schottky Diodes Connected in Series
- Electrically Isolated



Voltage Ratings

Part number	22GQ100
V_R Max. DC Reverse Voltage (V)	100
V_{RWM} Max. Working Peak Reverse Voltage (V)	

Absolute Maximum Ratings

Parameters	Limits	Units	Conditions
$I_{F(AV)}$ Max. Average Forward Current See Fig. 5	30	A	50% duty cycle @ $T_C = 100^\circ\text{C}$, rectangular waveform
I_{FSM} Max. Peak One Cycle Non - Repetitive Surge Current	400	A	@ $t_p = 8.3$ ms half-sine

Electrical Specifications

Parameters	Limits	Units	Conditions	
V_{FM} Max. Forward Voltage Drop See Fig. 1 ①	1.1	V	@ 20A	$T_J = 25^\circ\text{C}$
	1.6	V	@ 35A	
	0.9	V	@ 20A	$T_J = 125^\circ\text{C}$
	1.3	V	@ 35A	
I_{RM} Max. Reverse Leakage Current See Fig. 2 ①	0.8	mA	$T_J = 25^\circ\text{C}$	$V_R = \text{rated } V_R$
	45	mA	$T_J = 125^\circ\text{C}$	
C_T Max. Junction Capacitance	1400	pF	$V_R = 5V_{DC}$ (1MHz, 25°C)	
L_S Typical Series Inductance	7.8	nH	Measured from anode lead to cathode lead 6mm (0.025 in.) from package	

Thermal-Mechanical Specifications

Parameters	Limits	Units	Conditions
T_J Max. Junction Temperature Range	-55 to 150	$^\circ\text{C}$	
T_{stg} Max. Storage Temperature Range	-55 to 150	$^\circ\text{C}$	
R_{thJC} Max. Thermal Resistance, Junction to Case	1.0	$^\circ\text{C}/\text{W}$	DC operation See Fig. 4
wt Weight (Typical)	9.3	g	
Die Size	200X200	mils	
Case Style	TO-254AA		

① Pulse Width < 300 μs , Duty Cycle < 2%

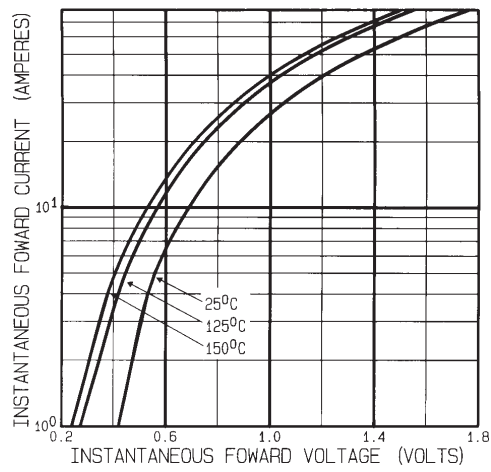


Fig. 1 - Max. Forward Voltage Drop Characteristics

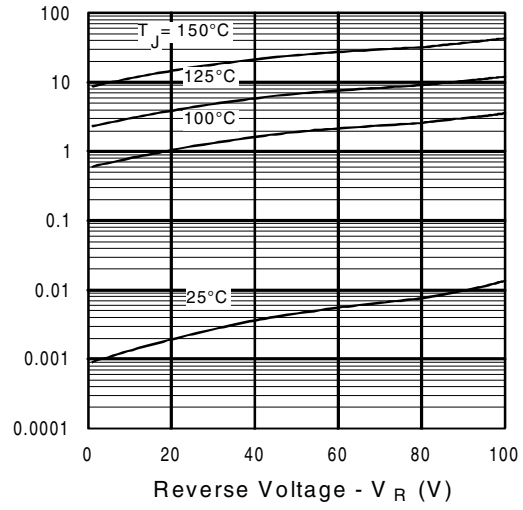


Fig. 2 - Typical Values of Reverse Current Vs. Reverse Voltage

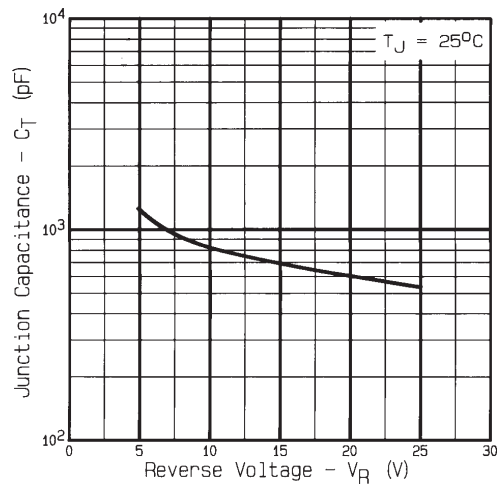


Fig. 3 - Typical Junction Capacitance Vs. Reverse Voltage

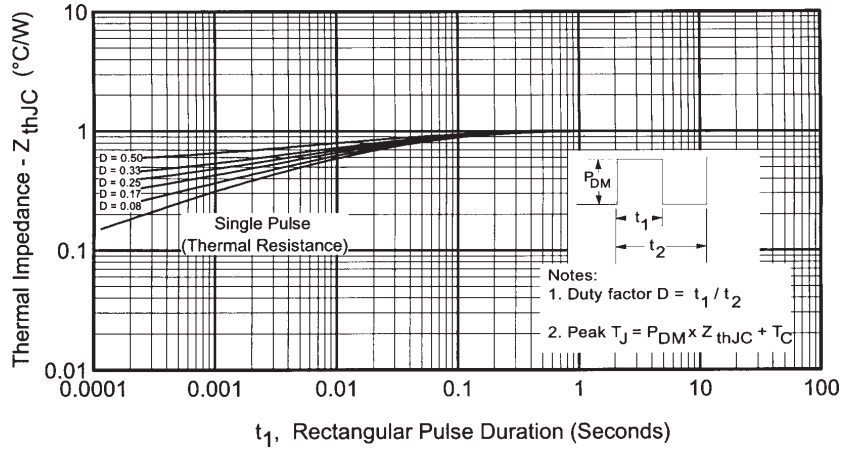


Fig. 4 - Max. Thermal Impedance Z_{thJC} Characteristics

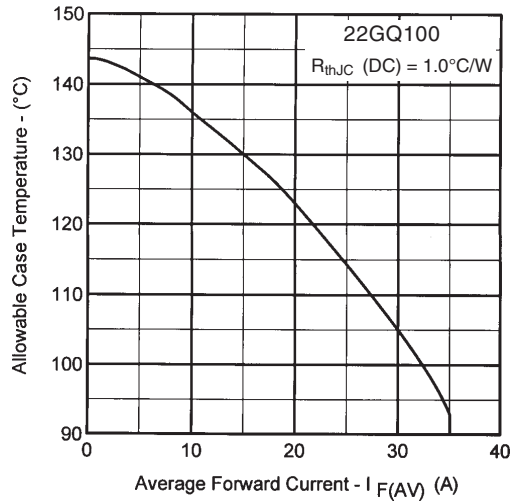


Fig. 5 - Max. Allowable Case Temperature Vs. Average Forward Current



LittleDiode supplies new, hard to find or obsolete electronic components and semiconductors all over the world.

With over two million different components listed you are sure to find the part you need.

Feel free to visit us today at our online store:

LittleDiode.com

Looking forward to providing you with the best possible service.