

# RECTIFIERS

## High Efficiency, ESP, 2.5 Amp to 20 Amp

1N5802-1N5806  
1N5807-1N5811  
1N5812-1N5816

### FEATURES

- Exceptional Efficiency
- Low Forward Voltage
- Extremely Fast Reverse Recovery Time
- Extremely Fast Forward Recovery Time
- High Surge
- Small Size
- Rugged, High Current Termination
- Radiation Tolerant

### DESCRIPTION

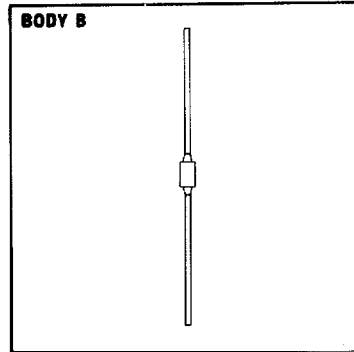
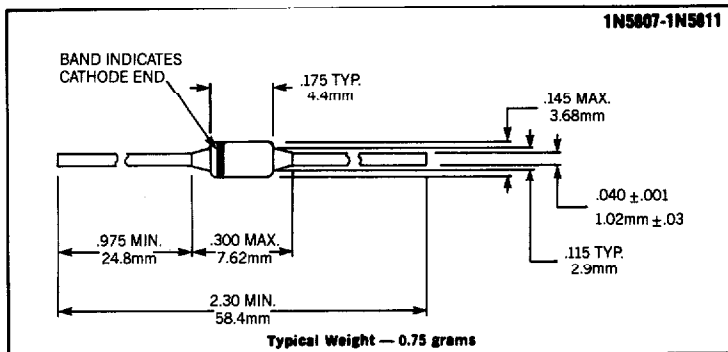
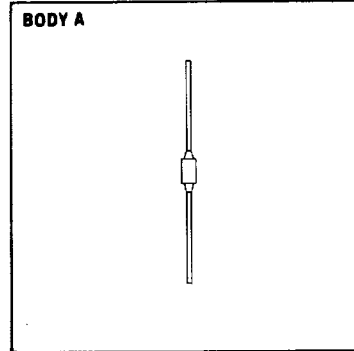
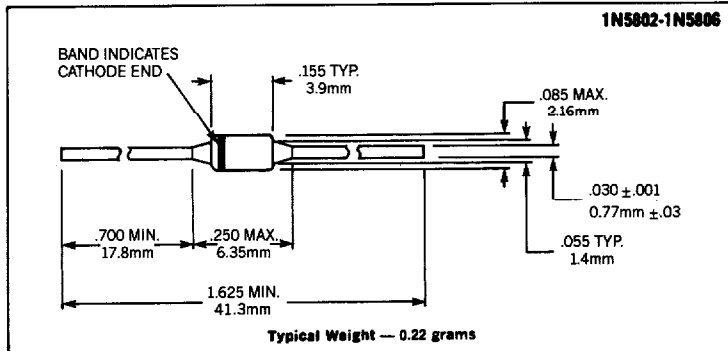
This series of High Efficiency Power Rectifiers allows circuit designers to design high current, high frequency supplies to 500 kHz with very low diode losses. The high forward surge capability makes these devices useful in protective circuits.

### ABSOLUTE MAXIMUM RATINGS

Peak Inverse Voltage	2.5 Amp Series	6 Amp Series	20 Amp Series
50V	1N5802	1N5807	1N5812
75V	1N5803	1N5808	1N5813
100V	1N5804	1N5809	1N5814
125V	1N5805	1N5810	1N5815
150V	1N5806	1N5811	1N5816

	2.5 AMP SERIES	6.0 AMP SERIES	20 AMP SERIES
Maximum Average D.C. Output Current	2.5A	6.0A	—
@ $T_L = 75^\circ\text{C}$ , $L = 3\mu\text{s}$			20.0A
@ $T_C = 100^\circ\text{C}$			
Non-Repetitive Sinusoidal			
Surge Current (8.3ms)	35A	125A	250A
Operating and Storage Temperature Range	-65°C to +175°C		
Thermal Resistance	2.5A and 6A Series	See Lead Temperature Derating Curve	
	20A Series	3.0°C/W	

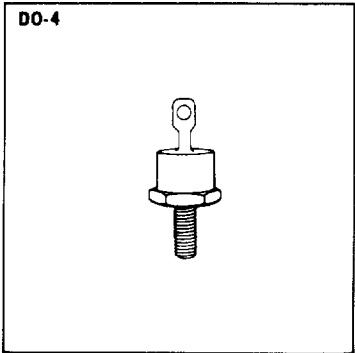
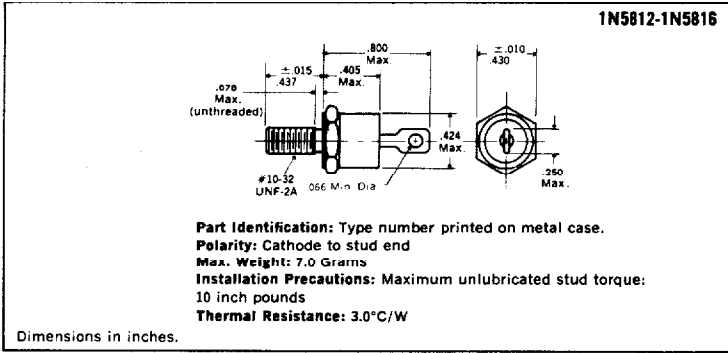
### MECHANICAL SPECIFICATIONS



THESE DEVICES ALSO AVAILABLE IN SURFACE MOUNT PACKAGE. SEE SECTION 10

**Microsemi Corp.**  
**Watertown**  
The diode experts

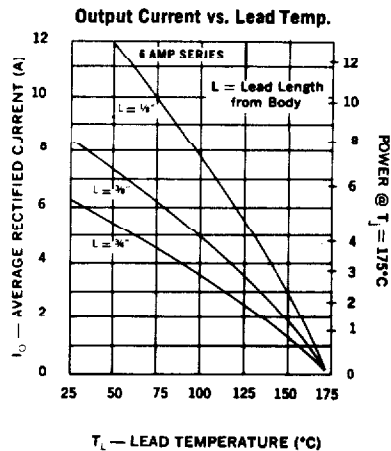
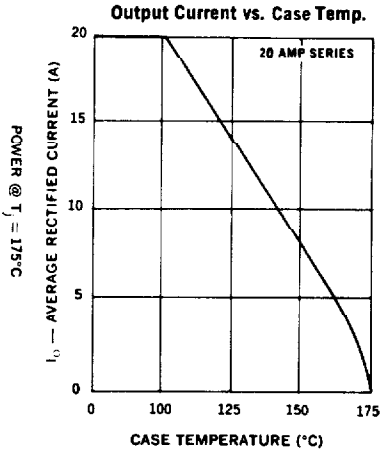
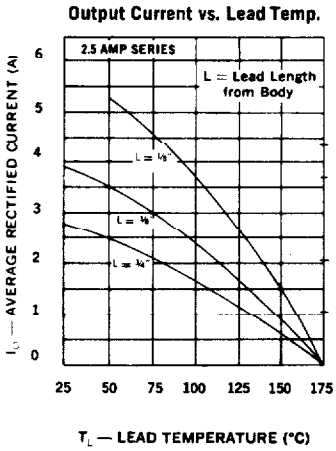
**MECHANICAL SPECIFICATIONS**



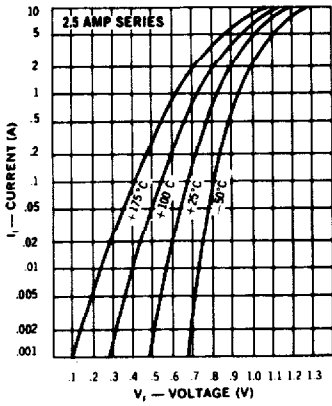
**ELECTRICAL SPECIFICATIONS (at 25°C unless noted)**

Type	PIV	Maximum Forward Voltage Drop*	Leakage Current @ PIV		Maximum Reverse Recovery Time $t_{rr}$ $t_{REC}$	Typical Forward Recovery Time @ 1A Recover to 1V	Typical Forward Recovery Voltage @ 1A $t_r = 8ns$	Typical Junction Capacitance @ -10V
			25°C	100°C				
1N5802	50V	.875 @ 1A	1μA	50μA	25ns, 0.5A-0.5A-0.05A	15ns	1.5V	15pf
1N5803	75V							
1N5804	100V							
1N5805	125V							
1N5806	150V							
1N5807	50V	.875 @ 4A	5μA	150μA	30ns, 1.0-1.0-0.1A	15ns	1.5V	45pf
1N5808	75V							
1N5809	100V							
1N5810	125V							
1N5811	150V							
1N5812	50V	.900 @ 10A	10μA	750μA	35ns, 1.0-1.0-0.1A	15ns	1.5V	200pf
1N5813	75V							
1N5814	100V							
1N5815	125V							
1N5816	150V							

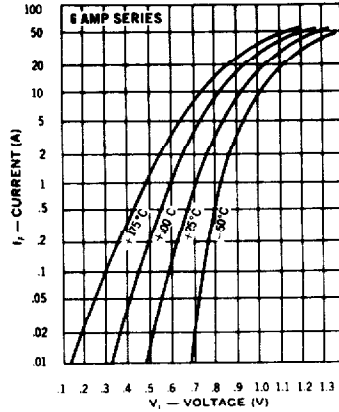
\*Pulse width = 250ms



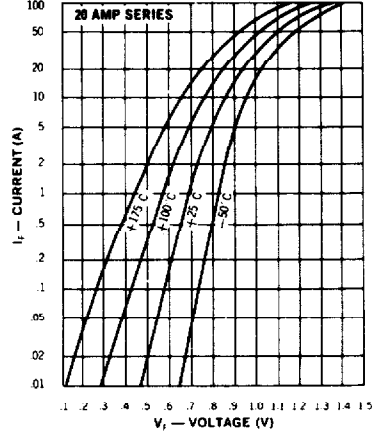
**Typical Forward Current vs. Forward Voltage**



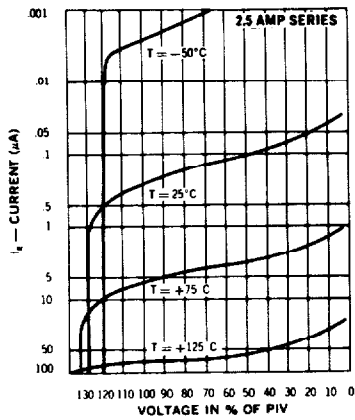
**Typical Forward Current vs. Forward Voltage**



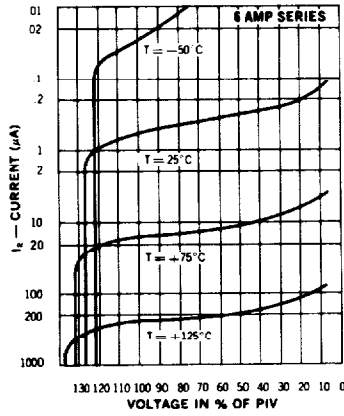
**Typical Forward Current vs. Forward Voltage**



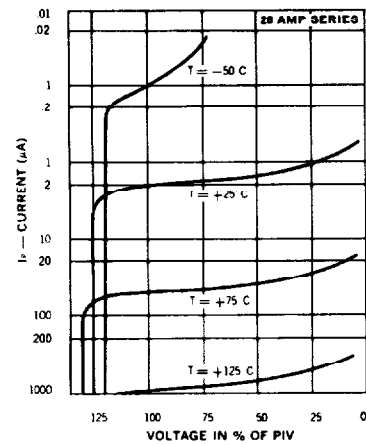
**Typical Reverse Current vs. Voltage**



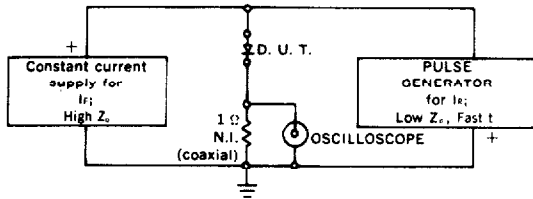
**Typical Reverse Current vs. Voltage**



**Typical Reverse Current vs. Voltage**

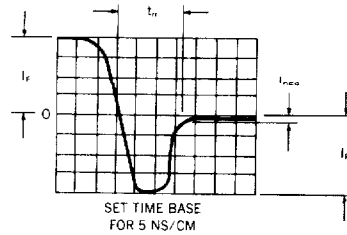


**Reverse-Recovery Time Circuit**

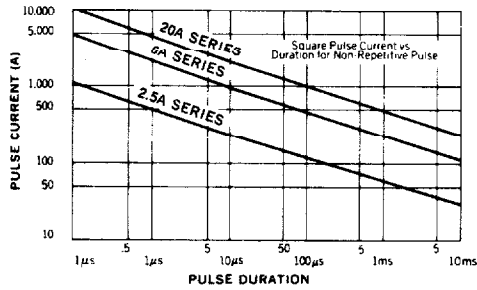


- NOTES:**  
 1. Oscilloscope: Rise time  $\leq 3$  ns; input impedance =  $50 \Omega$ .  
 2. Pulse Generator: Rise time  $\leq 8$  ns; source impedance  $10 \Omega$ .

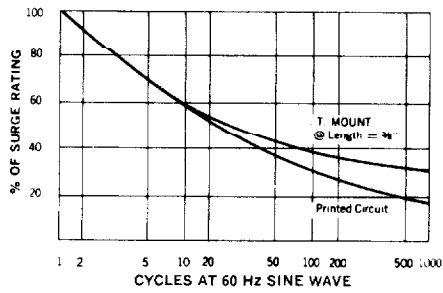
**Characteristic Waveform**



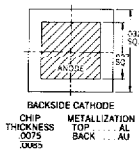
**Forward Pulse Current vs. Duration**



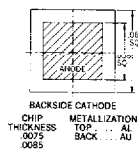
**Multiple Surge Current vs. Duration**



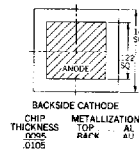
1N5804, 1N5806



1N5809, 1N5811



1N5814, 1N5816





LittleDiode supplies new, hard to find or obsolete electronic components and semiconductors all over the world.

With over two million different components listed you are sure to find the part you need.

Feel free to visit us today at our online store:

[LittleDiode.com](http://LittleDiode.com)

Looking forward to providing you with the best possible service.