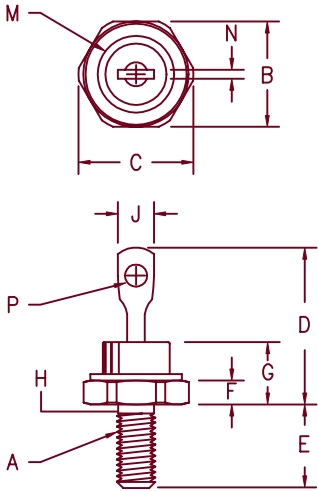


# Fast Recovery Rectifier

## 1N3879 — 1N3883



- Notes:
1. 10-32 UNF3A threads
  2. Full threads within 2 1/2 threads
  3. Standard Polarity: Stud is Cathode  
Reverse Polarity: Stud is Anode

Dim.	Inches		Millimeter		Notes
	Minimum	Maximum	Minimum	Maximum	
A	---	---	---	---	1
B	.424	.437	10.77	11.10	
C	---	.505	---	12.82	
D	---	.800	---	20.32	
E	.422	.453	10.72	11.50	
F	.075	.175	1.90	4.44	
G	---	.405	---	10.29	
H	.163	.189	4.14	4.80	2
J	---	.250	---	6.35	
M	---	.424	---	10.77	Dia.
N	.020	.065	.510	1.65	
P	.060	---	1.52	---	Dia.

D0203AA (D04)

Microsemi Catalog Number	Working Peak Reverse Voltage	Repetitive Peak Reverse Voltage
1N3879*	50V	50V
1N3880*	100V	100V
1N3881*	200V	200V
1N3882*	300V	200V
1N3883*	400V	400V

\*Add Suffix R For Reverse Polarity

- Fast Recovery Rectifier
- 175°C Junction Temperature
- VRRM 100 to 400 Volts
- 6 Amps Current Rating

### Electrical Characteristics

Average forward current	$I_F(AV)$ 6 Amps	$T_C = 100^\circ\text{C}$ , Square wave, $R_{\theta JC} = 2.0^\circ\text{C/W}$
Maximum surge current	$I_{FSM}$ 200 Amps	8.3 ms, half sine $T_C = 100^\circ\text{C}$
Max peak forward voltage	$V_{FM}$ 1.40 Volts	$I_{FM} = 20\text{A}$ $T_J = 25^\circ\text{C}^*$
Max peak reverse current	$I_{RM}$ 3 mA	$V_{RRM}$ , $T_J = 150^\circ\text{C}$
Max peak reverse current	$I_{RM}$ 15 $\mu\text{A}$	$V_{RRM}$ , $T_J = 25^\circ\text{C}$
Max reverse recovery time	$t_{RR}$ 200 ns	$I_F = 1\text{A dc}$ , $V_R = 30\text{V}$ , $di/dt = 25\text{A}/\mu\text{s}$ , $T_C = 55^\circ\text{C}$
Typical junction capacitance	$C_J$ 115 pF	$V_R = 10\text{V}$ , $f = 1\text{Mhz}$ , $T_J = 25^\circ\text{C}$

\*Pulse test: Pulse width 300  $\mu\text{sec}$ , Duty cycle 2%

### Thermal and Mechanical Characteristics

Storage temp range	$T_{STG}$	$-65^\circ\text{C}$ to $175^\circ\text{C}$
Operating junction temp range	$T_J$	$-65^\circ\text{C}$ to $150^\circ\text{C}$
Max thermal resistance	$R_{\theta JC}$	$2.0^\circ\text{C/W}$ Junction to case
Mounting torque		12-15 inch pounds
Weight		.16 ounces (5.0 grams)

# 1N3879 — 1N3883

Figure 1  
Typical Forward Characteristics

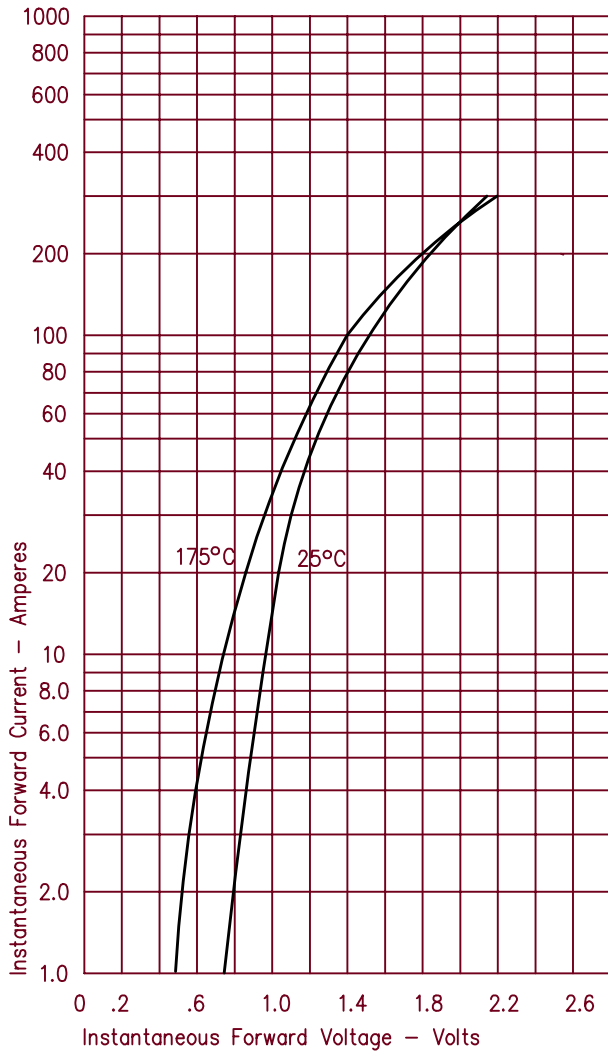


Figure 3  
Typical Junction Capacitance

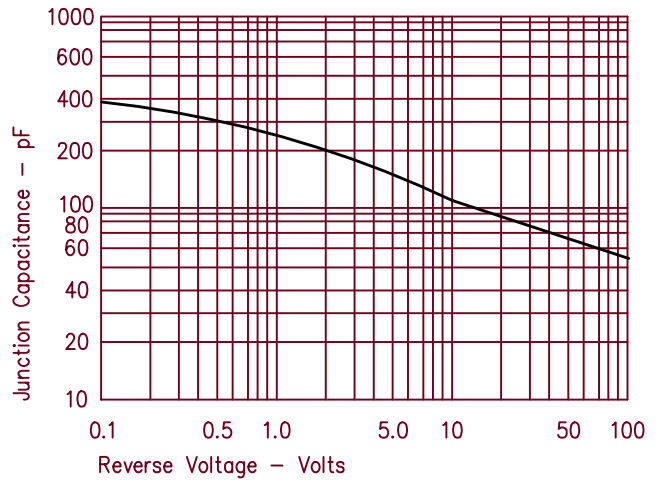


Figure 4  
Forward Current Derating

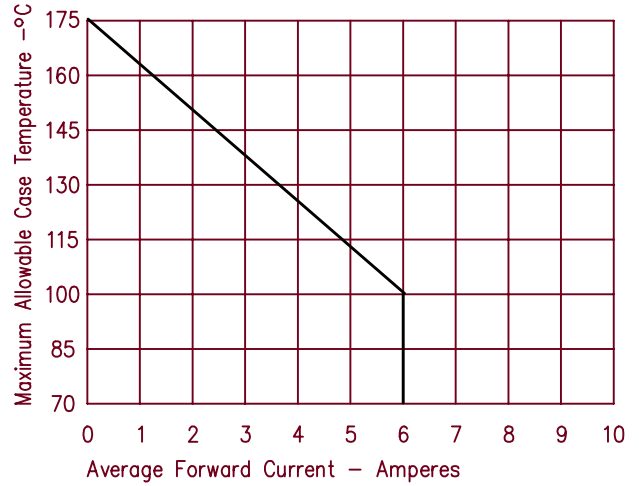
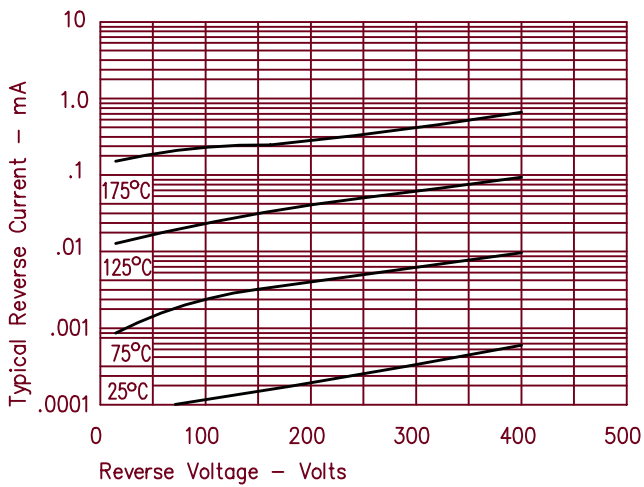


Figure 2  
Typical Reverse Characteristics





LittleDiode supplies new, hard to find or obsolete electronic components and semiconductors all over the world.

With over two million different components listed you are sure to find the part you need.

Feel free to visit us today at our online store:

[LittleDiode.com](http://LittleDiode.com)

Looking forward to providing you with the best possible service.